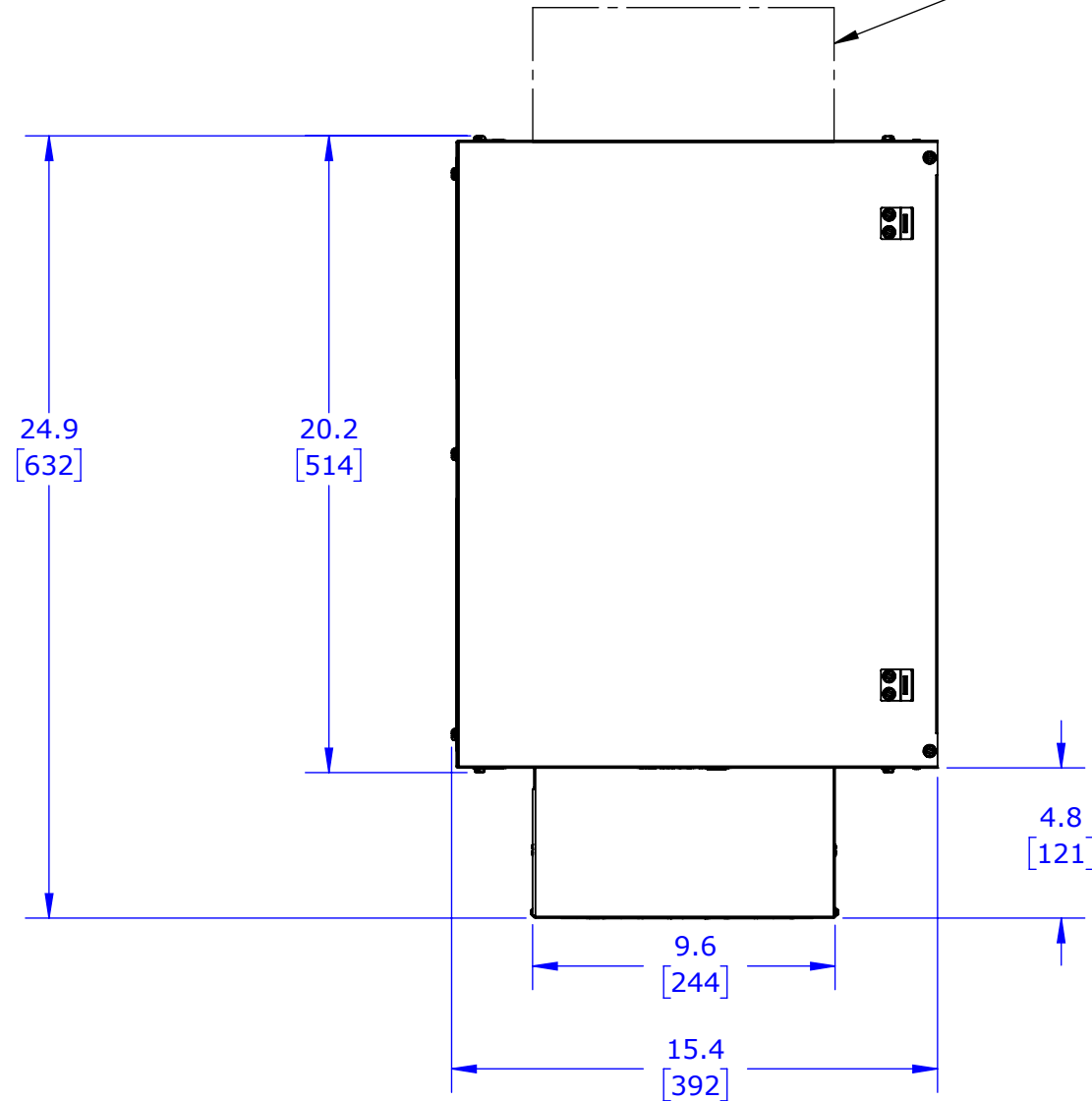


8 7 6 5 4 3 2 1

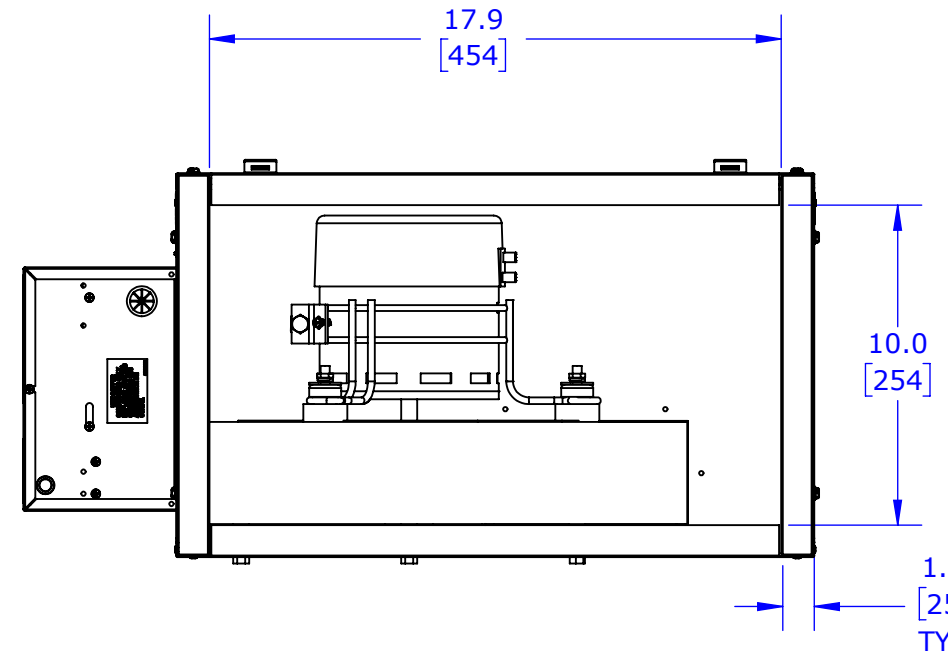
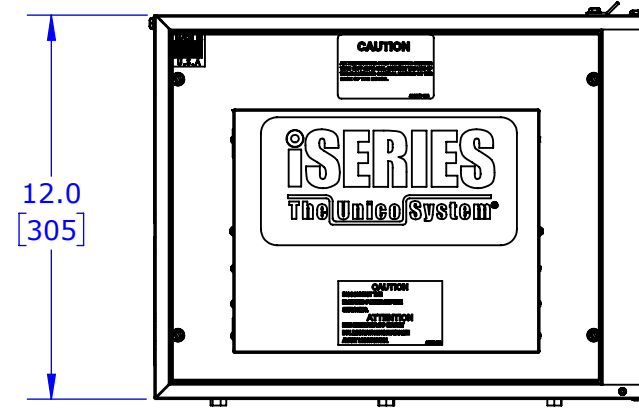
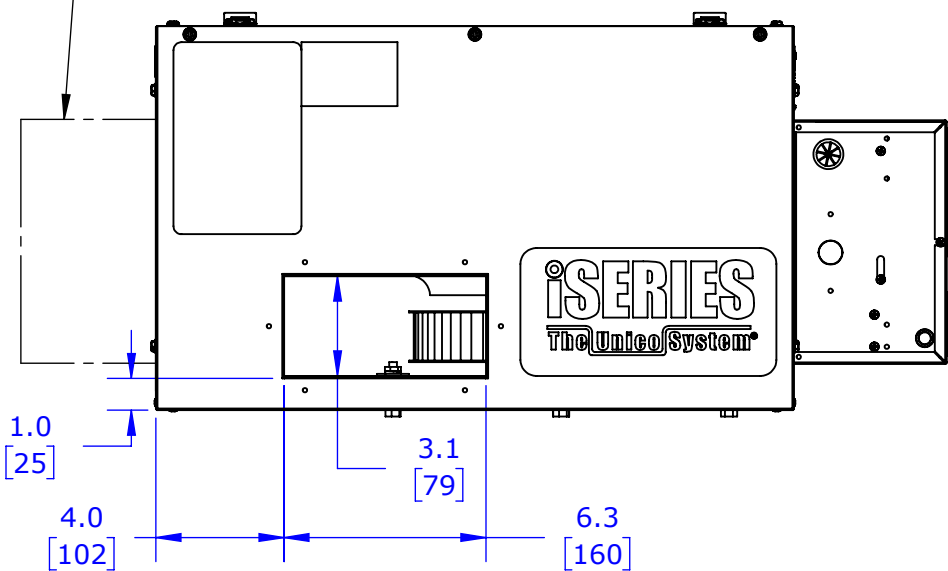
D  
C  
B  
A

D  
C  
B  
A

POSSIBLE CONTROL BOX LOCATION



POSSIBLE CONTROL BOX LOCATION



NOTE:  
 1. ALL DIMENSIONS ARE IN INCHES [MM] UNLESS OTHERWISE SPECIFIED

DATE	DWG. NO.
12/3/2018	M1218BL1-EA2

8 7 6 5 4 3 2 1