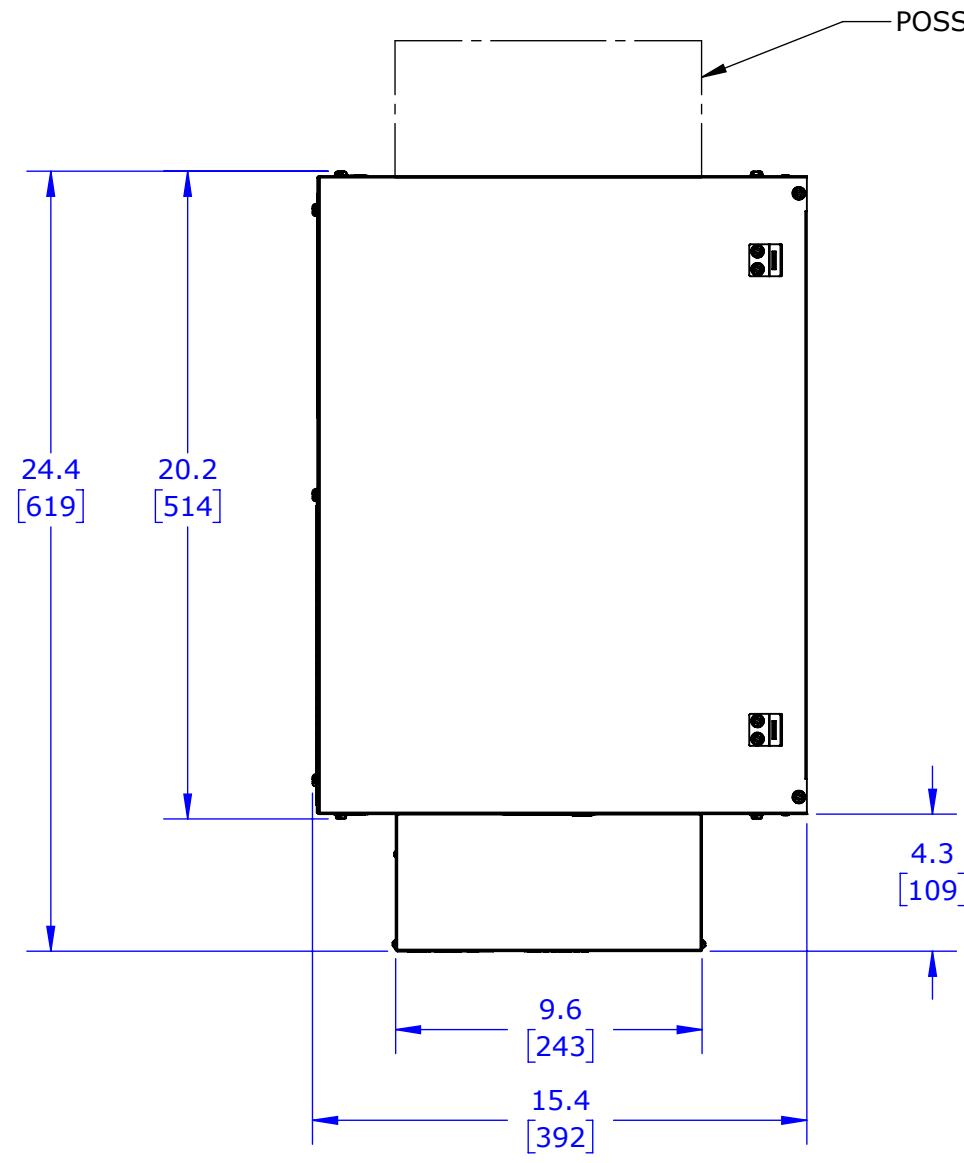


8 7 6 5 4 3 2 1

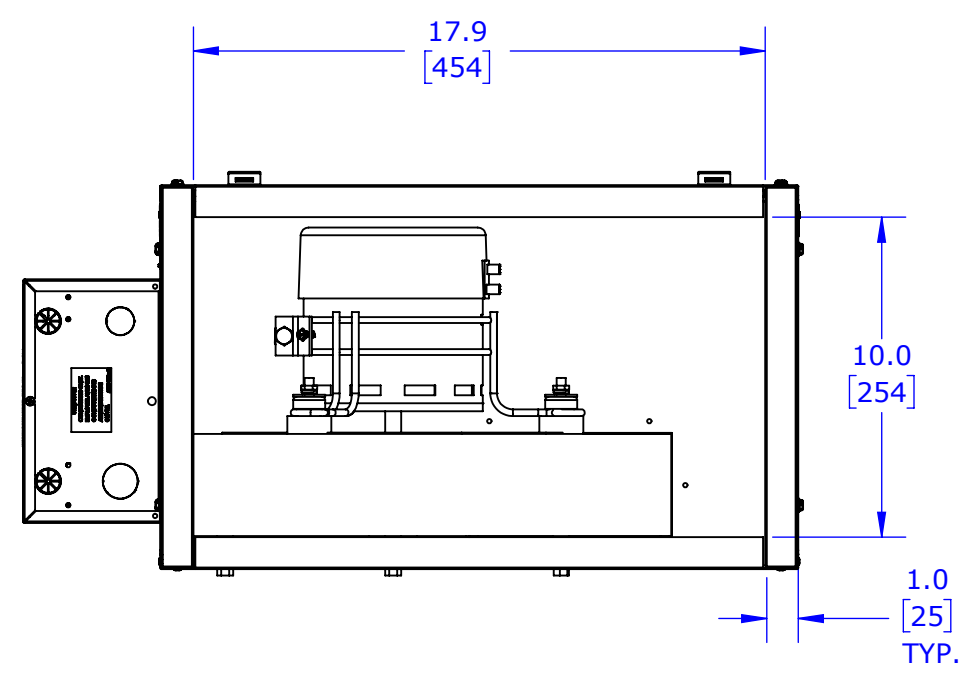
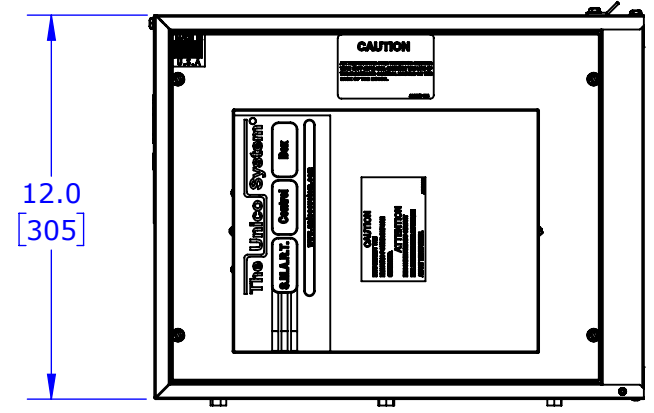
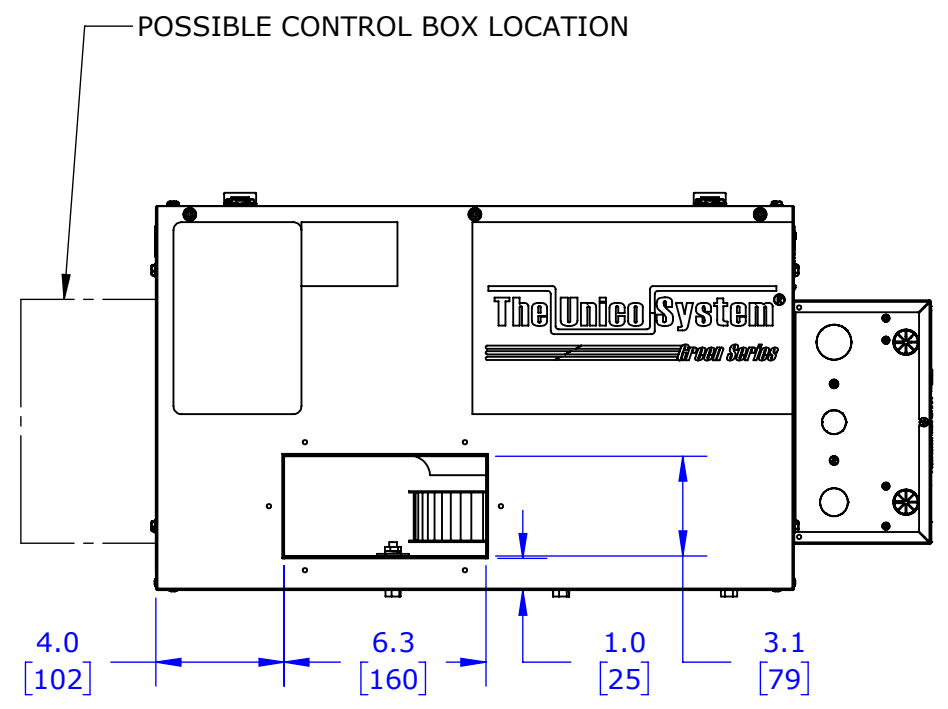
D  
C  
B  
A

D  
C  
B  
A

POSSIBLE CONTROL BOX LOCATION



POSSIBLE CONTROL BOX LOCATION



NOTE:  
 1. ALL DIMENSIONS ARE IN INCHES [MM] UNLESS OTHERWISE SPECIFIED

|           |              |
|-----------|--------------|
| DATE      | DWG. NO.     |
| 12/3/2018 | M1218BL1-EC2 |

8 7 6 5 4 3 2 1