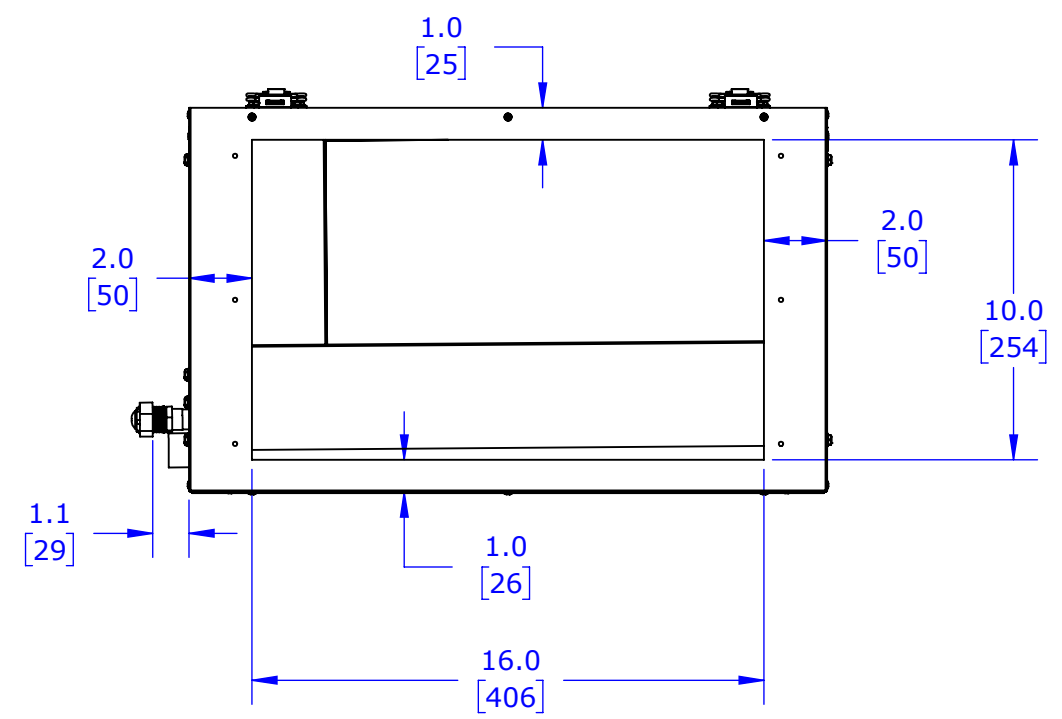
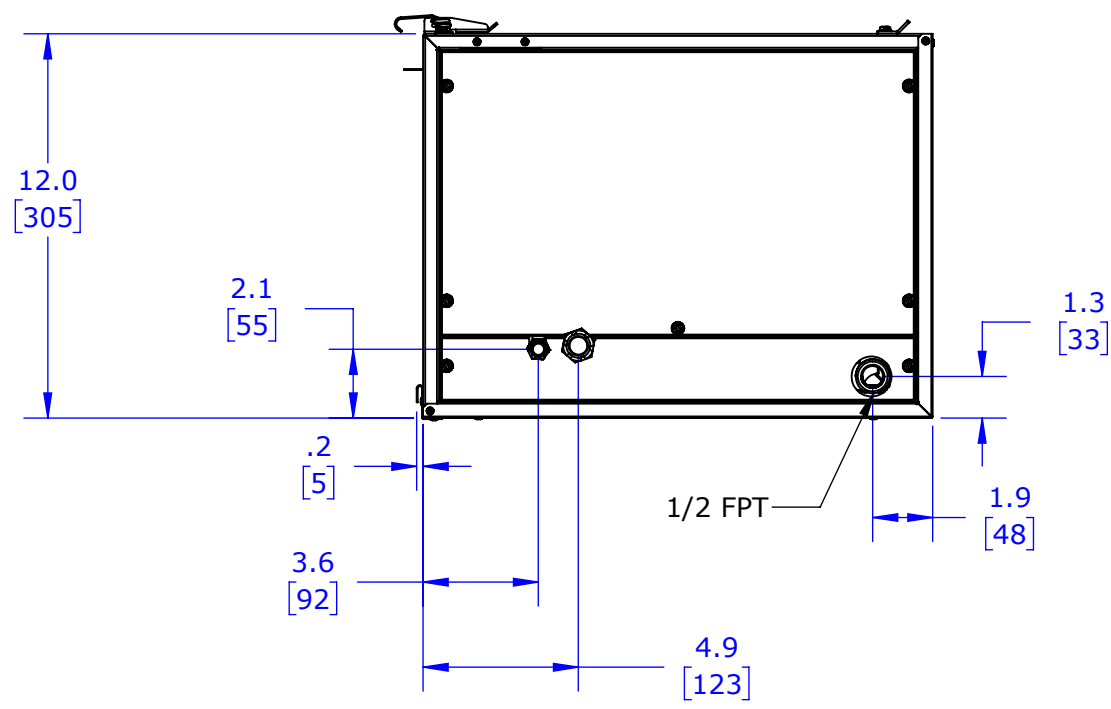
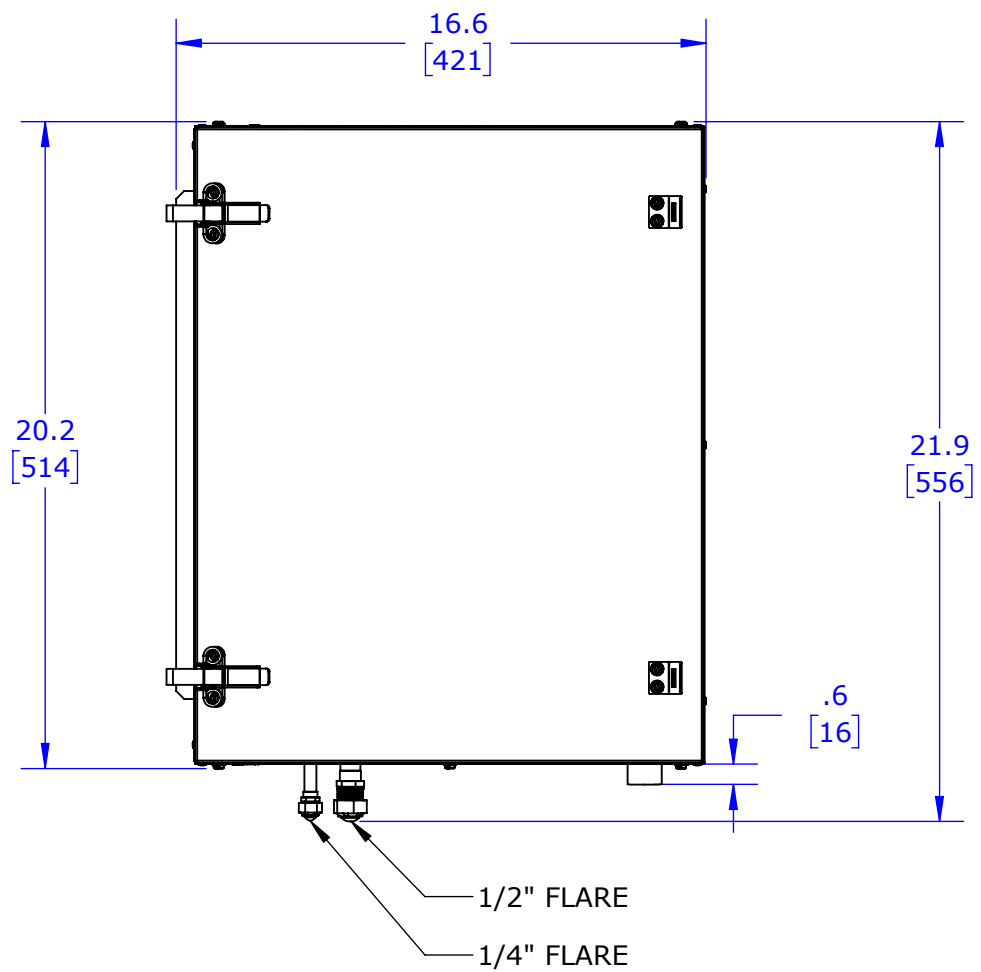


8 7 6 5 4 3 2 1

D  
C  
B  
A



NOTE:  
1. ALL DIMENSIONS ARE IN INCHES [MM] UNLESS OTHERWISE SPECIFIED

DATE	DWG. NO.
11/30/2018	M1218CL1-A

8 7 6 5 4 3 2 1