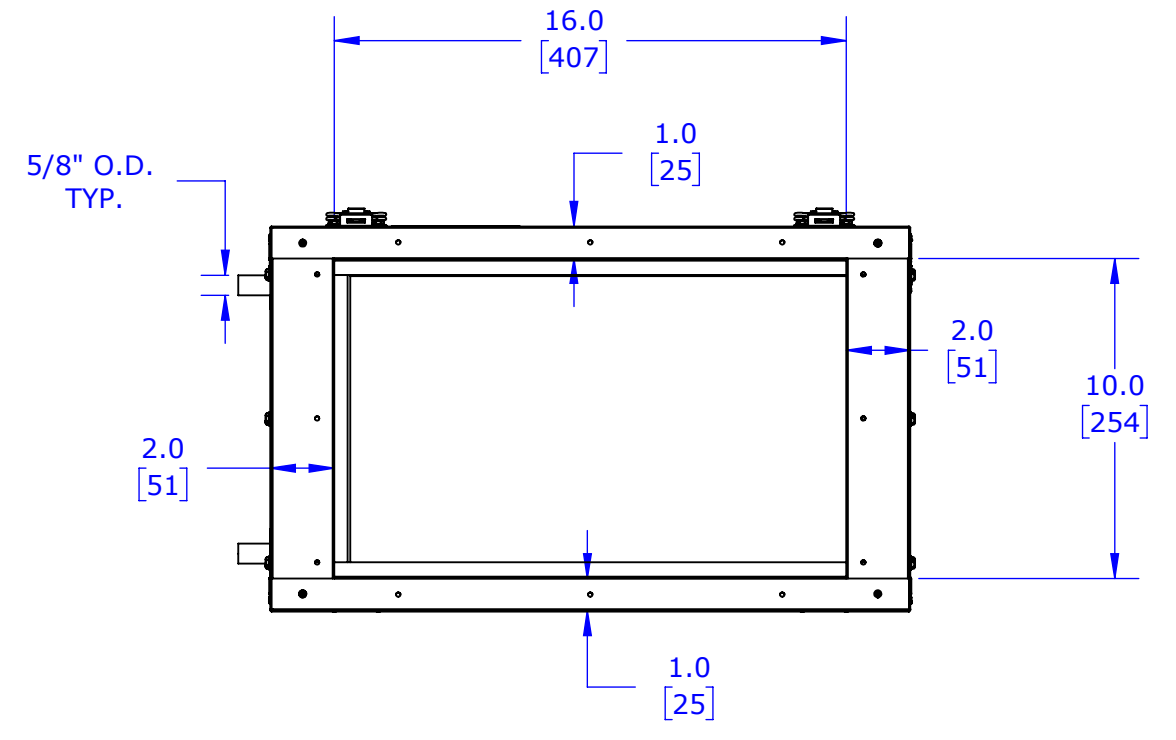
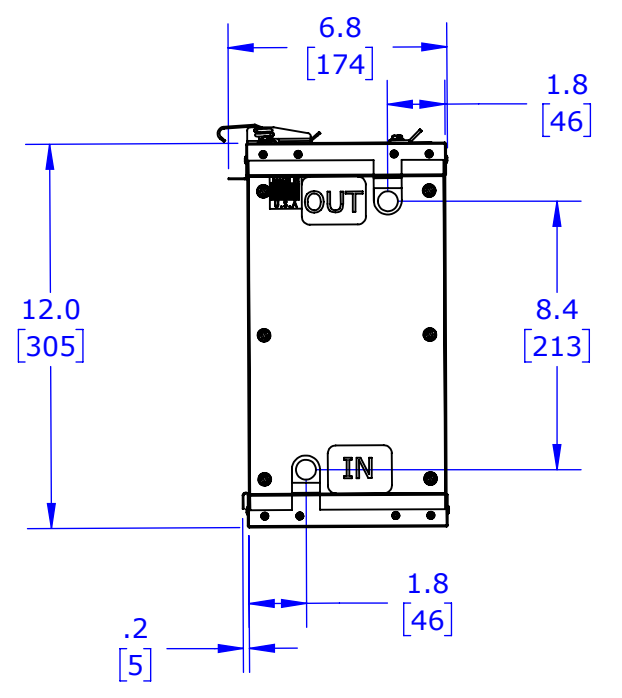
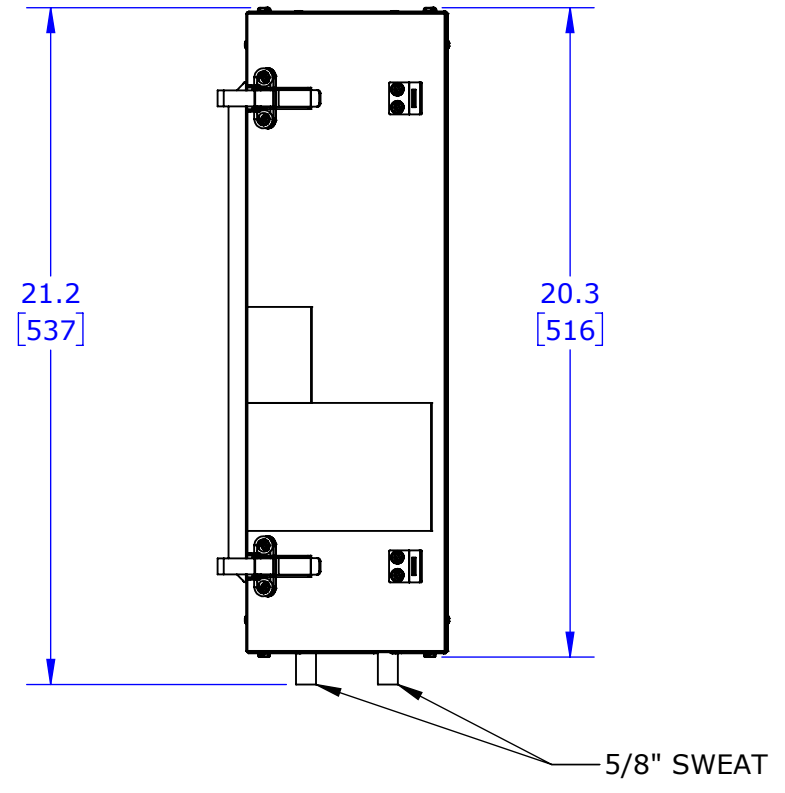


8 7 6 5 4 3 2 1

D
C
B
A



NOTE:
 1. ALL DIMENSIONS ARE IN INCHES [MM] UNLESS OTHERWISE SPECIFIED

DATE	DWG. NO.
4/11/2019	M1218CL1-H

8 7 6 5 4 3 2 1