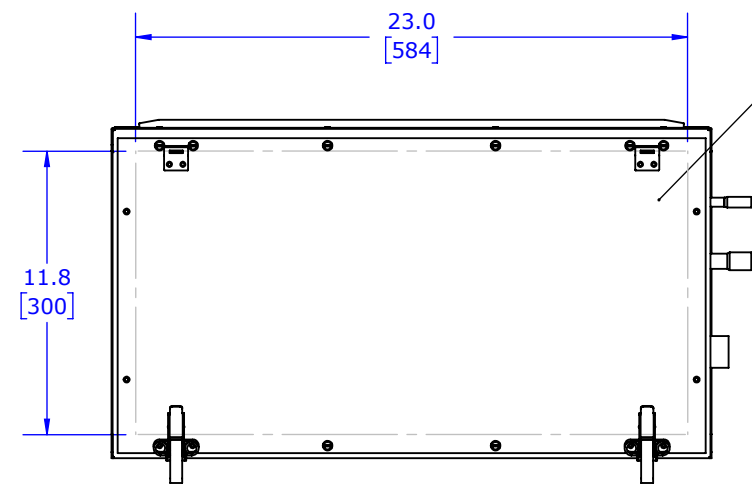


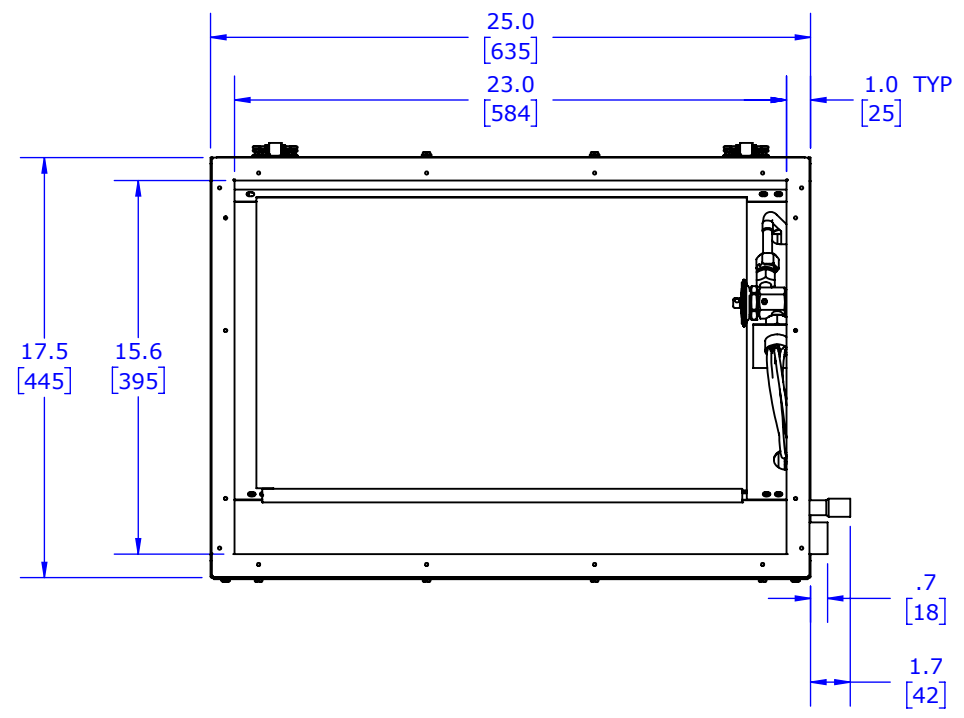
8 7 6 5 4 3 2 1

D  
C  
B  
A

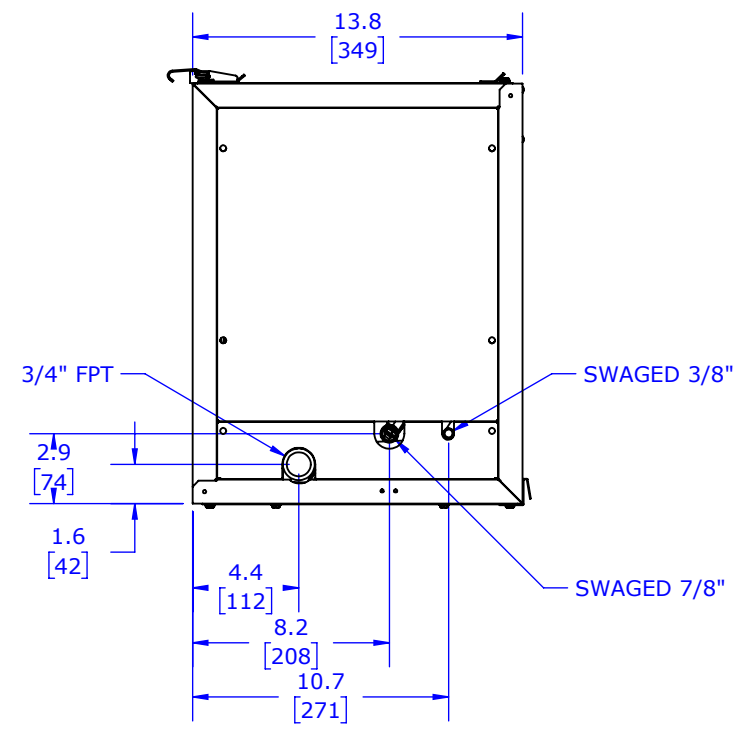
D  
C  
B  
A



OPTIONAL OPENING



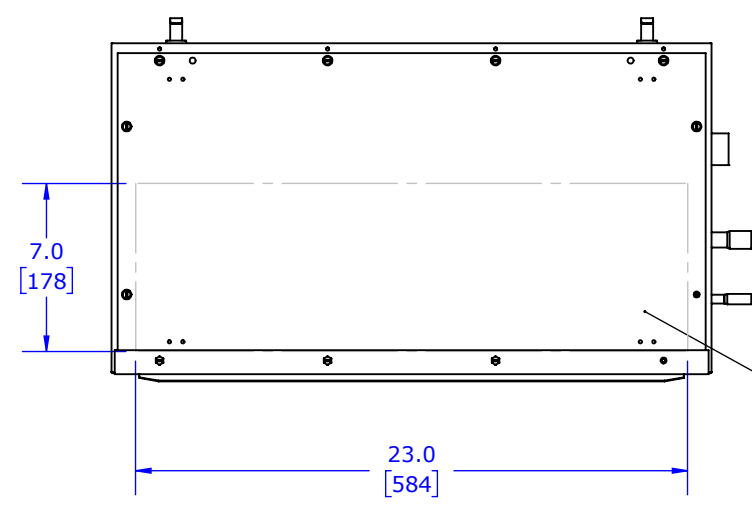
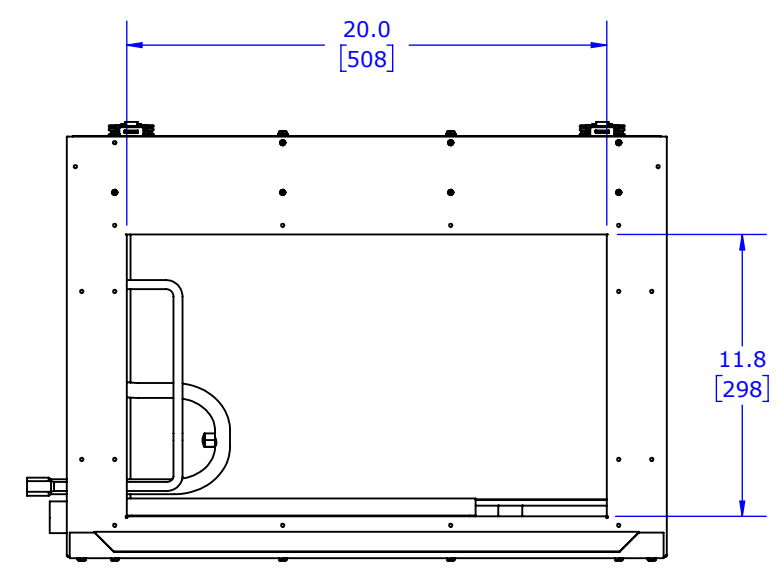
1.0 TYP [25]



3/4" FPT

SWAGED 3/8"

SWAGED 7/8"



OPTICAL OPENING

NOTES:  
1. ALL DIMENSIONS ARE IN INCHES [MM] UNLESS OTHERWISE SPECIFIED.

DATE <b>10/4/17</b>	MODEL NO. <b>M2430CL1-E</b>
------------------------	--------------------------------

8 7 6 5 4 3 2 1