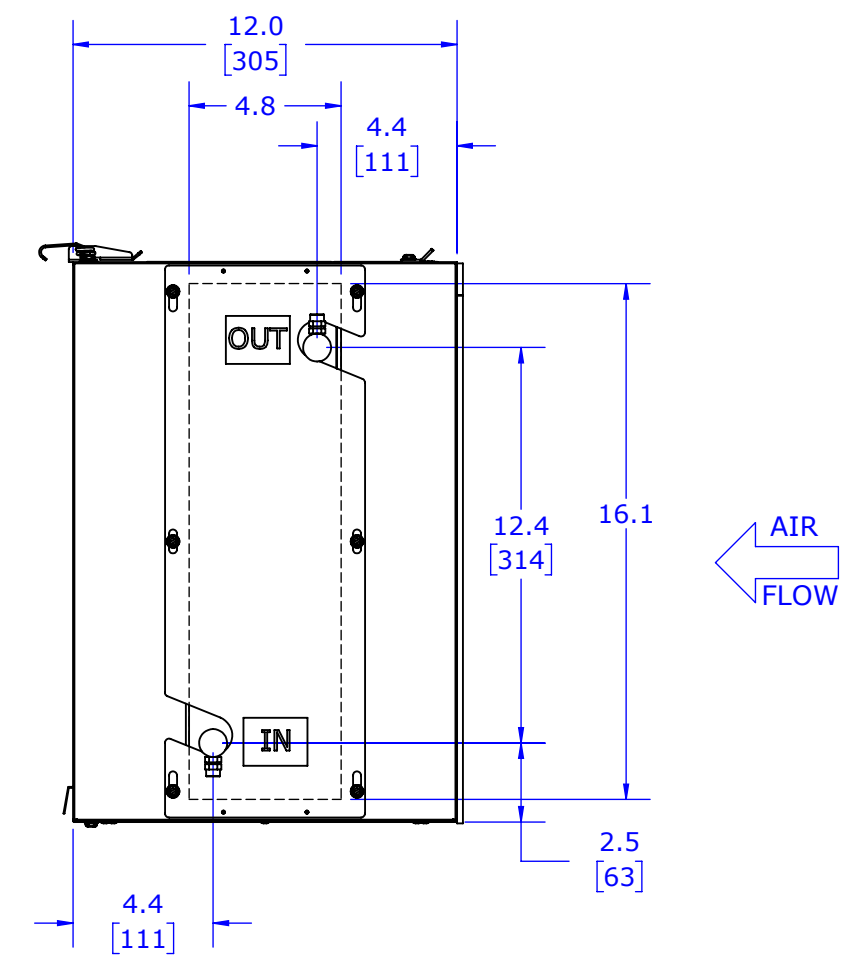
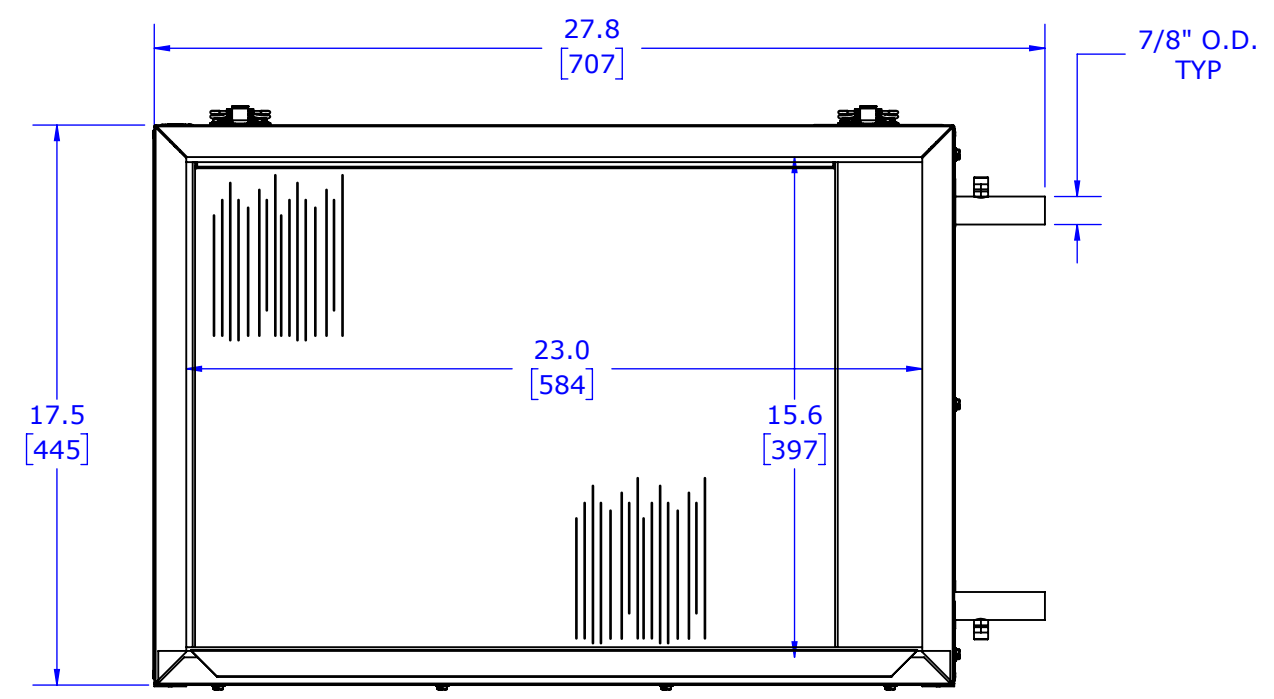
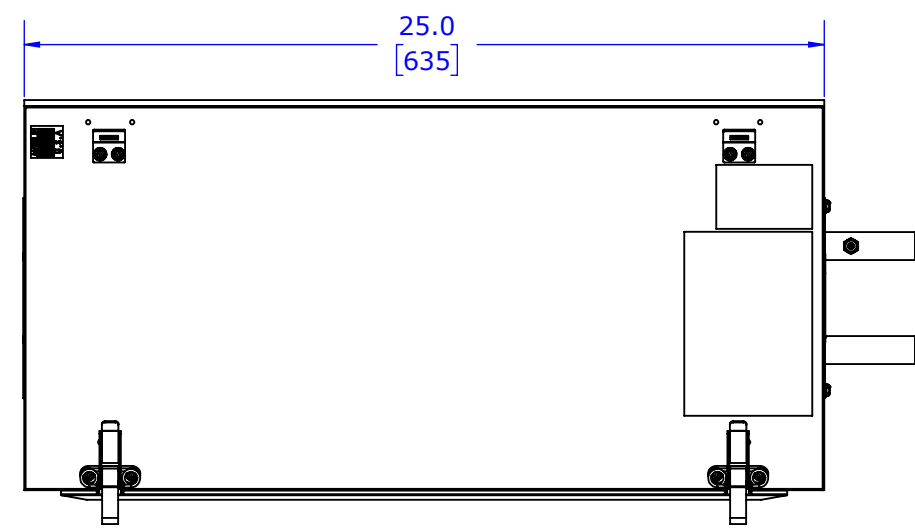


8 7 6 5 4 3 2 1

D
C
B
A

D
C
B
A



NOTES:
1. ALL DIMENSIONS ARE IN INCHES [MM] UNLESS OTHERWISE SPECIFIED.

DATE 10/12/17	MODEL NO. M2430CL1-H
------------------	-------------------------

8 7 6 5 4 3 2 1