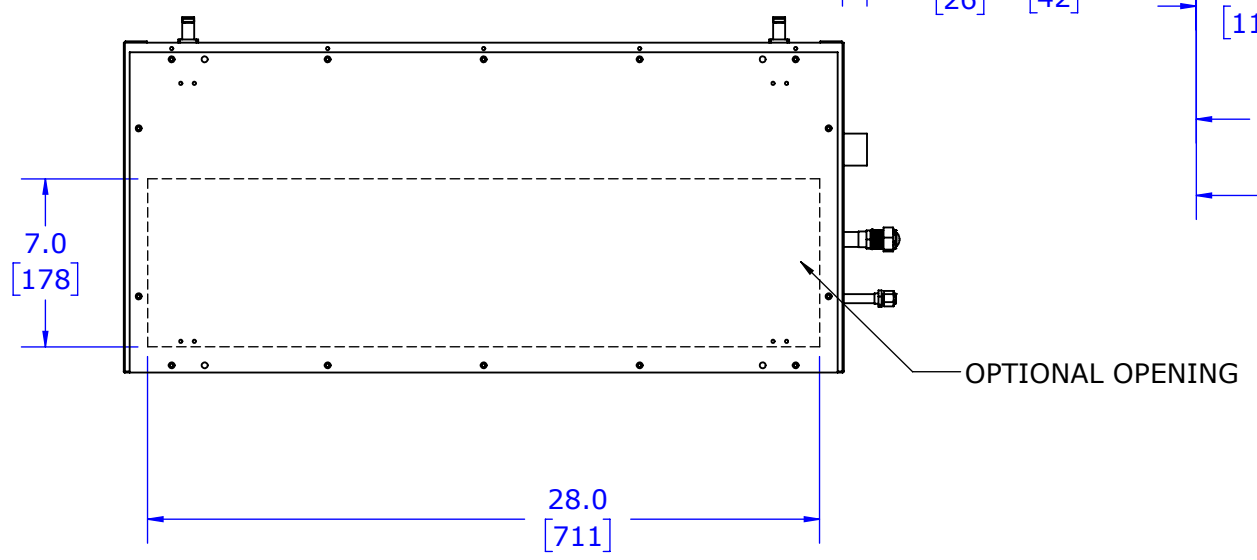
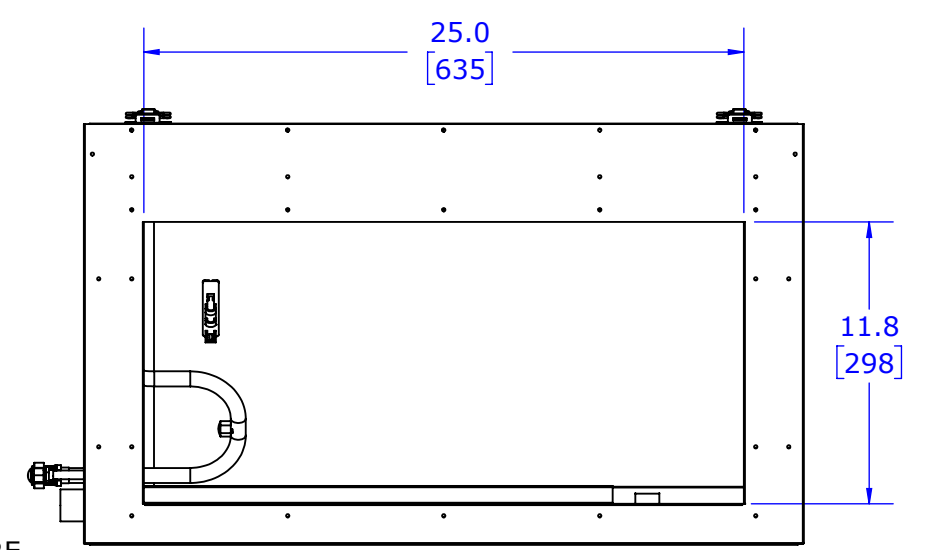
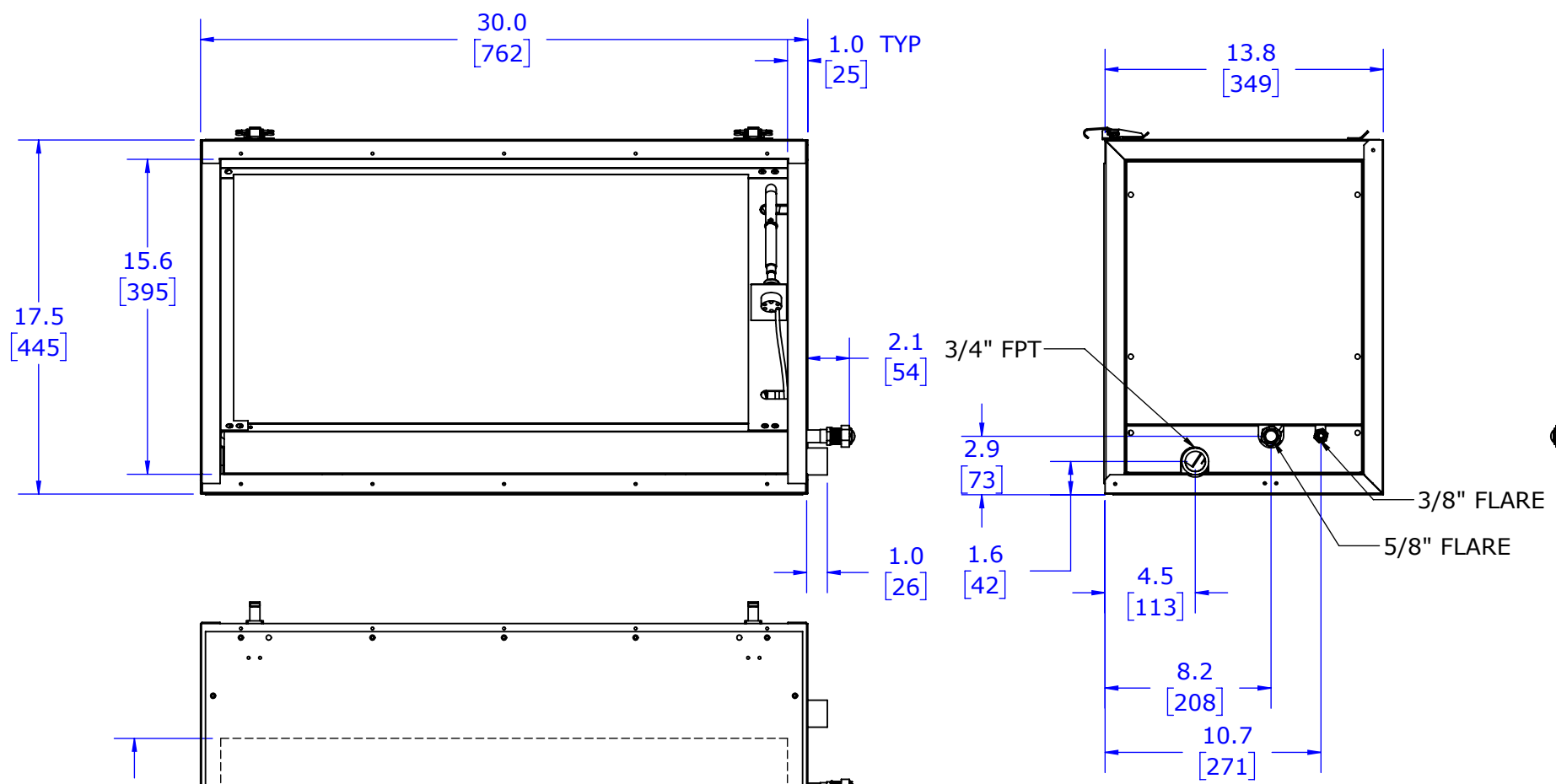
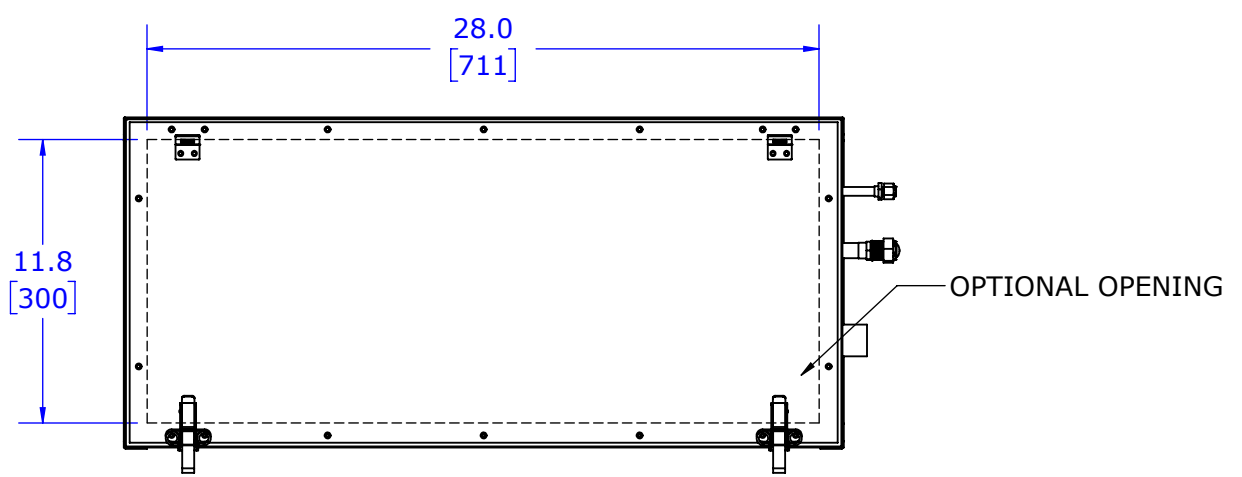


8 7 6 5 4 3 2 1

D  
C  
B  
A



NOTES:  
1. ALL DIMENSIONS ARE IN INCHES [MM] UNLESS OTHERWISE SPECIFIED.

|                  |                         |
|------------------|-------------------------|
| DATE<br>10/12/17 | MODEL NO.<br>M3036CL1-A |
|------------------|-------------------------|

8 7 6 5 4 3 2 1