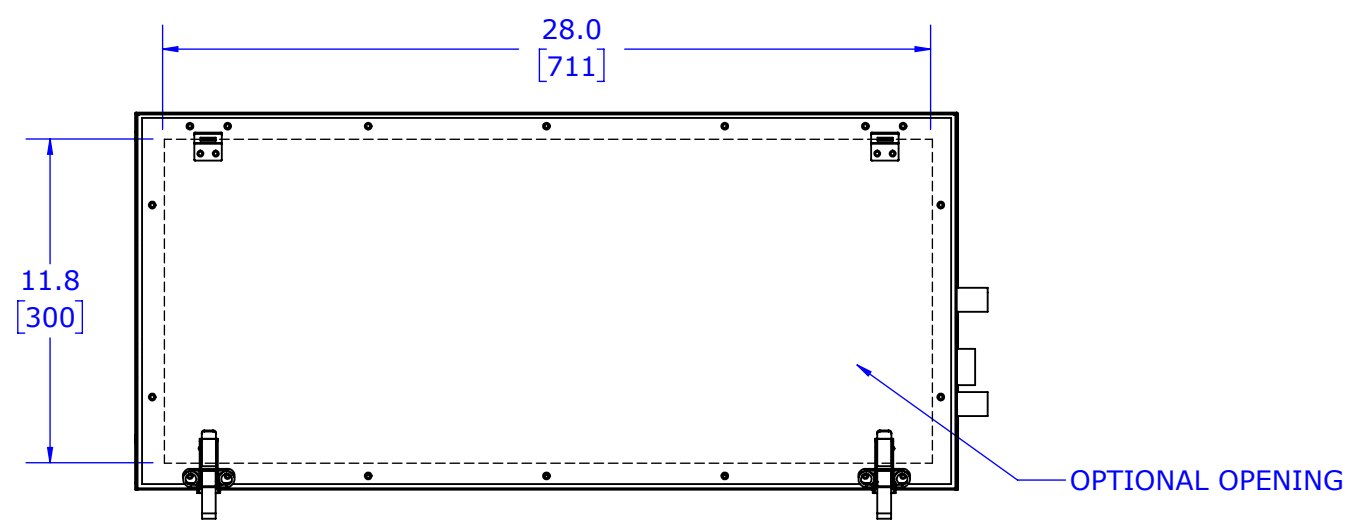


8 7 6 5 4 3 2 1

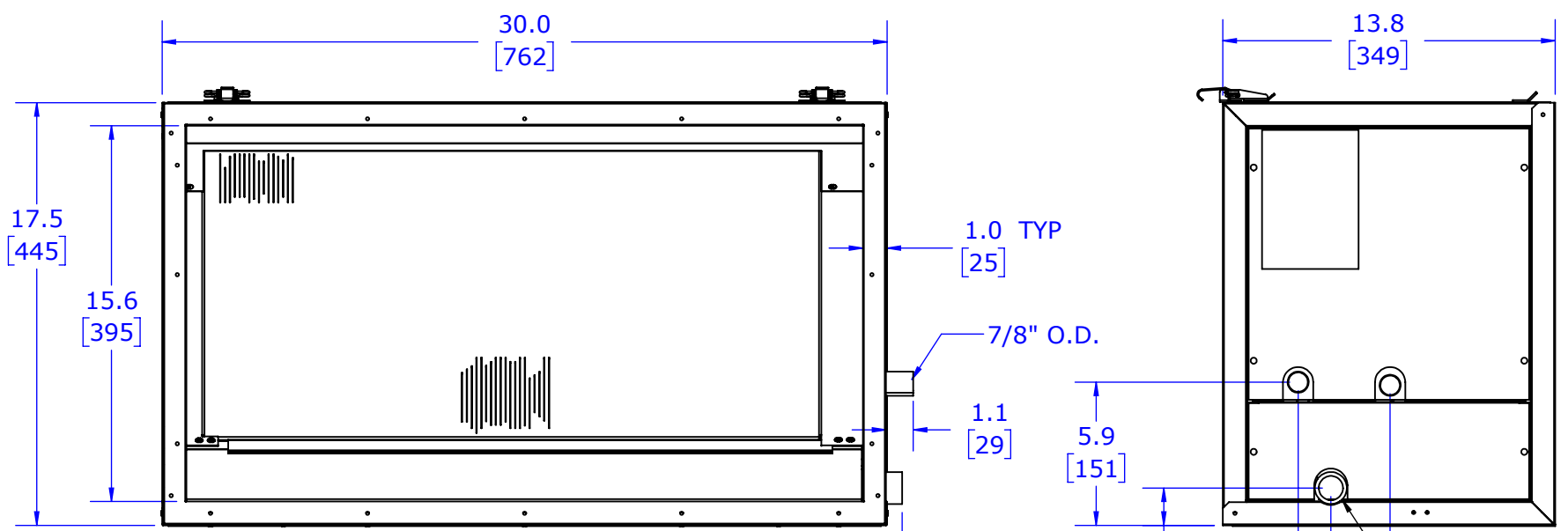
D

D



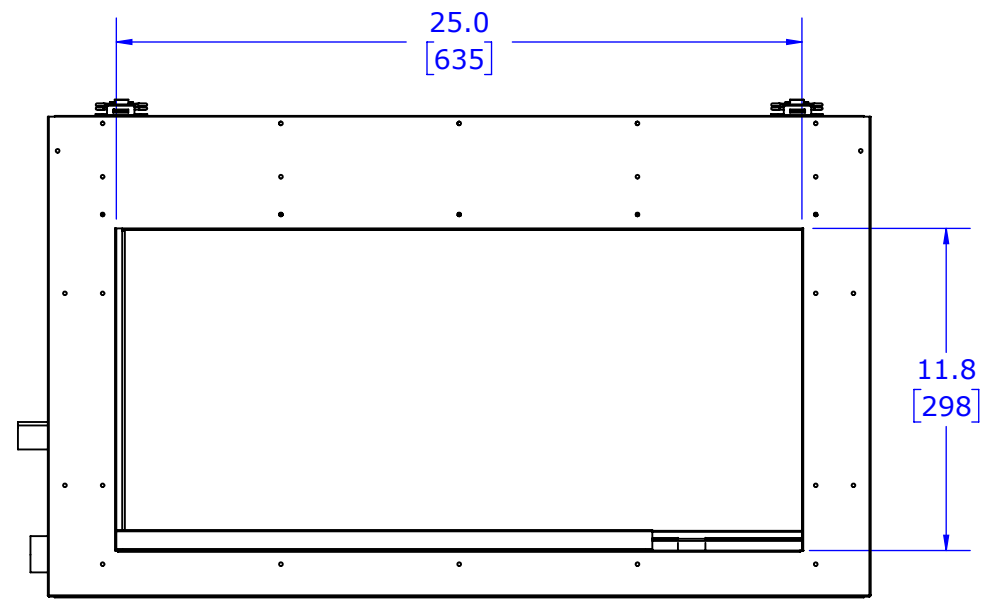
C

C



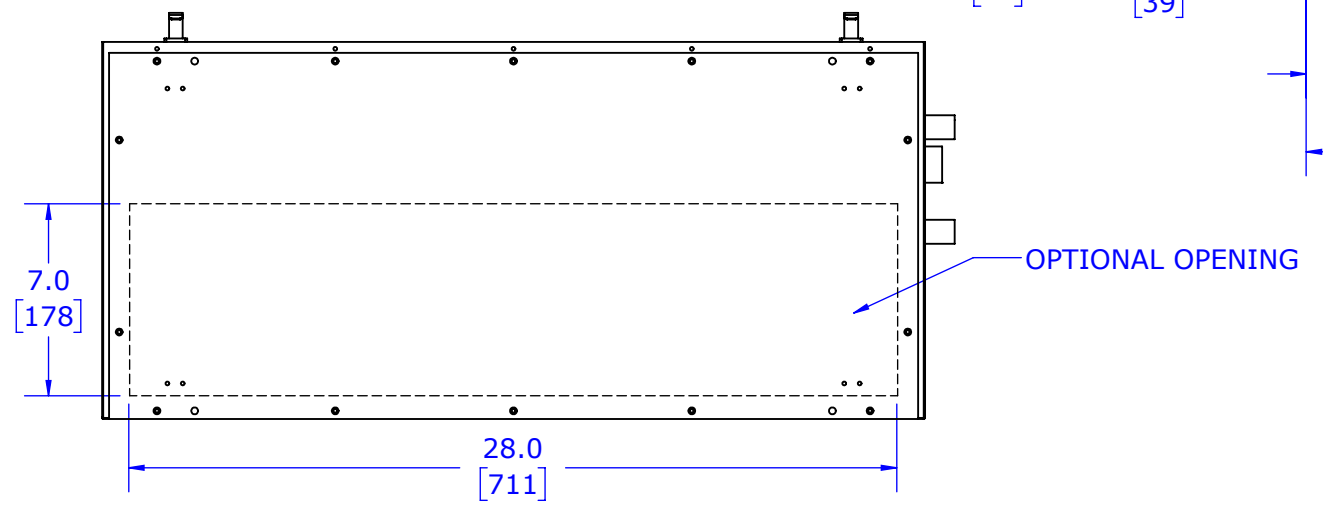
B

B



A

A



8 7 6 5 4 3 2 1

DATE	MODEL NO.
10/12/17	M3036CL1-C