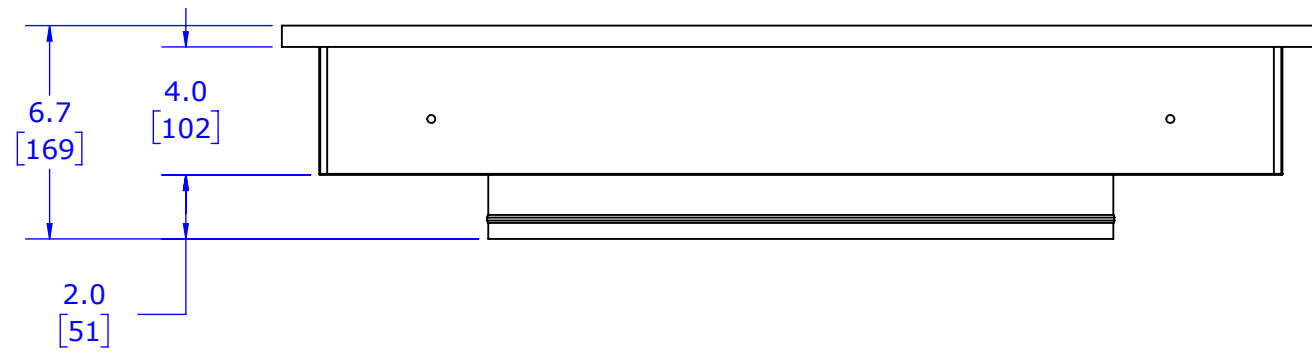


8 7 6 5 4 3 2 1

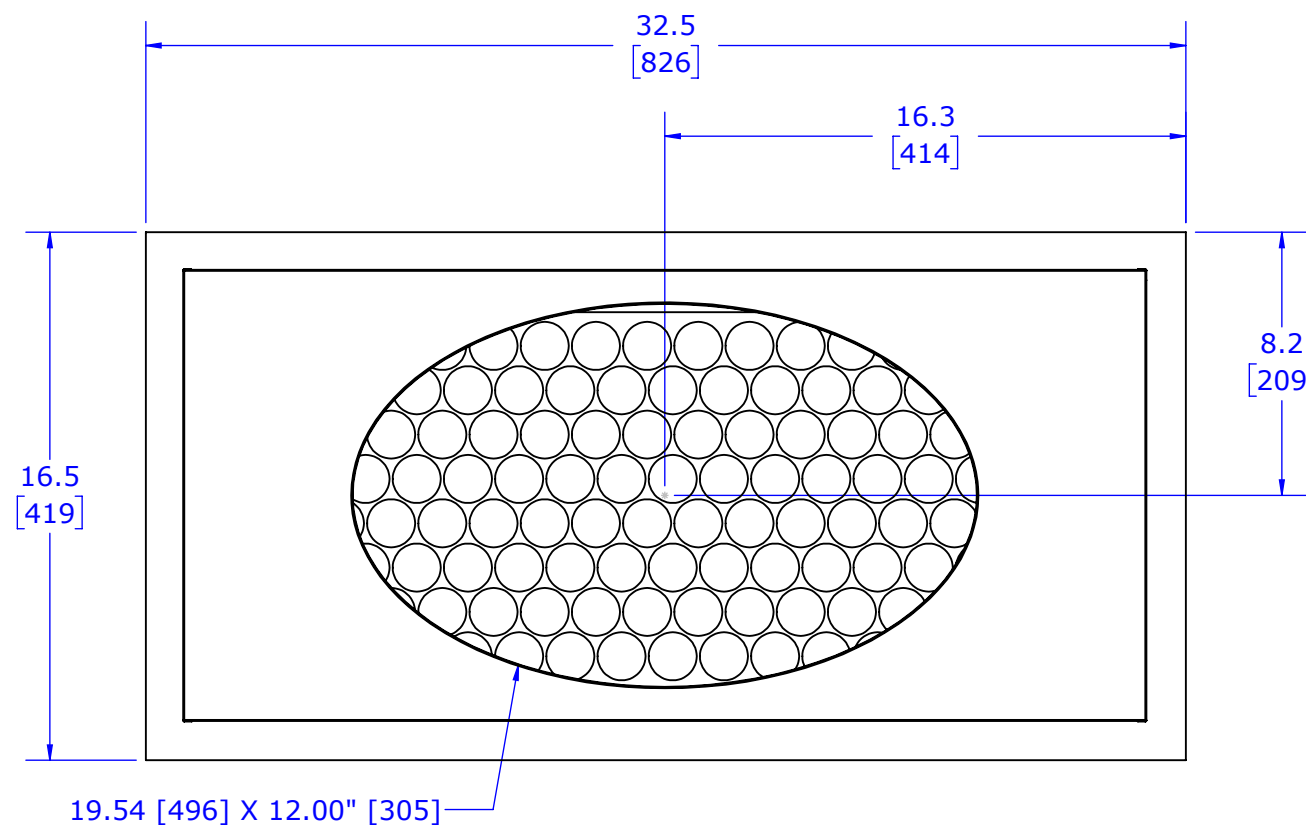
D

D



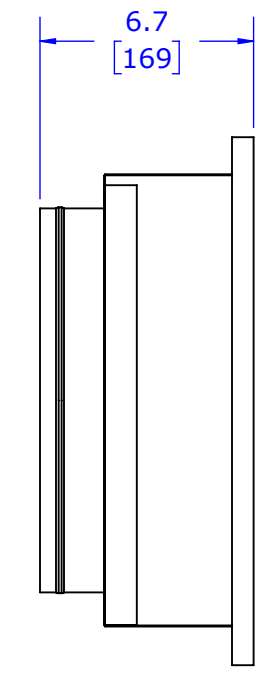
C

C



B

B



A

A

NOTES:
1. ALL DIMENSIONS ARE IN INCHES [MM] UNLESS OTHERWISE SPECIFIED.

DATE	MODEL NO.
10/12/17	UPC-01-3036

8 7 6 5 4 3 2 1