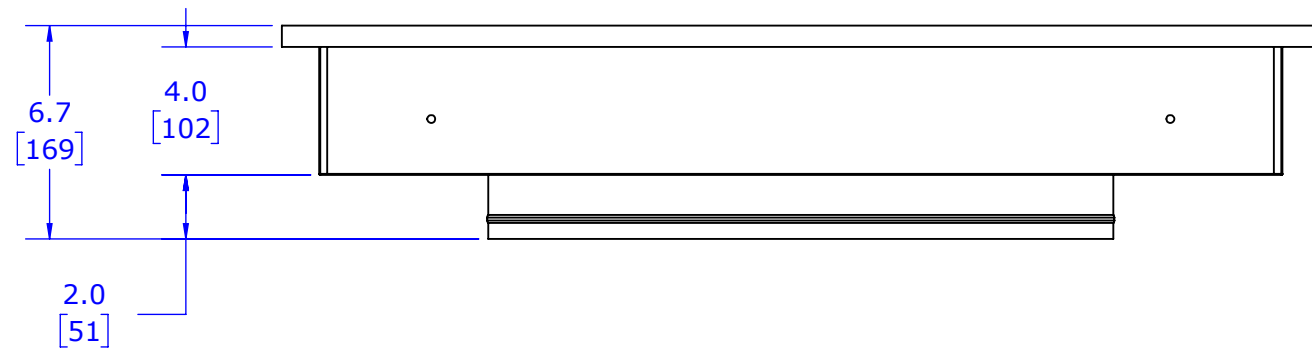


8 7 6 5 4 3 2 1

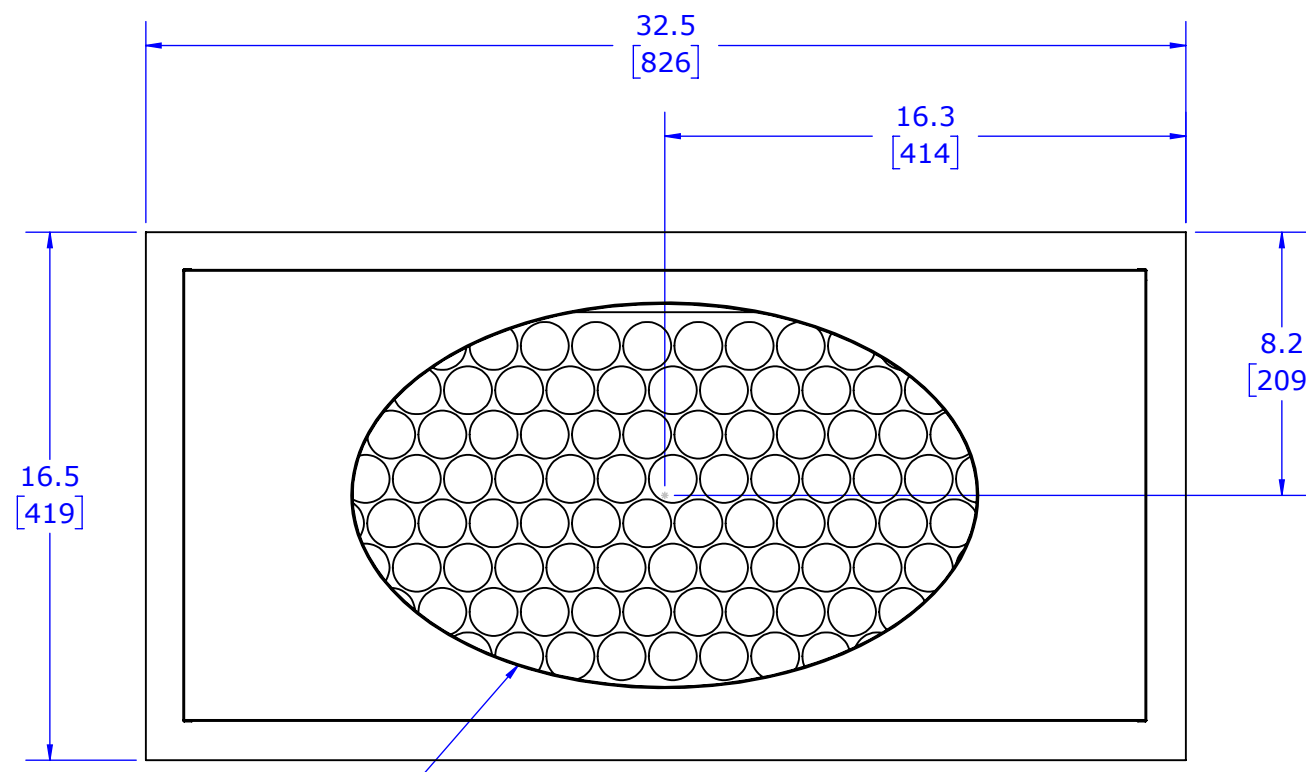
D

D



C

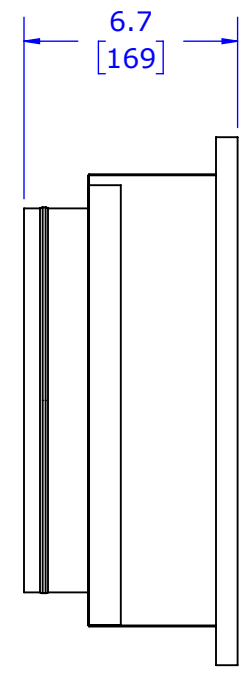
C



23.25 [591] X 11.75" [298]

B

B



A

A

NOTES:
1. ALL DIMENSIONS ARE IN INCHES [MM] UNLESS OTHERWISE SPECIFIED.

DATE	MODEL NO.
11/06/17	UPC-01-3642

8 7 6 5 4 3 2 1