

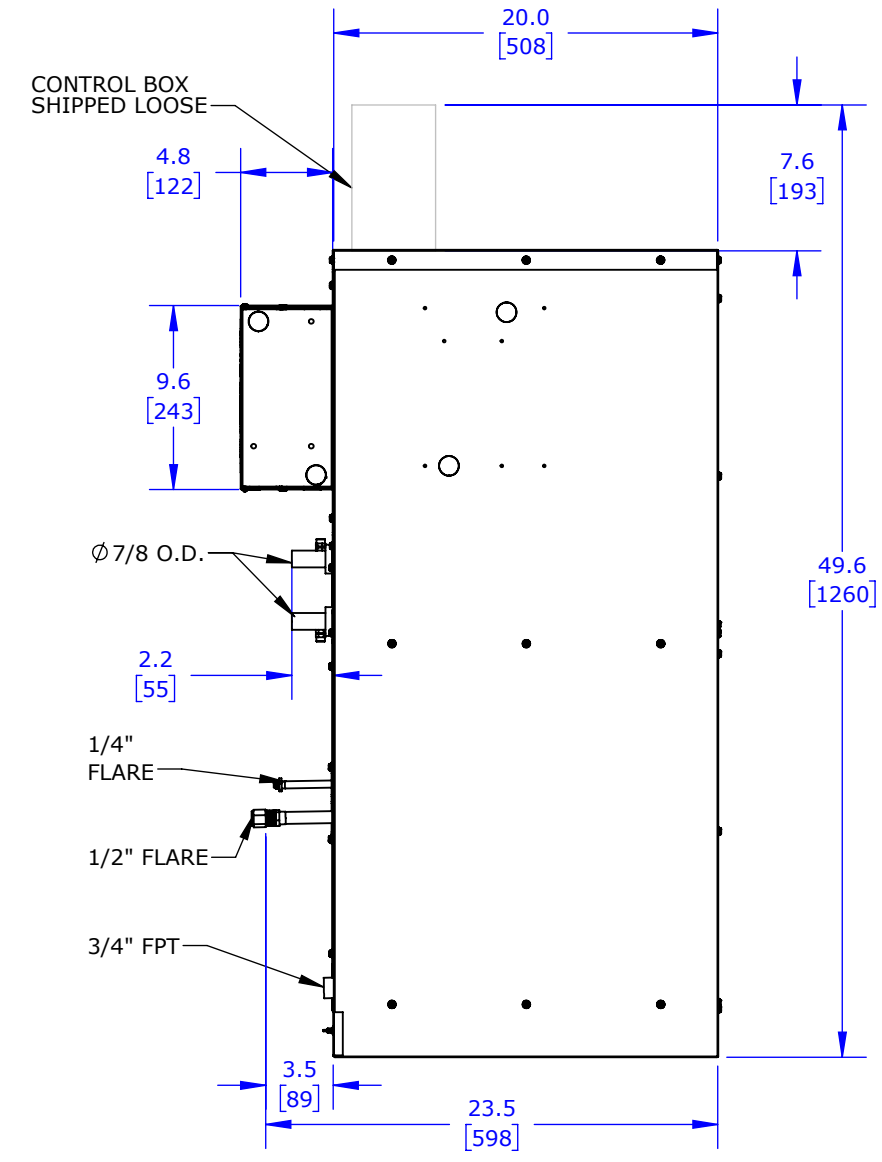
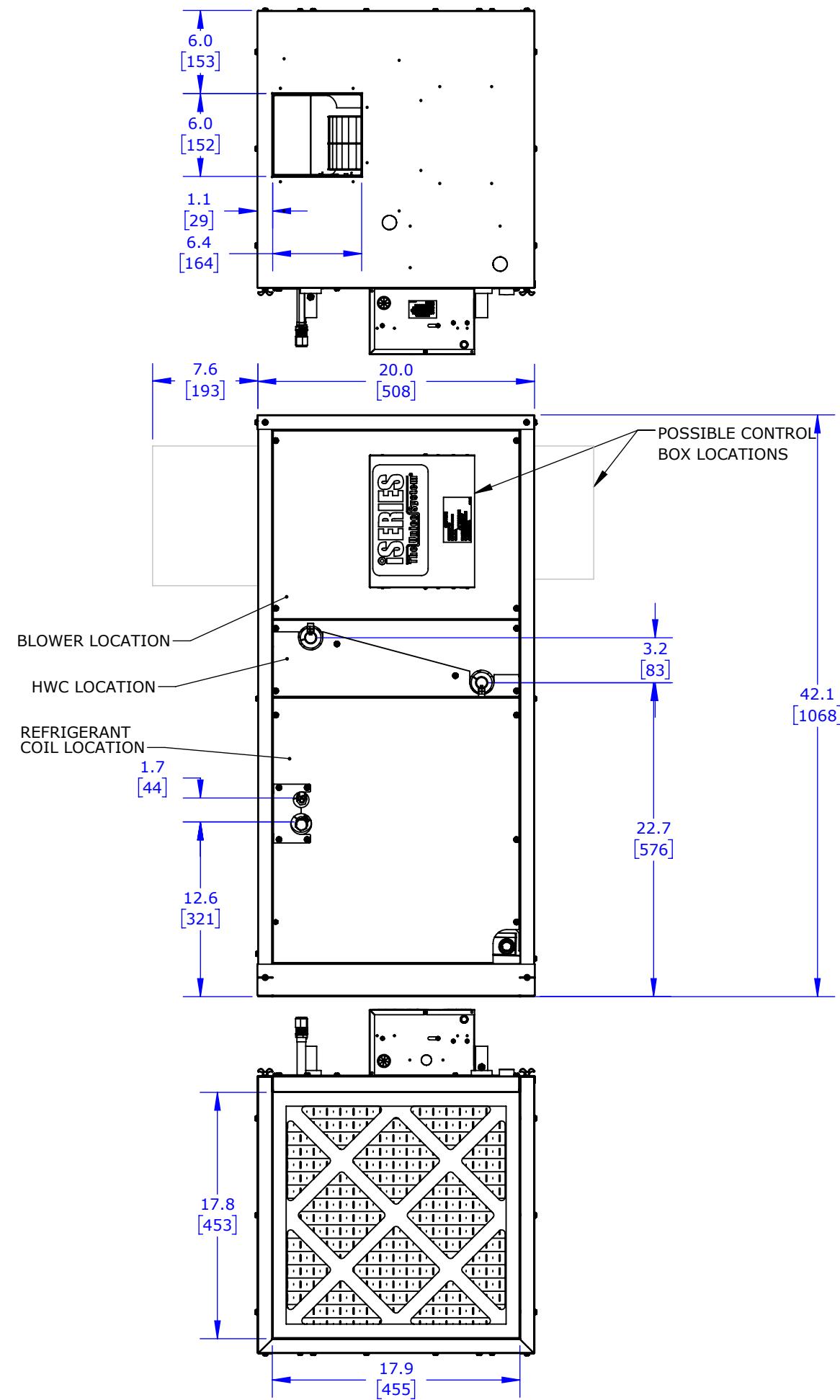
8 7 6 5 4 3 2 1

D
C
B
A

D
C
B
A

NOTES:

1. ALL DIMENSIONS ARE IN INCHES [MM] UNLESS OTHERWISE SPECIFIED.



| | |
|----------|----------------|
| DATE | MODEL NO. |
| 04/12/18 | V2430BL1-EA2AH |

8 7 6 5 4 3 2 1