

For:  File  Resubmit  Approval  Other \_\_\_\_\_

## M2430V2

### 2.5-ton Vertical Return Plenum Module

Job Name:	Location:
Date:	Tag #:
Architect:	Engineer:
Mechanical:	Distributor:
Rep:	

(Company)

(Project Manager)



**M2430V2**

#### Features

- Room for optional hot water coil with access from both sides
- Centrally located pleated filter
- Heavy-duty closed cell insulation (no exposed fiberglass insulation)
- Standard Unico System 'latch' system
- Includes secondary drain pan

Matching Modules
M2430BL1-EC1/EC2
M2430CL1-B
M2430CL1-E
M2430CL1-C
M2430CL1-H

Indoor Unit Size
2430

#### General Data:

Dimensions (H x W x D)	18.25 x 25 x 17.5 in. (464 x 635 x 445 mm)
Total Return Opening	154 in <sup>2</sup> (0.10 m <sup>2</sup> )
Equivalent Return Opening Diameter	14 in (356 mm)
Filter Size	18 in x 25 in x 1 in (457 mm x 635 mm)
Maximum Airflow	750 CFM (354 L/s)
Maximum Velocity	350 FPM (1.78 m/s)
Initial Resistance	0.4 in. w.g (100 Pa)
Drain Pan Dimensions	23.63 x 28.13 x 1.5 in. (600 x 715 x 38 mm)
Drain Pan Fitting	3/4" Socket x 3/4" MPT, SCH 40 PVC

#### Optional Accessories

- Hot water coil (HW-2430)
- Modular Variable Speed Air Handler (M2430BL1-EC\*)
- Return adapter (UPC-104-2430)

#### Notes:

1. Refer to installation manual for more information.

#### Model Number Key:

M	2430	V	2	1
Model Series	Matching ODU Nominal Capacity	Module Type	Revision	Options
M = Modular	2430 = 24000 to 30000 Btu/hr	V = Vertical Return Plenum		1 = Paint White

# M2430V2

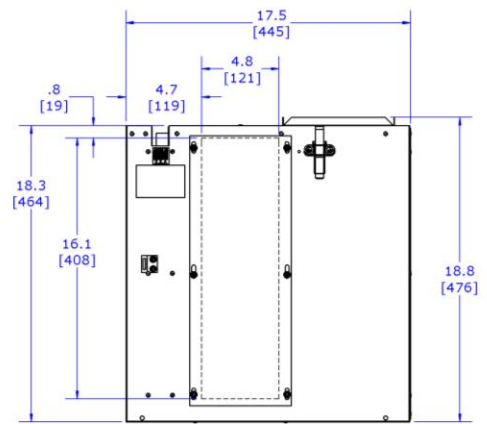
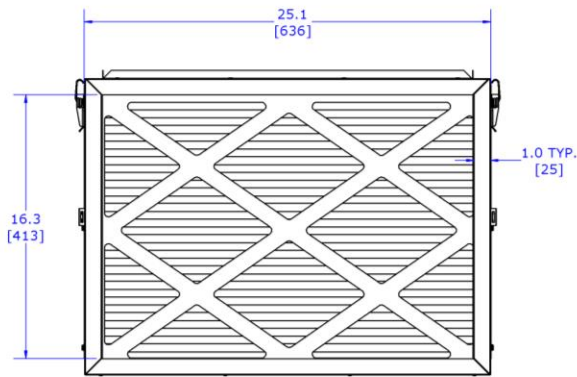
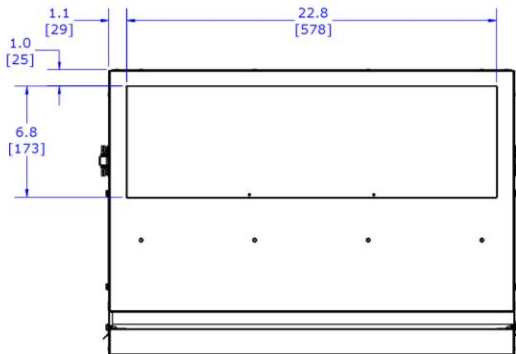
Job Name:

Location:

Date:

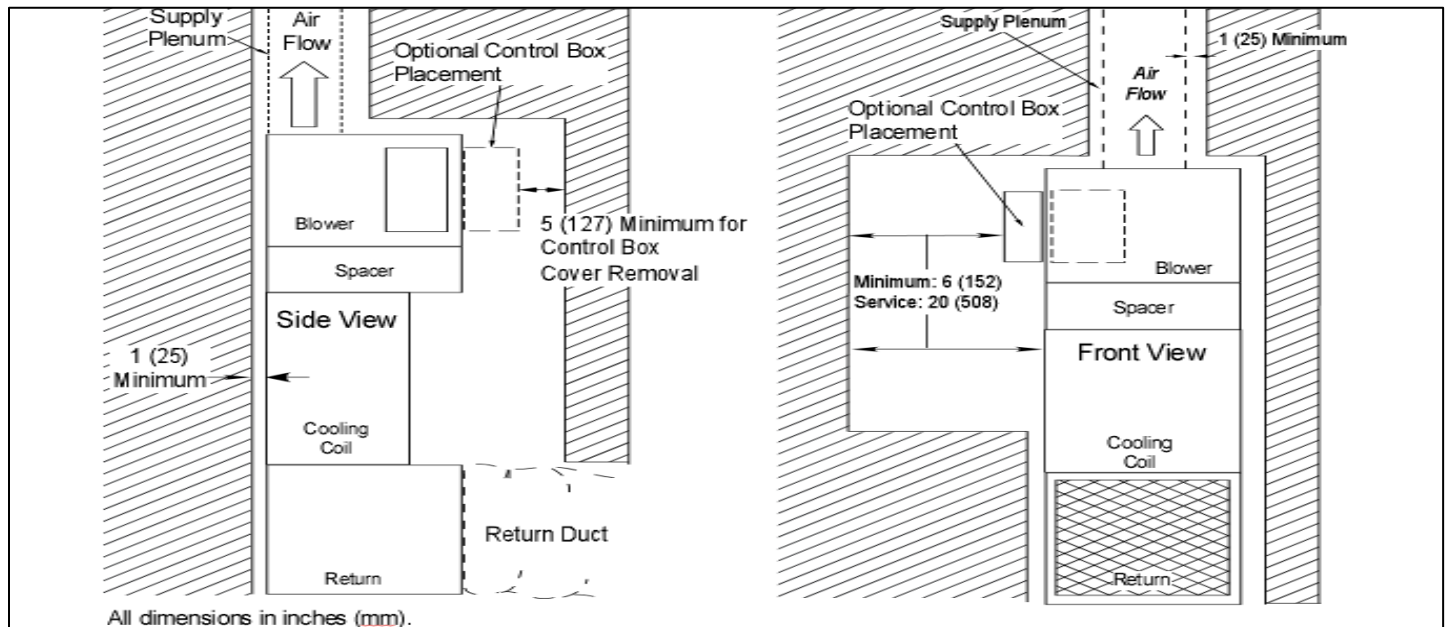
Tag #:

## VERTICAL RETURN PLENUM MODULE DIMENSIONS



\* Contact Unico for dimensions of assembled modules.

## Installation Clearances



Unico, Inc.  
<http://tech.unicosystem.com>  
 314-481-9000  
 800-527-0896  
[sales@unicosystem.com](mailto:sales@unicosystem.com)

