

For: File Resubmit Approval Other _____

M3036R1 3-ton Return Air Plenum Module

Job Name:	Location:
Date:	Tag #:
Architect:	Engineer:
Mechanical:	Distributor:
Rep:	
(Company)	(Project Manager)



M3036R1

Features

- Blank side and top allow for custom, multiple-return openings
- Centrally located filter
- Heavy-duty closed cell insulation (no exposed fiberglass insulation)
- Filter access from both sides
- Standard Unico System 'latch' system

Matching Modules
M3036BL1-EC1/EC2
M3036CL1-B
M3036CL1-E
M3036CL1-C
M3036CL1-H

Indoor Unit Size
3036

General Data:

Dimensions (H x W x D)	17.5 x 30 x 14 in. (445 x 762 x 349 mm)
Total Return Opening	201 in ² (0.13 m ²)
Equivalent Return Opening Diameter	16 in (406 mm)
Filter Size	14 in x 30 in x 1 in (356 mm x 762 mm)
Maximum Airflow	1020 CFM (408 L/s)
Maximum Velocity	350 FPM (1.78 m/s)
Initial Resistance	0.04 in. wg (10 Pa)

Model Number Key (available models):

M	3036	R	1
Model Series	Nominal Capacity	Module Type	Revision
M = Modular	3036 = 30000 to 36000 Btu/hr	R = Return Air Plenum	

Optional Accessories

- Hot water coil heating module (M3036CL1-H)
- Modular Variable Speed Air Handler (M3036BL1-EC*)
- Secondary drain pan, 2 module (UPC-27B)
- Secondary drain pan, 3 module (UPC-27C)
- Return adapter (UPC-104-3036)

Notes:

1. Refer to installation manual for more information.

M3036R1

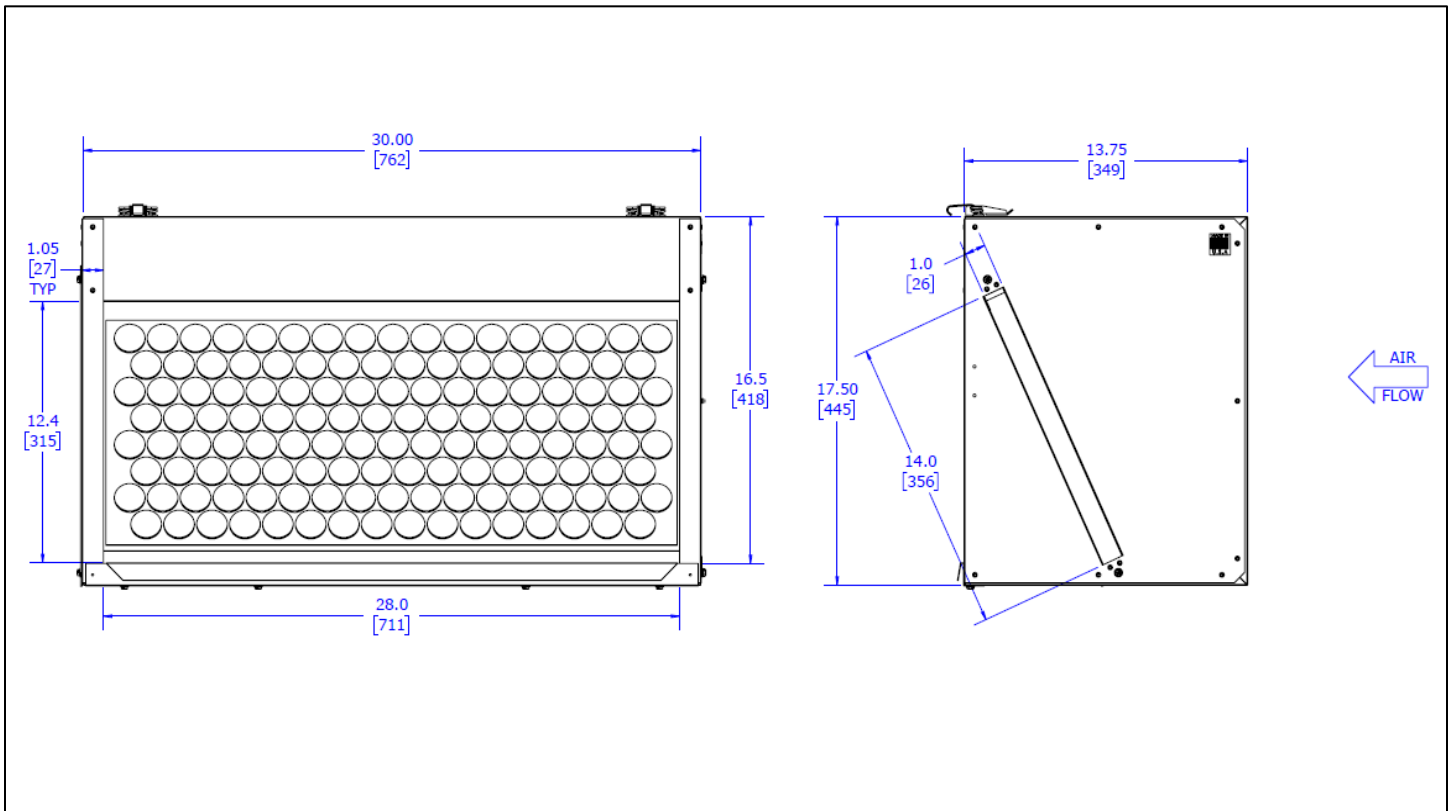
Job Name:

Location:

Date:

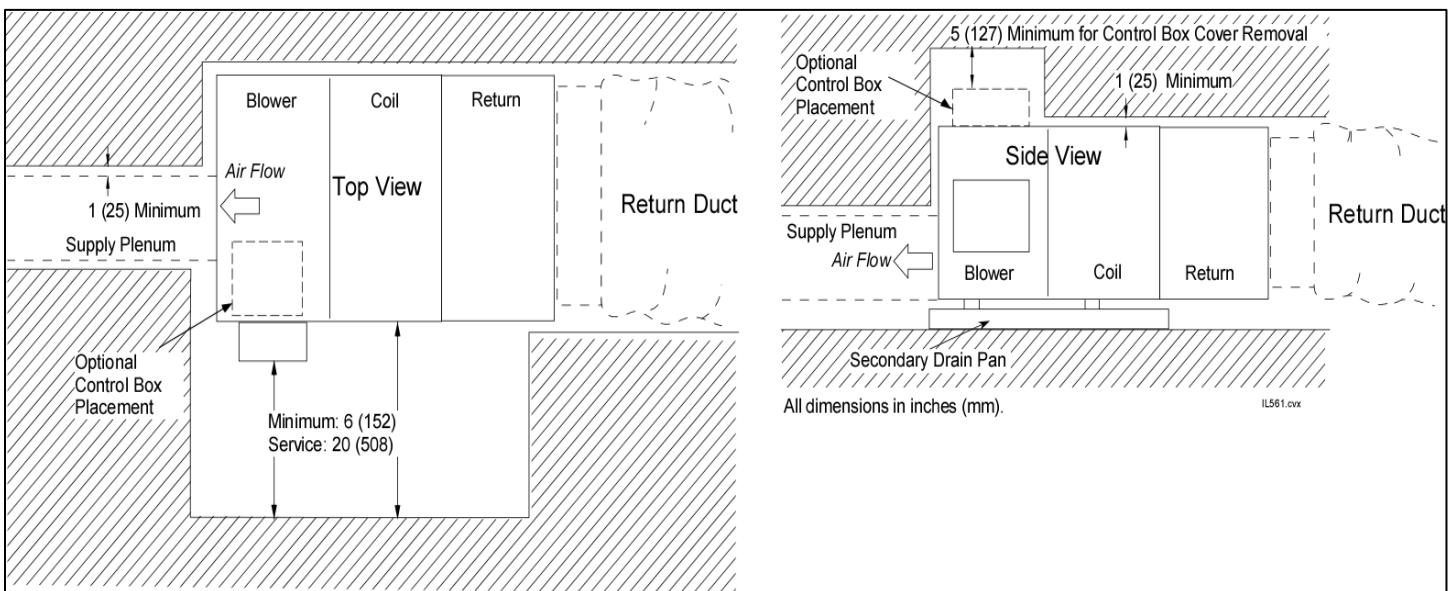
Tag #:

RETURN AIR PLENUM MODULE DIMENSIONS



* Contact Unico for dimensions of assembled modules.

Installation Clearances



Unico, Inc.
<http://tech.unicosystem.com>
 314-481-9000
 800-527-0896
sales@unicosystem.com

