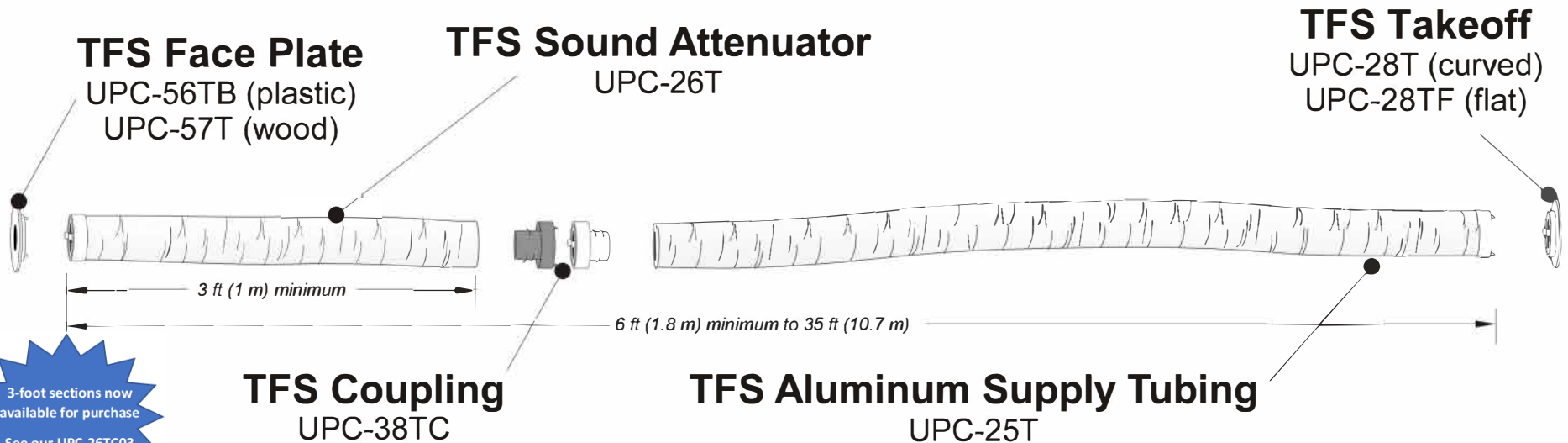


Method A: Sound Attenuator Only



Method B: Combined Sound Attenuator and Aluminum Supply Tubing

3-foot sections now available for purchase

See our UPC-26TC03 line