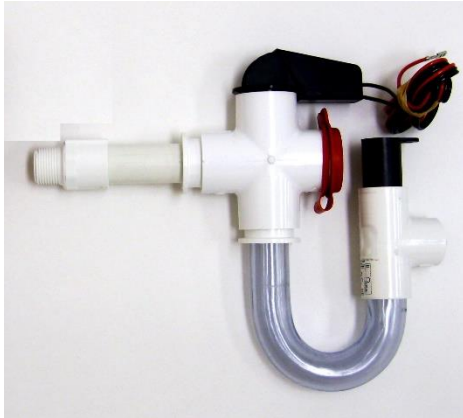


Unico Condensate Trap

U-Trap (Standard)



A00924-G05 & G06

Contents

- 1 – Trap Assembly (shown on page 2)
- 1 – Yellow Cleaning Label
- 1 – Cleaning Brush (U-Trap only)
- 1 – Instructions

Waterless Trap (upgrade)



A01514-G01 and –G02

Contents

- 1 – Switch with Tee and drain pan fitting
- 1 – Waterless Trap
- 1 – PVC pipe, 3/4" x 2"
- 1 – PVC Elbow, 1"
- 1 – Instructions

NOTE: Actual product may appear differently.

GENERAL

The Unico System® condensate traps feature a transparent trap, float switch, and the necessary fitting to connect to the drain pan. The Unico System cooling coils come with a standard U-trap which can be upgraded to a waterless trap for applications where condensate freezing or height of the trap is an issue (see Figure 1).

There are four models available. All 1218 cooling coils require a 1/2 inch MPT connection. All other cooling coil models require a 3/4 inch MPT connection.

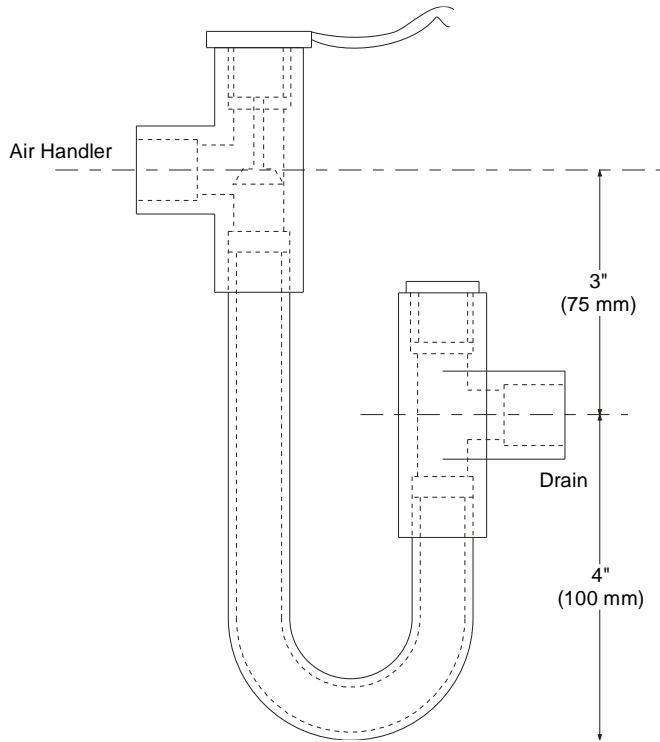
Table 1. Model Number

Type	Inlet Connection, inch MPT	
	3/4	1/2
U-trap	A00924-G05	A00924-G06
Waterless	A01514-G01	A01514-G02

All traps have a 3/4 inch PVC outlet.

For overall dimensions of the U-Trap and waterless trap, see figure 1.

U-Trap



Waterless Trap

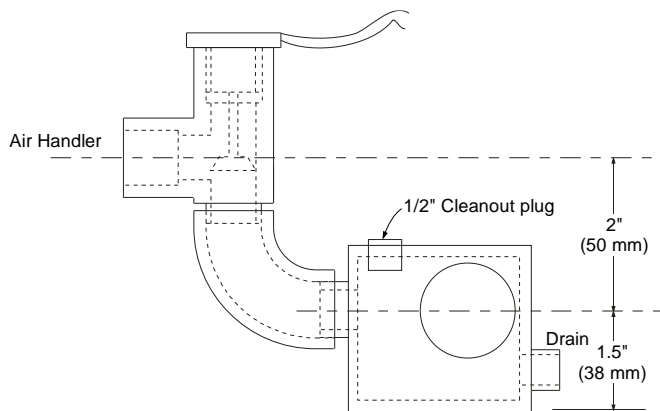


Figure 1. Height dimensions, inches (mm)

FREEZE PROTECTION

If the unit and condensate are installed in a location that may freeze during cold weather conditions, the U-trap must be winterized or upgraded to a waterless type.

— CAUTION —

To protect the U-trap from breaking due to water freezing, winterize the trap in accordance to these instructions.

Although the U trap is strong and able to withstand an occasional freeze cycle, it is not guaranteed against breakage. This is true for any U-trap. If filled with water, it is possible for the condensate to freeze in a cold environment. Another solution is to locate the trap where a potential leak will not cause damage to the surroundings.

If the unit is only used in the summer months, protect the trap by either blowing the condensate out of the trap or filling the trap with an anti-freeze solution at the end of the cooling season.

It is not necessary to winterize a waterless trap. Any water that drains out of the condensate pan will immediately pass through the waterless trap; therefore, there is nothing that can freeze.

Like all traps, freezing can still occur if the trap is blocked and filled with water. Therefore, be sure to inspect the trap at least twice per year when the seasons change.

MAINTENANCE

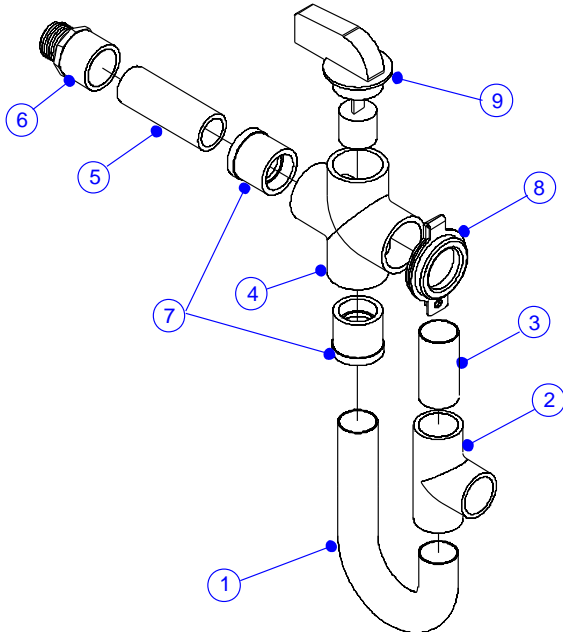
Check trap for debris at least twice per year, typically at the beginning and end of each cooling season.

For the U-trap, use brush to clean the trap. Be sure to leave brush near the trap for future maintenance.

For the waterless trap, remove the threaded cleanout plug and insert water or air with a syringe or hose to wash or blowout any material that may have collected.

INSTALLATION

First install the adapter fitting into the drain pan connection. Use pipe sealant or Teflon tape to seal pipe threads. Next, assemble the trap as shown in figure 2 and figure 3.

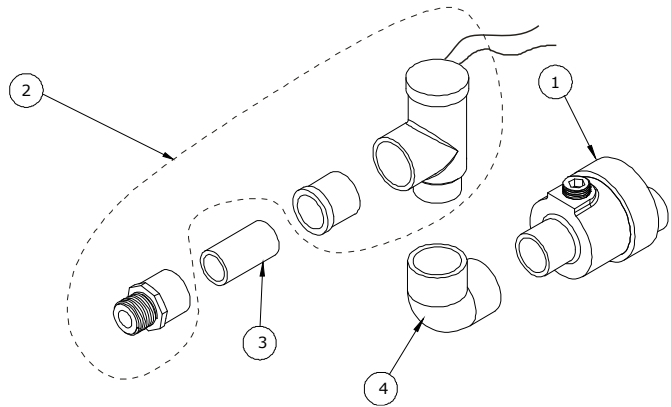


A00924-G05, -G06

Find No.	Quantity		Description
	-G05	-G06	
1	1	1	Heavy wall U-Trap, Clear, 3/4"
2	1	1	Tee, PVC, 3/4"
3	1	1	Extension, Clean out
4	1	1	Cross, PVC, 1"
5	1	1	Pipe, PVC, 3/4 x 3"
6	1		Adapter, 3/4 x 3/4 MPT
		1	Adapter, 3/4 x 1/2 MPT
7	2	2	Bushing, PVC, 3/4 x 1"
8	1	1	Cap, 1"
9	1	1	Float Switch
10	1	1	Wire Cable, 48-inch
11	1	1	Brush, Clean-out
12	1	1	Instructions
13	1	1	Yellow cleaning label

IL00402(Rev B).C.VX

Figure 2. Assembly of U-traps



Find No	Description	Qty
1	Waterless Trap Kit	1
2	Float Switch Kit	1
3	Pipe, 3/4"	2 in.
4	Elbow, 1"	1

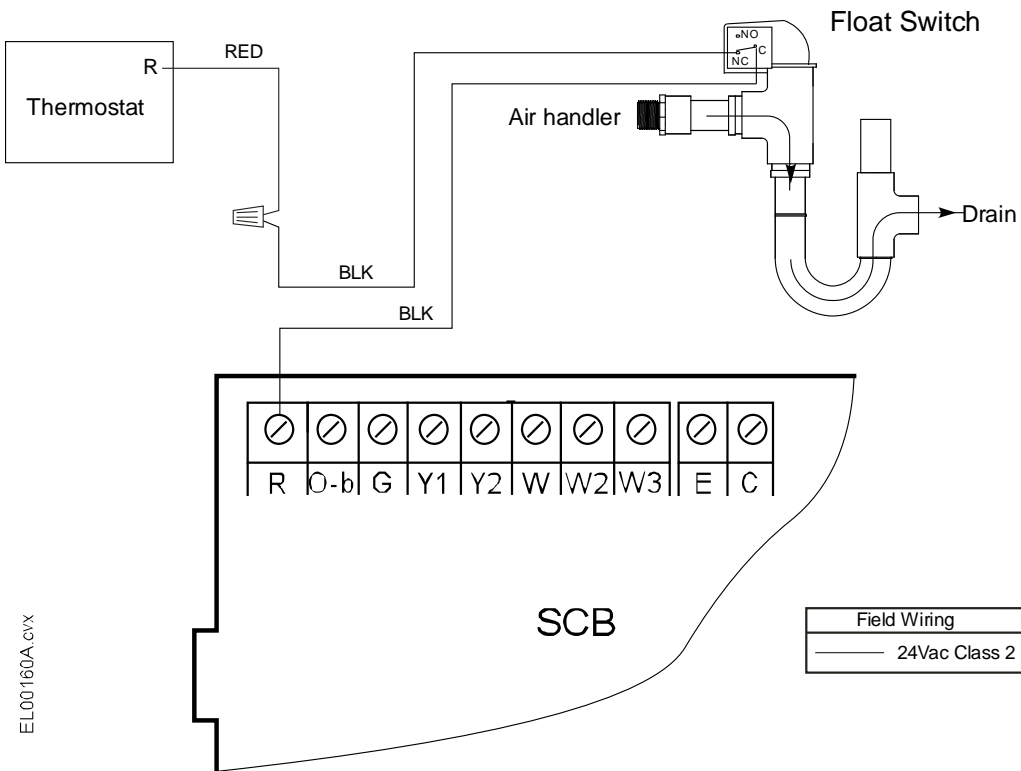
Figure 3. Assembly of waterless traps

Allow for clearance for cleaning out the trap. Be sure to use PVC adhesive to join the socket fittings; do not rely on the friction fit.

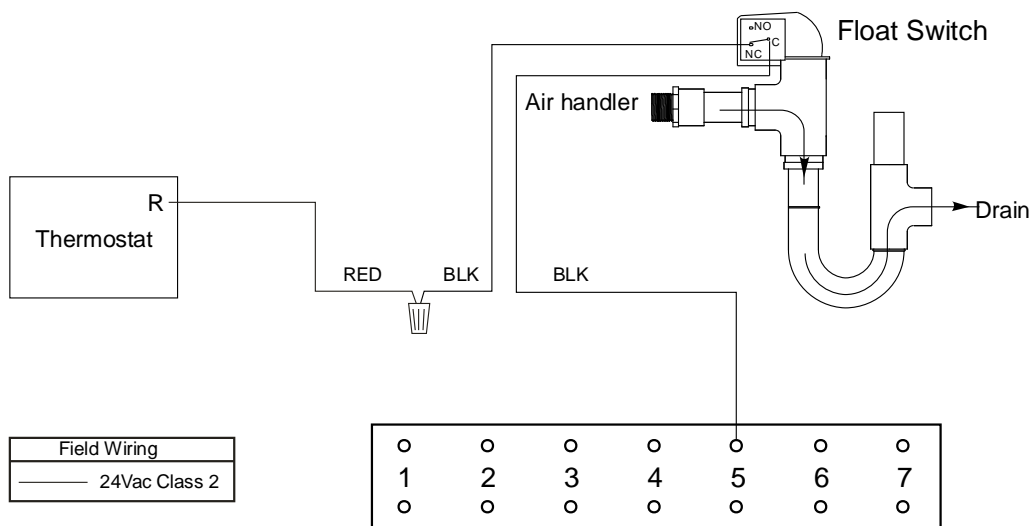
WIRING

All U-traps and waterless traps come with a float switch that can be wired through a homeowner's thermostat and a Unico air handler control box. An optional field installed alarm or bell can be wired in line with the float switch and the Unico air handler control box to give additional notification to the homeowner that there is a problem with the U-trap or waterless trap. See figure 4 for wiring details.

Condensate Trap Float Switch Wiring with the SCB control board



Condensate Trap Float Switch Wiring with Single Speed Motor



Low voltage terminal block in wired control boxes.

Figure 4. Wiring of the float switch