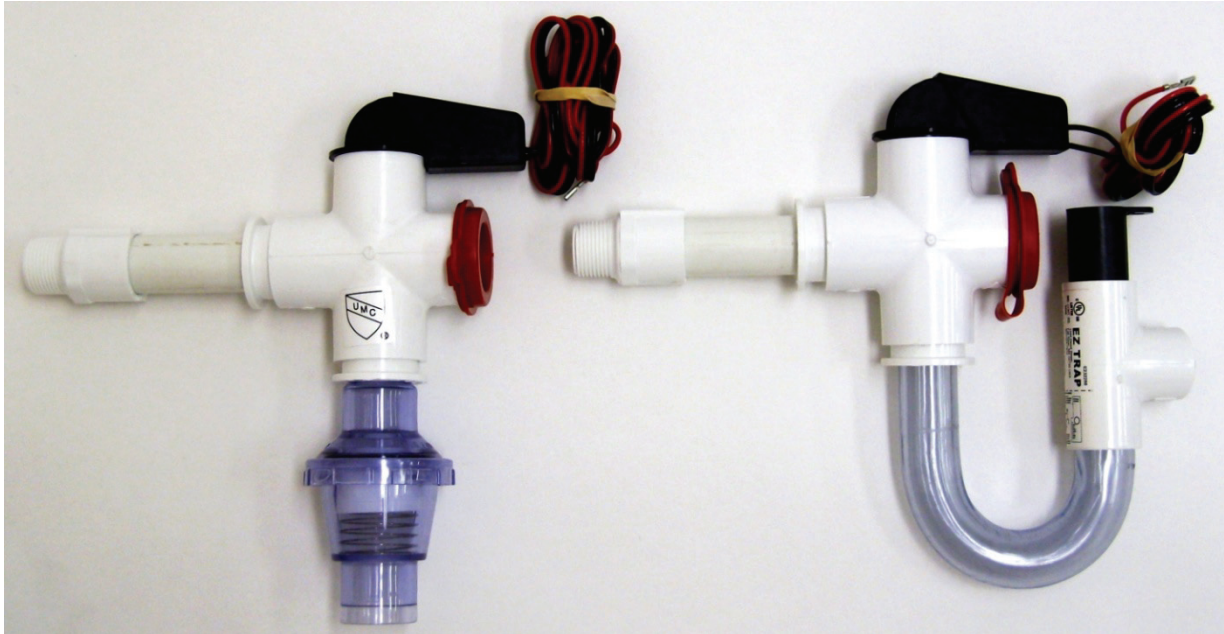


## Unico Condensate Trap



A01514-G01 and -G02

A00924-G05 &amp; G06

### Packing List

Each kit contains the following:

- 1 – Trap Assembly (shown on page 2)
- 1 – Yellow Cleaning Label
- 1 – Cleaning Brush (U-Trap only)
- 1 – Instructions

### Features

The Unico Condensate U-trap (A00924-G05 and A00924-G06) features a clear, heavy wall seamless trap that is easy to visually inspect for clogs. The U-trap, specially made for the Unico System, includes an extra deep 2.5 inch (64 mm) trap to handle the higher static pressures.

The U-trap features a 2.5" long trap, a clean-out extension pipe, two tees to accommodate any piping arrangement, and the necessary fitting to connect to the drain pan. The Unico Condensate Waterless trap (A01514-G01 and A01514-G02) features a clear trap assembly that does not hold

water which helps prevent freeze bursting in cold climate conditions.

The float switch is used on both the U-trap (A00924-G05 and G06) and the Waterless trap (A01514-G01 and G02) to prevent overflow of the condensate drain pan if a clog occurs.

<u>Unico Part No.</u>	<u>Description</u>
A00924-G05.....	Heavy wall U-Trap with Float Switch, Modular (3/4" connection)
A00924-G06.....	Heavy wall U-Trap with Float Switch, M1218 (1/2" connection)
A01514-G01.....	Waterless Trap with Float Switch, Modular (3/4" connection)
A01514-G02.....	Waterless Trap with Float Switch, M1218 (1/2" connection)

## Installation Freeze Protection

### — CAUTION —

**To protect trap from breaking due to water freezing, winterize the U-trap in accordance to these instructions.**

Although the U trap is strong and able to withstand an occasional freeze cycle, it is not guaranteed against breakage. This is true for any U-trap. If filled with water it is possible for the condensate to freeze in a cold environment.

If the unit is only used in the summer months, it is possible to protect the trap by either blowing the condensate out of the trap or filling the trap with an anti-freeze solution at the end of the cooling season. However, the best practice is to locate the trap where a potential leak will not cause damage to the surroundings. Another option would be to upgrade the trap to a 'waterless' version. (A01514-G01 and A01514-G02)

The "waterless" trap is ideal where the trap might be located in freezing conditions. Any water that drains out of the condensate pan will immediately pass through the waterless trap therefore there is nothing that can freeze. However, like all traps, there are no guarantees and it is recommended to have a certified contractor inspect your system and winterize it as necessary.

For overall dimensions of the U-Trap and waterless trap, see figure 1.

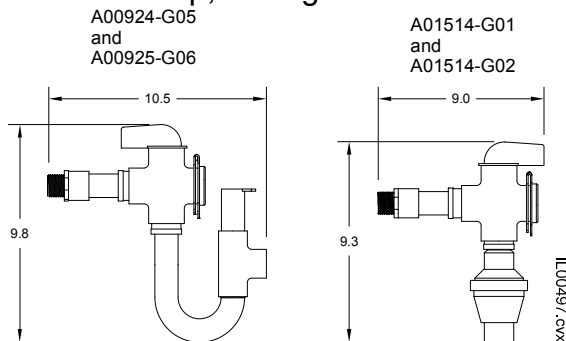
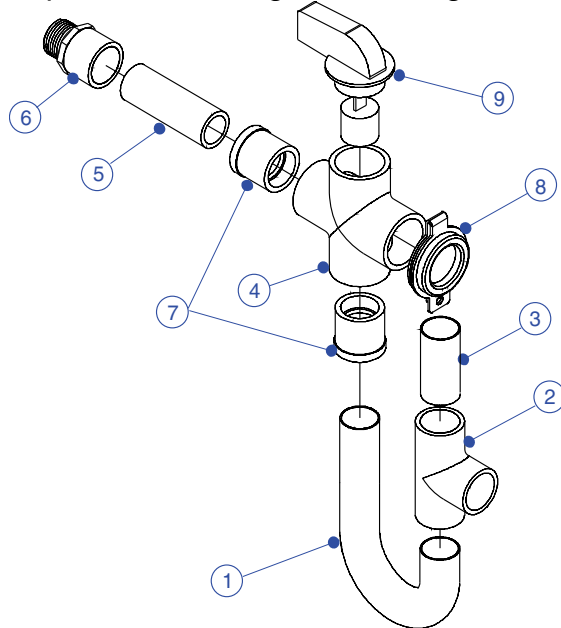


Figure 1. Overall dimensions (inches).

First install the adapter fitting into the drain pan connection. Use pipe sealant or Teflon tape to seal pipe threads. Next, assemble the trap as shown in figure 2 and figure 3.

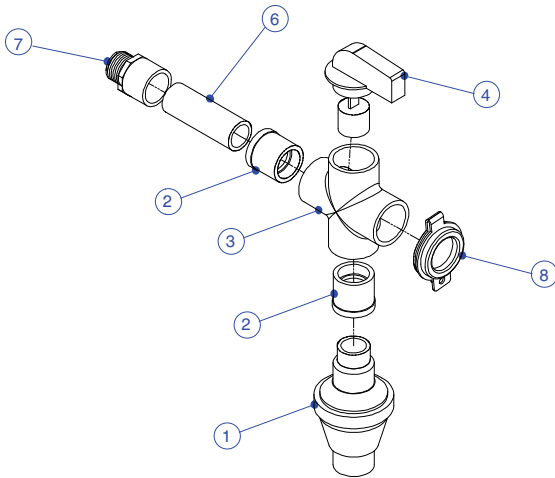


A00924-G05, -G06

Find No.	Quantity		Description
	-G05	-G06	
1	1	1	Heavy wall U-Trap, Clear, 3/4
2	1	1	Tee, PVC, 3/4
3	1	1	Extension, Clean out
4	1	1	Cross, PVC, 1
5	1	1	Pipe, PVC, 3/4 x 3
6	1		Adapter, 3/4 x 3/4 MPT
		1	Adapter, 3/4 x 1/2 MPT
7	2	2	Bushing, PVC, 3/4 x 1
8	1	1	Cap, 1"
9	1	1	Float Switch
10	1	1	Wire Cable, 48-inch
11	1	1	Brush, Clean-out
12	1	1	Instructions
13	1	1	Yellow cleaning label

IL00402(Rev B).CVX

Figure 2. Assembly of U-traps



A01514-G01, -G02

Find No.	Quantity		Description
	-G01	-G02	
1	1	1	Waterless Trap
2	2	2	Bushing, PVC, 3/4 x 1
3	1	1	Cross, PVC, 1
4	1	1	Float Switch
5	1	1	Wire Cable, 48-inch
6	1	1	Pipe, PVC, 3/4 x 3
7	1		Adapter, 3/4 x 3/4 MPT
		1	Adapter, 3/4 x 1/2 MPT
8	1	1	Cap, 1"
9	1	1	Brush, Clean-out
10	1	1	Instructions
11	1	1	Yellow cleaning label

IL00496.CVX

Figure 3. Assembly of waterless traps

Allow for clearance for cleaning out the trap. Be sure to use PVC adhesive to join the socket fittings; do not rely on the friction fit. For overall dimensions and specifications, please see table 1.

Model Number	A00924-G05	A00924-G06	A01514-G01	A01514-G01
Pipe size (in.)	3/4	3/4	3/4	3/4
Connection, Inlet (in.)	3/4	1/2	3/4	1/2
Connection, Outlet (in.)	3/4	3/4	3/4	3/4
Weight Dry (lbs.)	0.88	0.88	0.80	0.80
Weight Wet (lbs.)	0.98	0.98	-	-

Table 1. Dimensions and specifications (Pipe size dimension is for standard PVC)

Note — Specifications, ratings, and dimensions subject to change without notice.

### Maintenance

Check trap for debris at least twice per year, typically at the beginning and end of each cooling season. Use brush to clean the trap. Be sure to leave brush near the trap for future maintenance.

### Wiring

All U-traps and waterless traps come with a float switch that can be wired through a homeowner's thermostat and a Unico air handler control box. An optional field installed alarm or bell can be wired in line with the float switch and the Unico air handler control box to give additional notification to the homeowner that there is a problem with the U-trap or waterless trap. See figure 4 for wiring details.

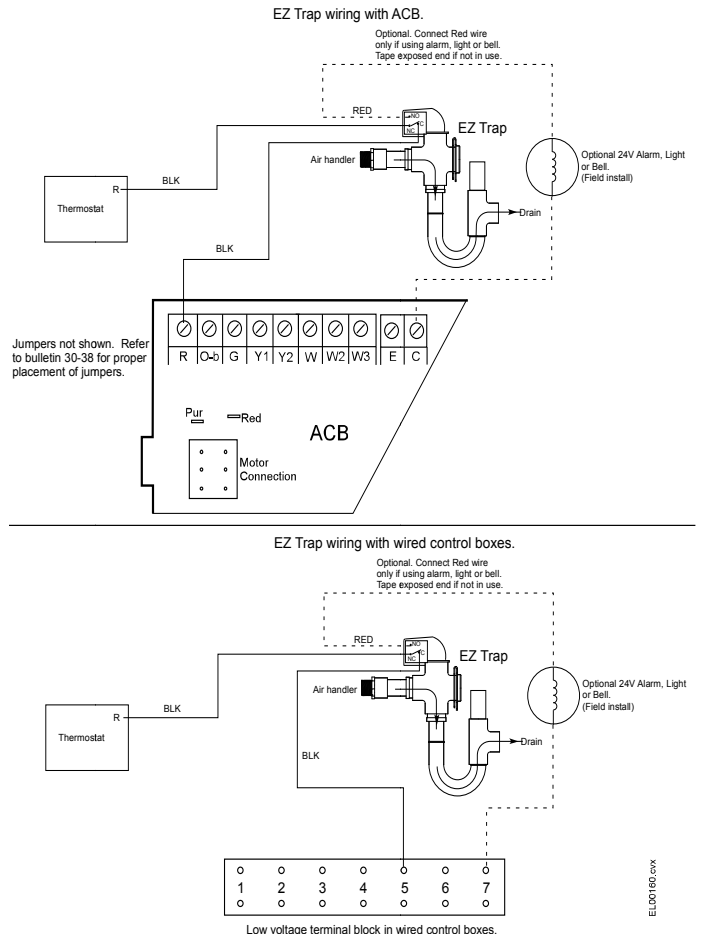


Figure 4. Wiring of the float switch