

8 7 6 5 4 3 2 1

D

D

C

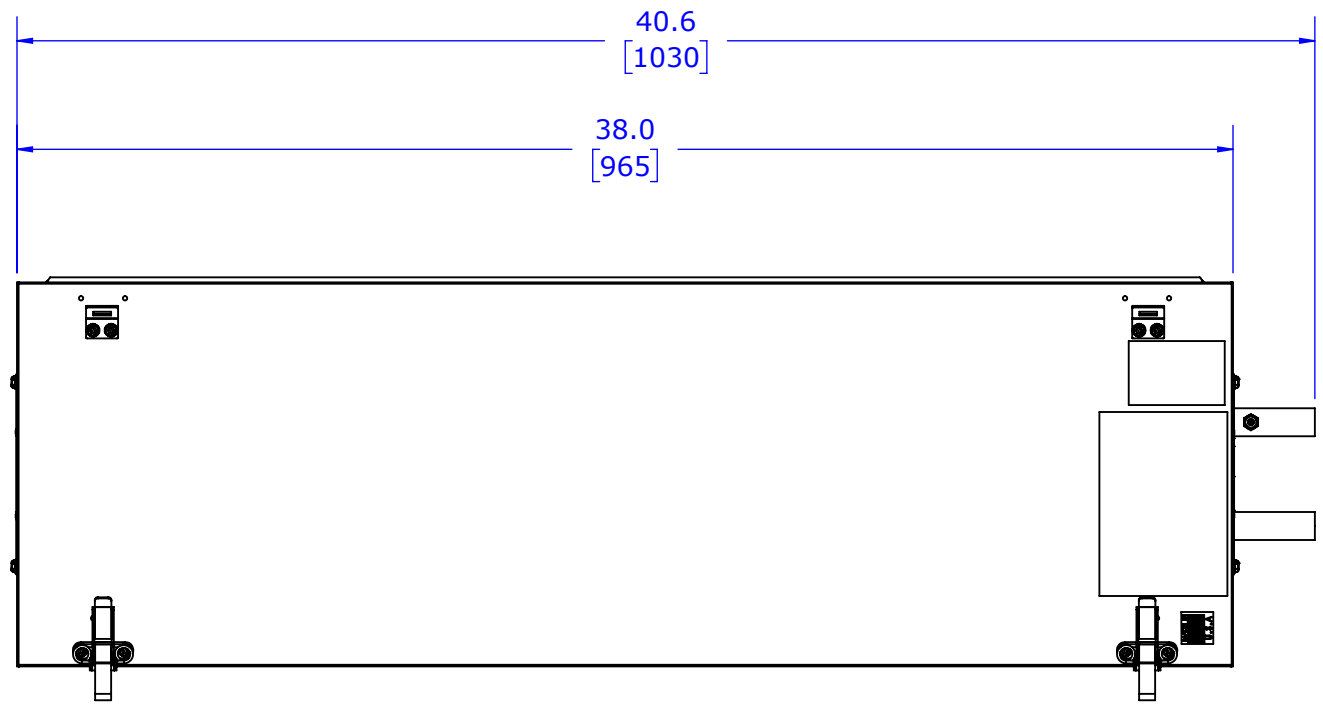
C

B

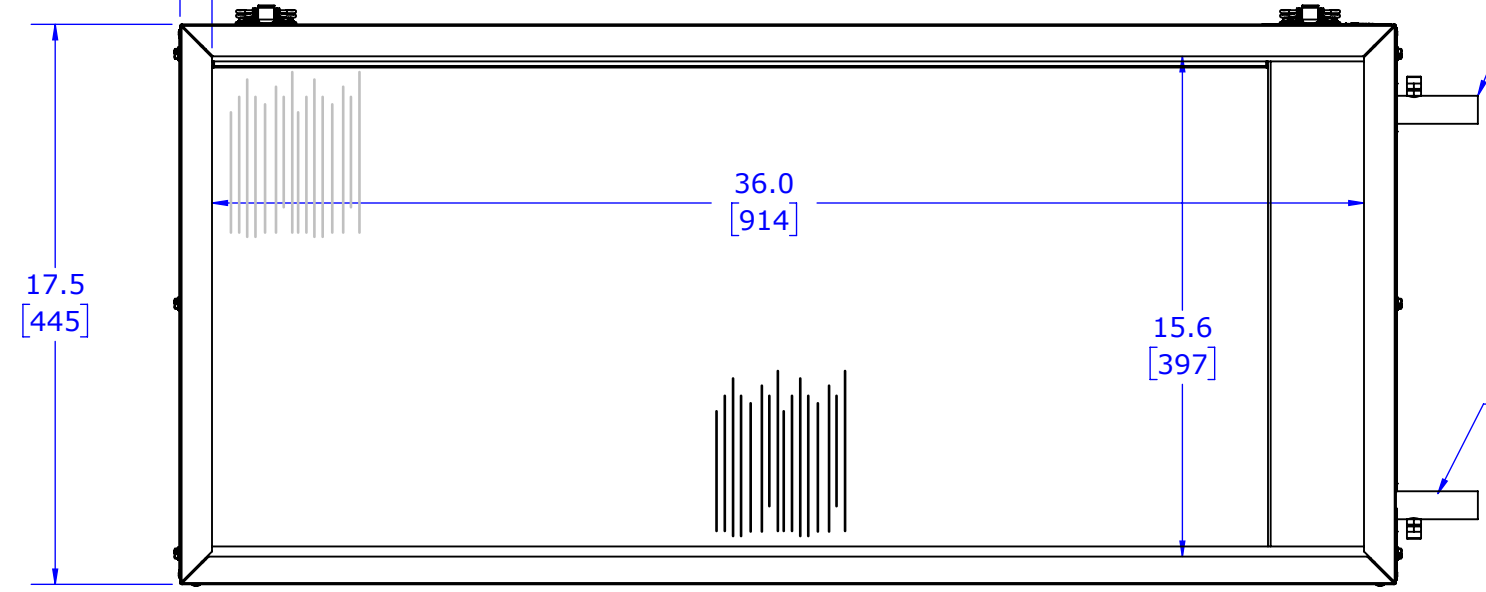
B

A

A

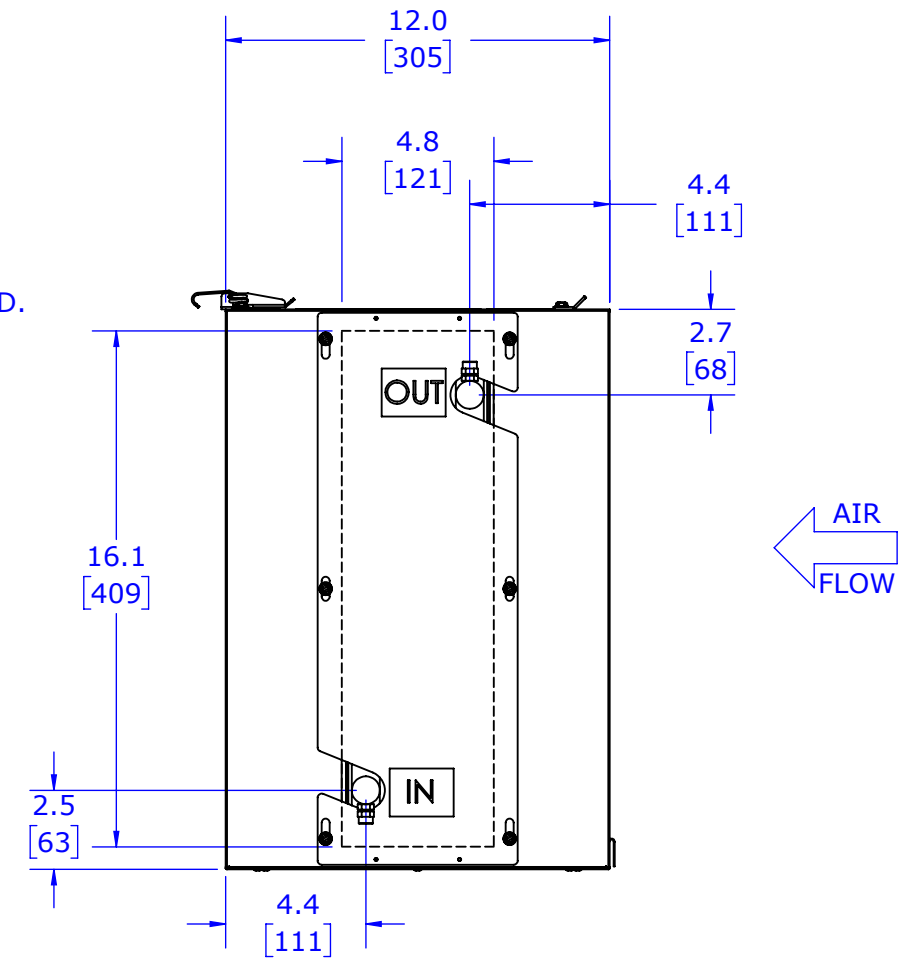


1.0 TYP  
[25]



7/8" O.D.

7/8" O.D.



NOTES:  
 1. ALL DIMENSIONS ARE IN INCHES [MM] UNLESS OTHERWISE SPECIFIED.

DATE	MODEL NO.
11/06/17	M4860CL1-H

8 7 6 5 4 3 2 1