

For:  File  Resubmit  Approval  Other \_\_\_\_\_

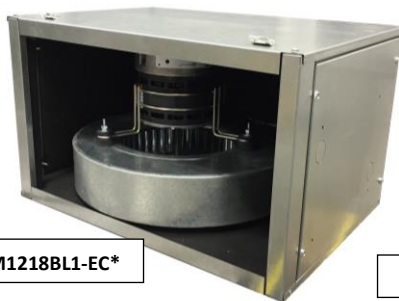
## M1218BL1-EC\* 1.5-ton SDHV Modular Variable Speed Air Handler (Blower)

## Green Series

Job Name:	Location:
Date:	Tag #:
Architect:	Engineer:
Mechanical:	Distributor:
Rep:	

(Company)

(Project Manager)



M1218BL1-EC\*



Control Box

### Features

- Modular construction
- Multiple configurations
- Right-Handed and Painted options available
- EC Motor (variable speed)
- High system efficiency
- Easy service motor/blower
- Constant airflow
- Programmable using Windows PC
- Includes S.M.A.R.T. control board

### Matching Modules

M1218CL1-E  
M1218CL1-C  
M1218CL1-H

### Indoor Unit Size

# 1218

### Operating Range:

Nominal Airflow	400 CFM (679 m <sup>3</sup> /h)
Static pressure at nominal airflow	1.5 in. w.c. (373 Pa)
Airflow Range	100 to 500 CFM (170 to-850 m <sup>3</sup> /h)

### General Data:

Blower wheel diameter	9.5 in. (241 mm)
Blower wheel width	1.64 in. (42 mm)
Fan motor type	ECM
Fan motor size	1/2 hp (373 W)
Fan Speeds	Variable
Maximum motor speed	1800 RPM
Maximum air temperature over motor	150 °F (65 °C)
Supply duct size, minimum	7 in. (178 mm)
Sound Pressure Level*	56 dB(A) NC-50
Net unit weight	52 lbs. (24 kg)
Shipping Weight	57 lbs. (26 kg)
Dimensions (H x W x D)	12 x 20 x 15.4 in. (305 x 508 x 391 mm)

\* Measured 3 ft (1 m) from unit

### Electrical:

Control Box Style	<u>EC2</u>	<u>EC3</u>
Voltage	120V/208V/230V	
Power Supply (Hz, Ph)	50/60, 1	
Full Load Current	5.6 A/3.2 A	
Min. Circuit Ampacity	7.0 A/4.0 A	
Max. Overcurrent Protection	15 A	
Allowable Breaker Sizes	15 A	

### Optional Accessories:

- Control box extension cable, 98" (2.5 m) (A01525-G02)
- Hot water coil heating module (M1218CL1-H)
- Secondary drain pan (UPC-94)
- Supply duct adapter, round (UPC-61-1218)
- Supply duct adapter, square (UPC-62-1218)
- Return adapter (UPC-104-1218)

### Notes:

1. Absolute operating voltage range: 104V – 127V, 188V – 254V
2. All wiring and piping must comply with applicable local and national code.
3. Refer to installation manual for more information.

### Model Number Key:

M	1218	B	L	1	-	EC*	1
Model Series	Matching ODU Nominal Capacity	Module Type	Configuration	Revision		Motor Style	Options
M = Modular	1218 = 12000 to 24000 Btu/hr	B = Blower	L = Left R = Right			EC2 = 120V – 208/230V EC3 = 120V – 208/230V, CE Certified	1 = Paint White

ODU = Outdoor Unit

# M1218BL1-EC\*

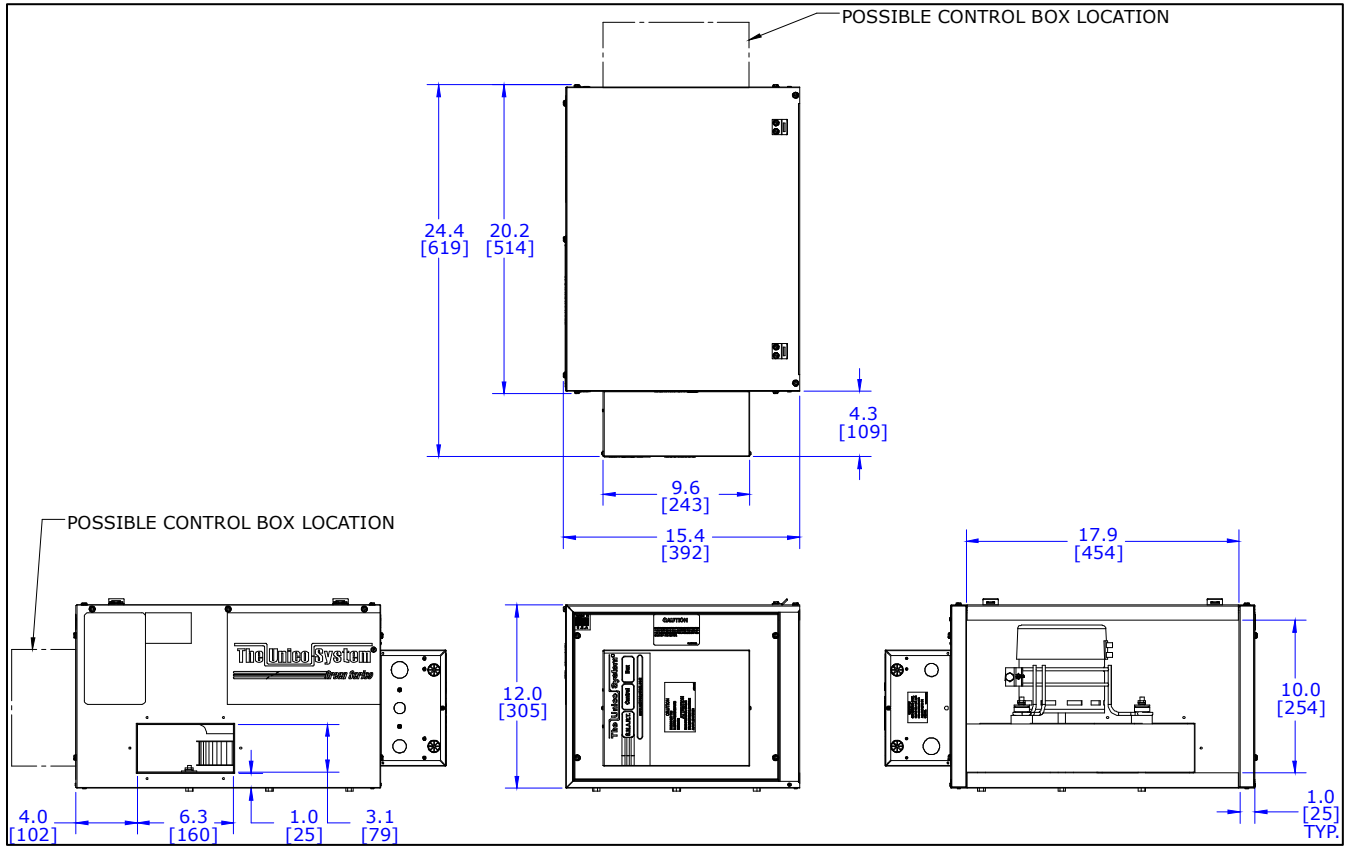
Job Name:

Location:

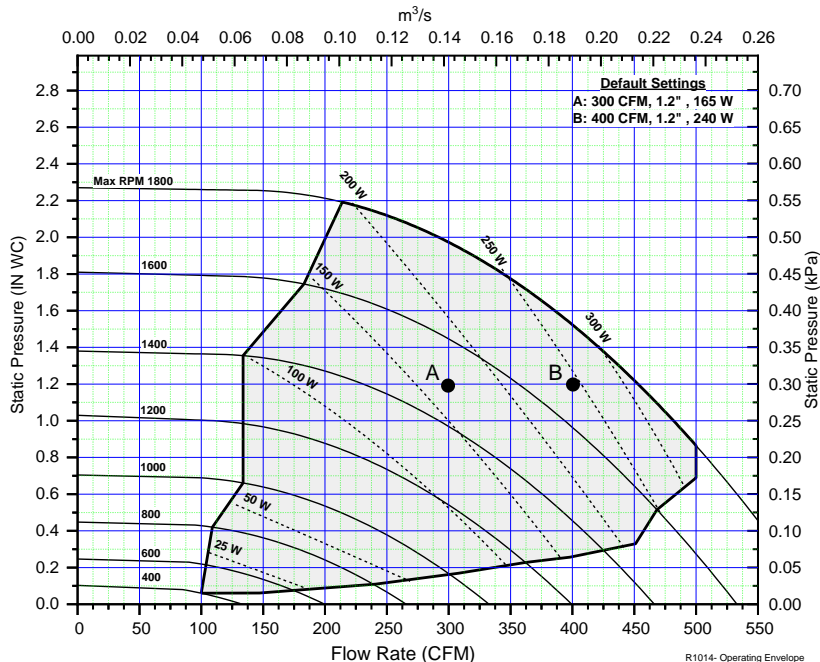
Date:

Tag #:

## BLOWER MODULE DIMENSIONS



\* Contact Unico for dimensions of assembled modules.



\* Shaded Area Represents the Operating Range

R1014- Operating Envelope  
 M1218EC  
 Rev. AR

Unico, Inc.  
<http://tech.unicosystem.com>  
 314-481-9000  
 800-527-0896  
[sales@unicosystem.com](mailto:sales@unicosystem.com)



Note – for continuous product improvement, Unico reserves the right to change specifications without notice.

© 2020 Unico, Inc., Arnold, MO. "Unico System" is a registered trademark of Unico, Inc. ([www.unicosystem.com](http://www.unicosystem.com))

SB-M1218BL1-EC.002 (20200128)

Page 2 of 2