

For: File Resubmit Approval Other _____

M2430R1 2.5-ton Return Air Plenum Module

Job Name:	Location:
Date:	Tag #:
Architect:	Engineer:
Mechanical:	Distributor:
Rep:	
(Company)	(Project Manager)



Features

- Blank side and top allow for custom, multiple-return openings
- Centrally located filter
- Heavy-duty closed cell insulation (no exposed fiberglass insulation)
- Filter access from both sides
- Standard Unico System 'latch' system

Matching Modules

M2430BL1-EC1/EC2
M2430CL1-B
M2430CL1-E
M2430CL1-C
M2430CL1-H

Indoor Unit Size

2430

General Data:

Dimensions (H x W x D)	17.5 x 25 x 14 in. (445 x 635 x 349 mm)
Total Return Opening	154 in ² (0.10 m ²)
Equivalent Return Opening Diameter	14 in (356 mm)
Filter Size	14 in x 25 in x 1 in (356 mm x 635 mm)
Maximum Airflow	850 CFM (400 L/s)
Maximum Velocity	350 FPM (1.78 m/s)
Initial Resistance	0.04 in. wg (10 Pa)

Model Number Key (available models):

M	2430	R	1
Model Series	Nominal Capacity	Module Type	Revision
M = Modular	2430 = 24000 to 30000 Btu/hr	R = Return Air Plenum	

Optional Accessories

- Hot water coil heating module (M2430CL1-H)
- Modular Variable Speed Air Handler (M2430BL1-EC*)
- Secondary drain pan, 2 module (UPC-20B)
- Secondary drain pan, 3 module (UPC-20C)
- Return adapter (UPC-104-2430)

Notes:

1. Refer to installation manual for more information.

M2430R1

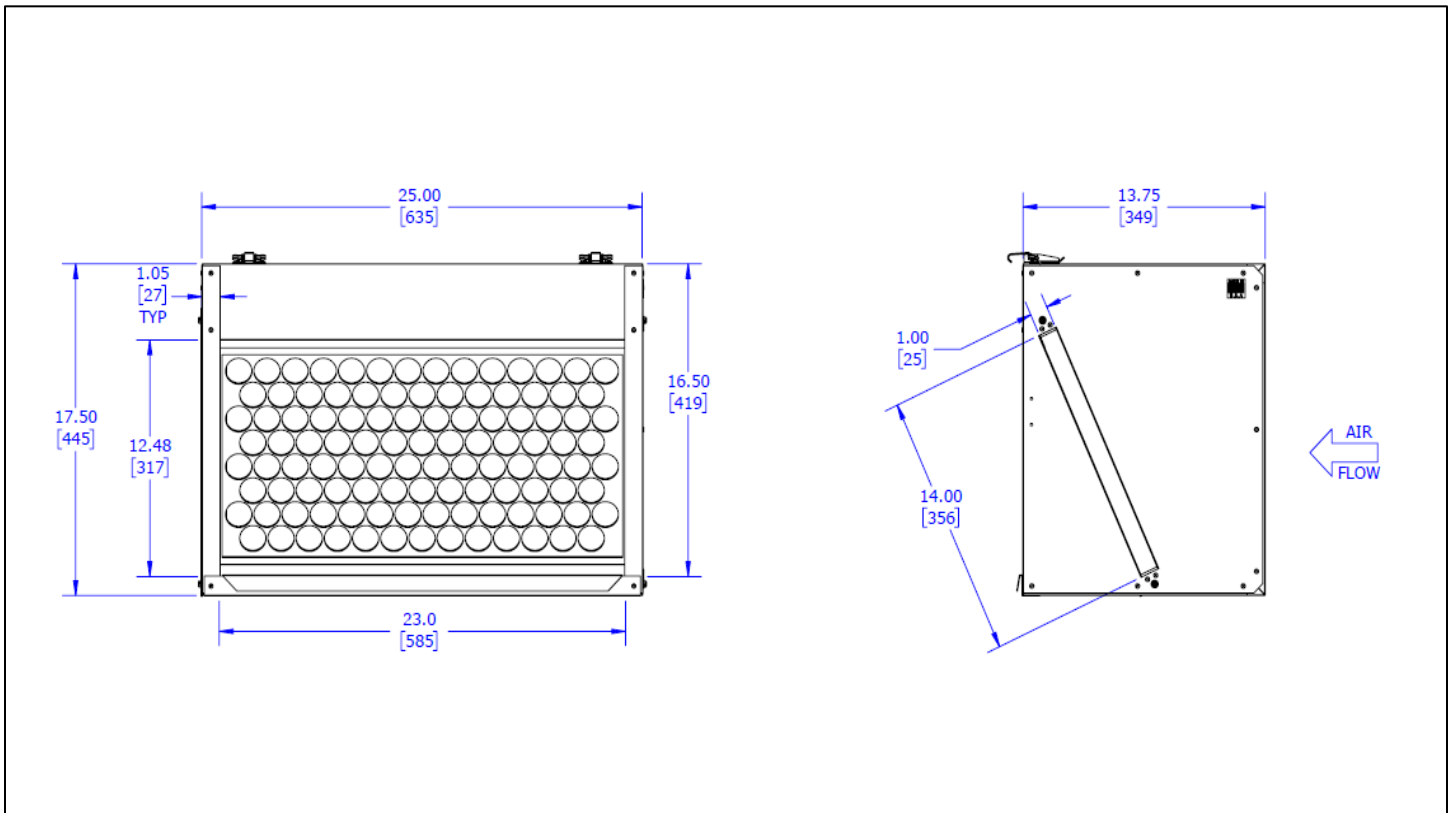
Job Name:

Location:

Date:

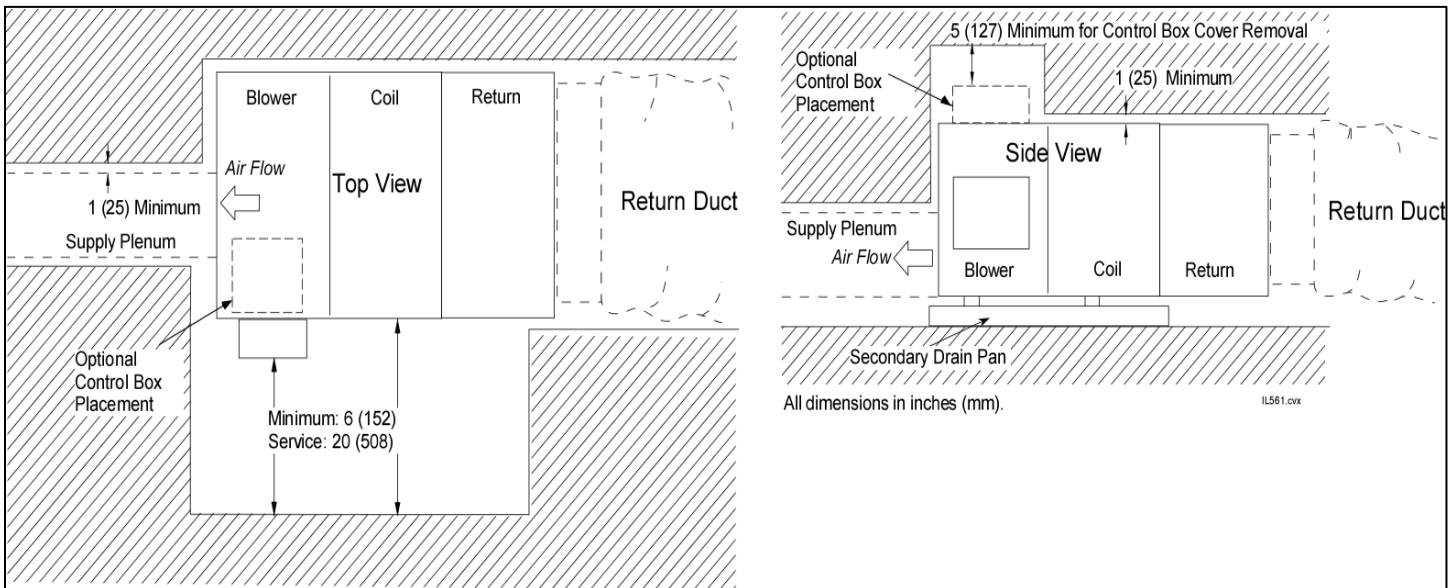
Tag #:

RETURN AIR PLENUM MODULE DIMENSIONS



* Contact Unico for dimensions of assembled modules.

Installation Clearances



Unico, Inc.
<http://tech.unicosystem.com>
 314-481-9000
 800-527-0896
sales@unicosystem.com

