

For:  File  Resubmit  Approval  Other \_\_\_\_\_

## M3036V2

### 3-ton Vertical Return Plenum Module

Job Name:	Location:
Date:	Tag #:
Architect:	Engineer:
Mechanical:	Distributor:
Rep:	

(Company)

(Project Manager)



#### Features

- Room for optional hot water coil with access from both sides
- Centrally located pleated filter
- Heavy-duty closed cell insulation (no exposed fiberglass insulation)
- Standard Unico System 'latch' system
- Includes secondary drain pan

#### Matching Modules

M3036BL1-EC1/EC2  
M3036CL1-B  
M3036CL1-E  
M3036CL1-C  
M3036CL1-H

#### Indoor Unit Size

# 3036

#### General Data:

Dimensions (H x W x D)	18.25 x 30 x 17.5 in. (464 x 762 x 445 mm)
Total Return Opening	201 in <sup>2</sup> (0.13 m <sup>2</sup> )
Equivalent Return Opening Diameter	16 in (406 mm)
Filter Size	18 in x 30 in x 1 in (457 mm x 762 mm)
Maximum Airflow	900 CFM (425 L/s)
Maximum Velocity	350 FPM (1.78 m/s)
Initial Resistance	0.4 in. w.g (100 Pa)
Drain Pan Dimensions	23.63 x 33.13 x 1.5 in. (600 x 842 x 38 mm)
Drain Pan Fitting	3/4" Socket x 3/4" MPT, SCH 40 PVC

#### Optional Accessories

- Hot water coil (HW-3036)
- Modular Variable Speed Air Handler (M3036BL1-EC\*)
- Return adapter (UPC-104-3036)

#### Notes:

1. Refer to installation manual for more information.

#### Model Number Key:

M	3036	V	2	1
Model Series	Matching ODU Nominal Capacity	Module Type	Revision	Options
M = Modular	3036 = 30000 to 36000 Btu/hr	V = Vertical Return Plenum		1 = Paint White

# M3036V2

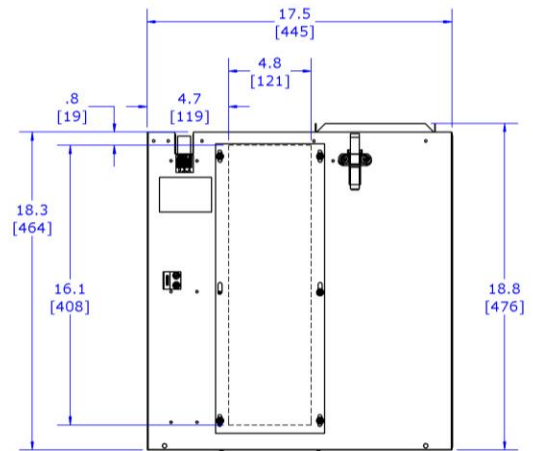
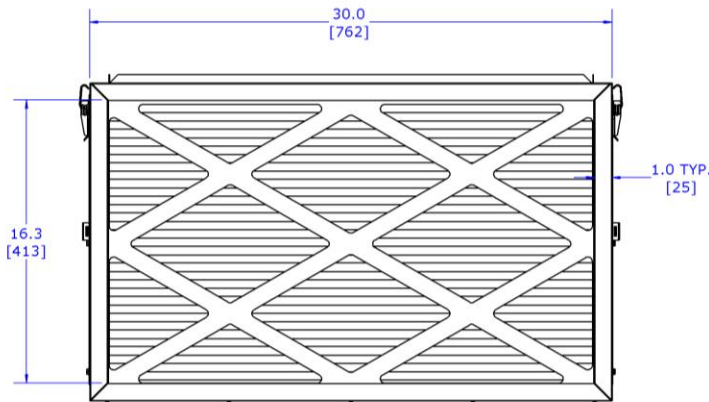
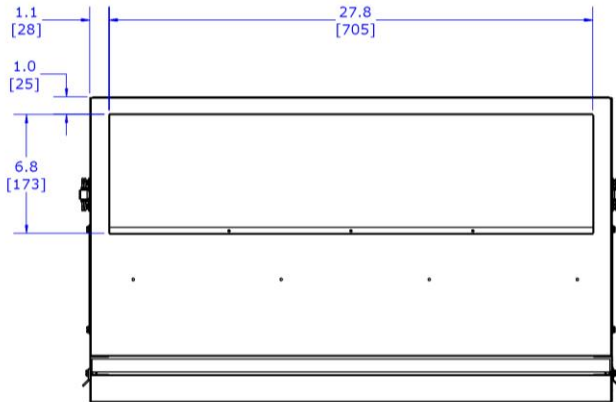
Job Name:

Location:

Date:

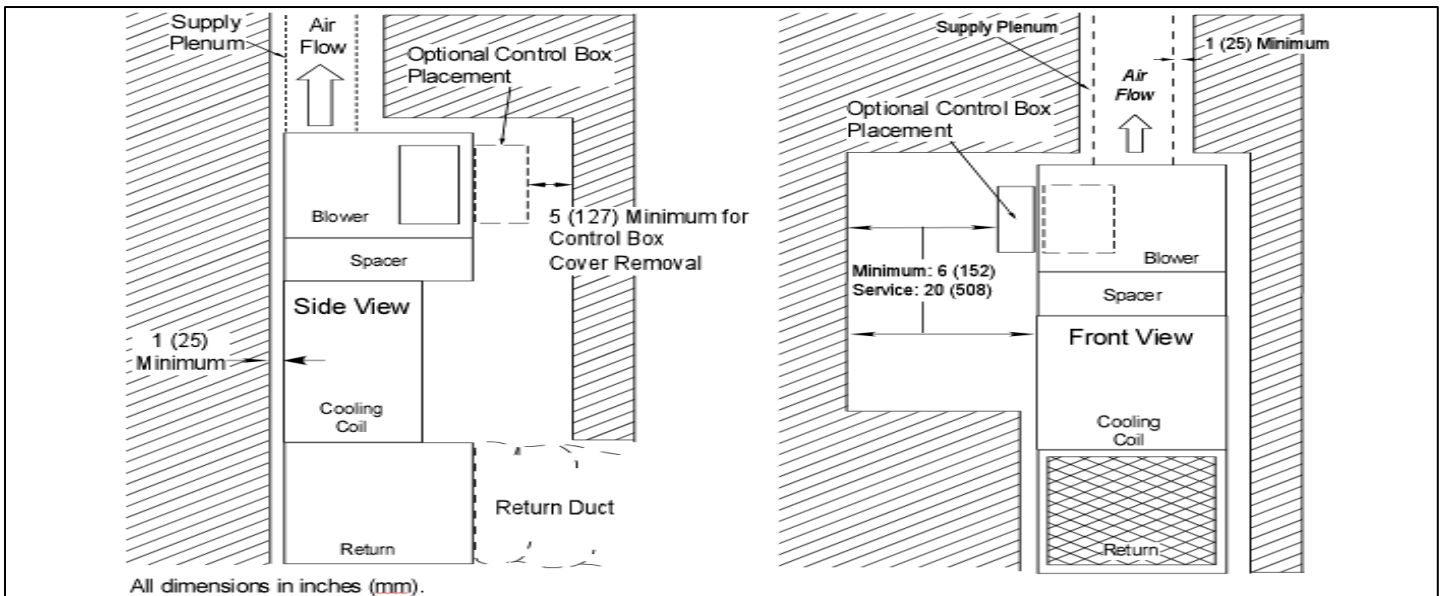
Tag #:

## RETURN AIR PLENUM MODULE DIMENSIONS



\* Contact Unico for dimensions of assembled modules.

## Installation Clearances



Unico, Inc.  
<http://tech.unicosystem.com>  
 314-481-9000  
 800-527-0896  
[sales@unicosystem.com](mailto:sales@unicosystem.com)

