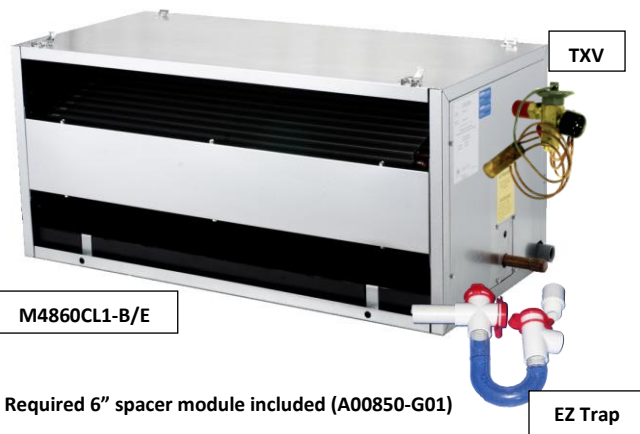


For:  File  Resubmit  Approval  Other \_\_\_\_\_

## M4860CL1-B/E

### 5-ton SDHV Modular Refrigerant Heat Pump and Air-conditioning Coil

Job Name:	Location:
Date:	Tag #:
Architect:	Engineer:
Mechanical:	Distributor:
Rep:	
(Company)	(Project Manager)



#### Features

- Modular construction
- Multiple configurations
- Use as cooling only or heat pump
- Painted options available
- Enhanced Aluminum fins
- Copper tubes
- Stainless steel drain pan
- Includes :
  - TXV (shipped loose)
  - EZ trap (shipped loose)
  - Anti-frost switch

#### Matching Modules

M4860BL1-EC1  
M4860BL1-EC2  
M4860BL1-ST2  
M4860V  
M4860R

#### Indoor Unit Size

# 4860

#### Operating Range

Nominal Capacity	5-ton (17.6 kW)
Airflow Range	300 to 1200 CFM (510 to 2039 m <sup>3</sup> /h)

#### General Data:

Compatible Outdoor unit nominal capacity	4.0 to 5.5-ton (14.0 to 19.3 kW)
Rated performance	see AHRI directory*
Net coil face area	7.44 ft <sup>2</sup> (0.69 m <sup>2</sup> )
Tube diameter	3/8 in. (9.52 mm)
Number of rows	3 (B) 4 (E)
Fin density	14/in. (551/m)
Design pressure	500 psig (3.45 MPa)
Refrigerant type	R410A, R22, R407C
Suction line size	7/8 in. (22.2 mm) OD
Liquid line size	3/8 in. (9.52 mm) OD
Drain size	3/4" FPT
Net unit weight	72 lbs. (33 kg)
Shipping Weight	89 lbs. (41 kg)
Dimensions (H x W x D)	17.5 x 38 x 18 in. (445 x 965 x 457 mm)

\* www.ahridirectory.org

#### Optional Accessories

- Control box extension cable, 98" (2.5 m) (A01525-G02)
- Hot water coil heating module (M4860CL1-H)
- Return air module with filter (M4860R1)
- Vertical base module with filter (M4860V1)
- Secondary drain pan, 2 module (UPC-24C)
- Secondary drain pan, 3 module (UPC-24D)
- Supply duct adapter, round (UPC-61-4860)
- Supply duct adapter, square (UPC-62-4860)
- Return adapter (UPC-104-4860)

#### Notes:

1. All wiring and piping must comply with applicable local and national code.
2. Refer to installation manual for more information.
3. Refer to AHRI directory for compatible outdoor match and rated performance.

#### Model Number Key (available models):

M	4860	C	L	1	-	B	W1
Model Series	Nominal Capacity	Module Type	Configuration	Revision		Style	Options
M = Modular	4860 = 48000 to 60000 Btu/hr	C = Coil	L = Left R = Right			B = 3 rows E = 4 rows	W1 = Paint White T = Technicote

# M4860CL1-B/E

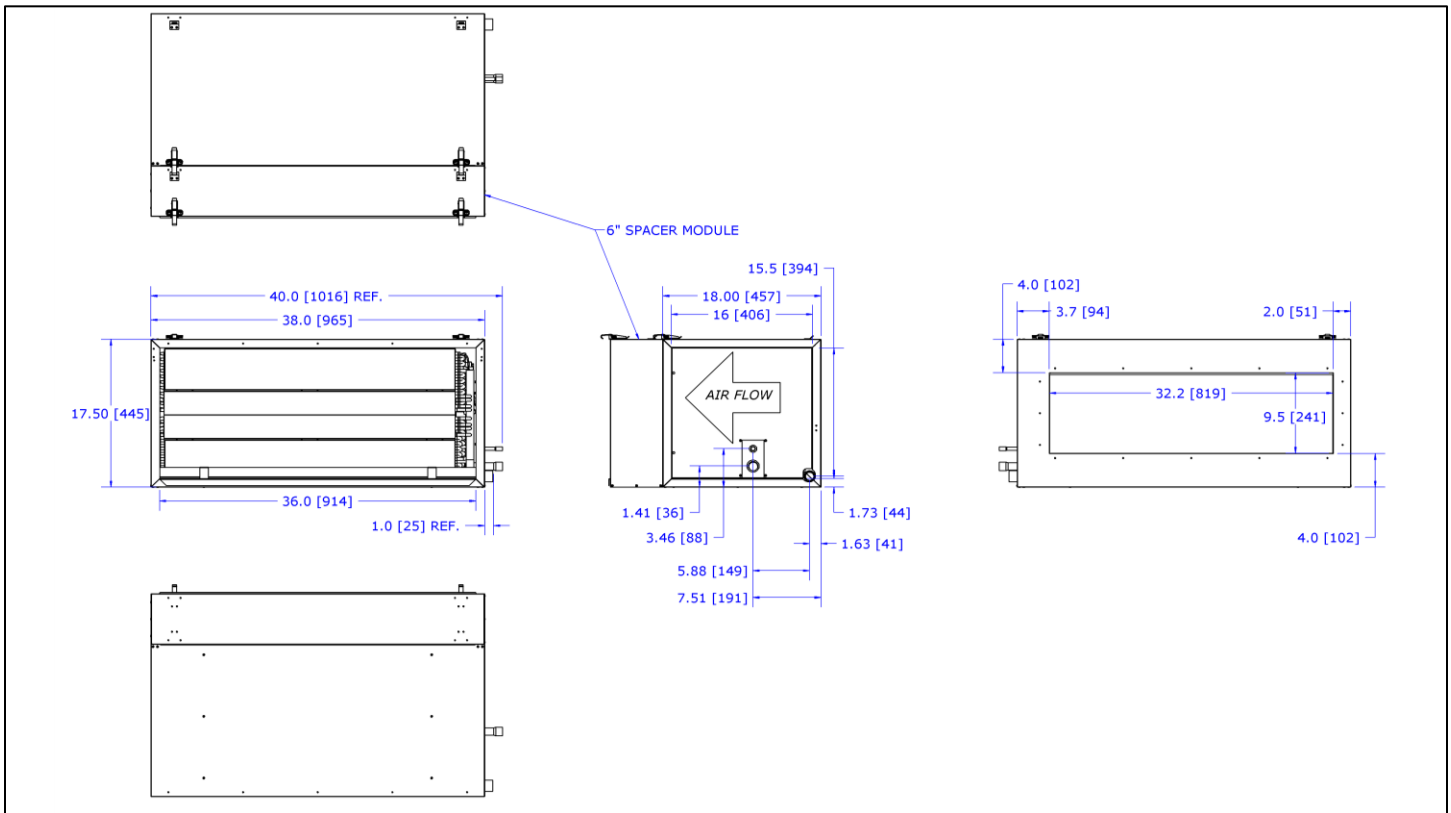
Job Name:

Location:

Date:

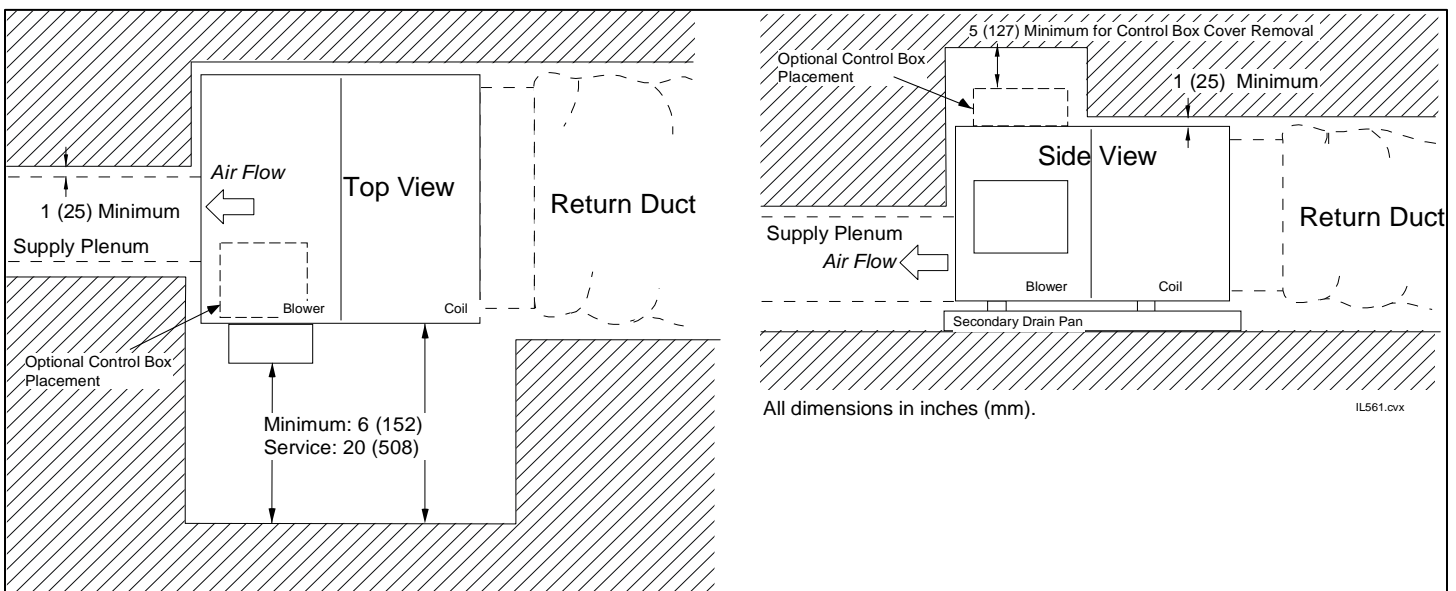
Tag #:

## REFRIGERANT COIL MODULE DIMENSIONS (LEFT HAND)



\* Contact Unico for dimensions of assembled modules or for right hand dimensions

## Installation Clearances



Unico, Inc.  
<http://tech.unicosystem.com>  
 314-481-9000  
 800-527-0896  
[sales@unicosystem.com](mailto:sales@unicosystem.com)



Note - for continuous product improvement, Unico reserves the right to change specifications without notice.

© 2017 Unico, Inc., Arnold, MO. "Unico System" is a registered trademark of Unico, Inc.

SB-M4860CL-BE.001 (20170815)

Page 2 of 2