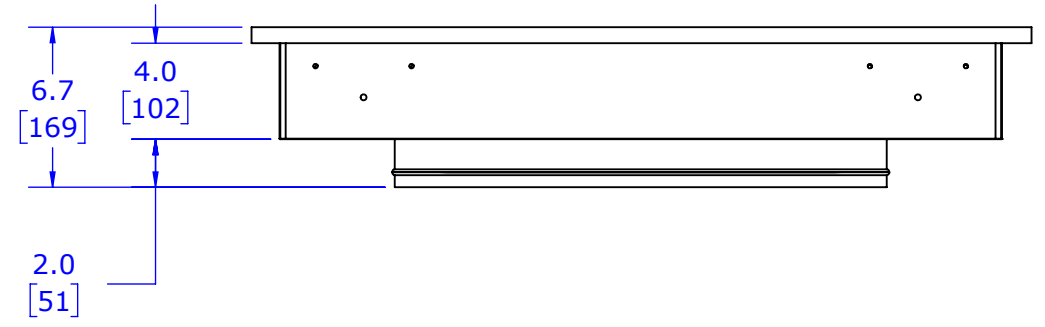


8 7 6 5 4 3 2 1

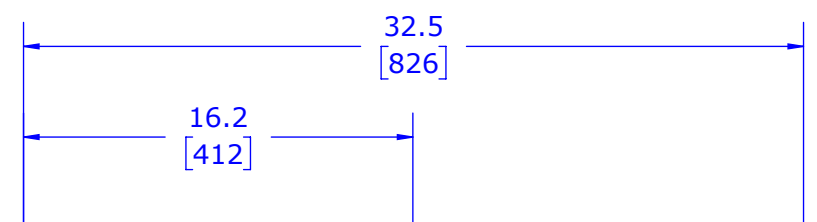
D

D



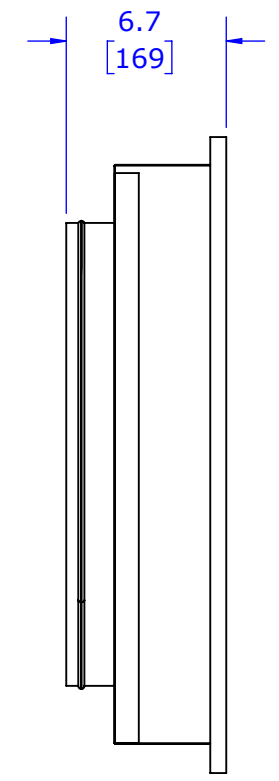
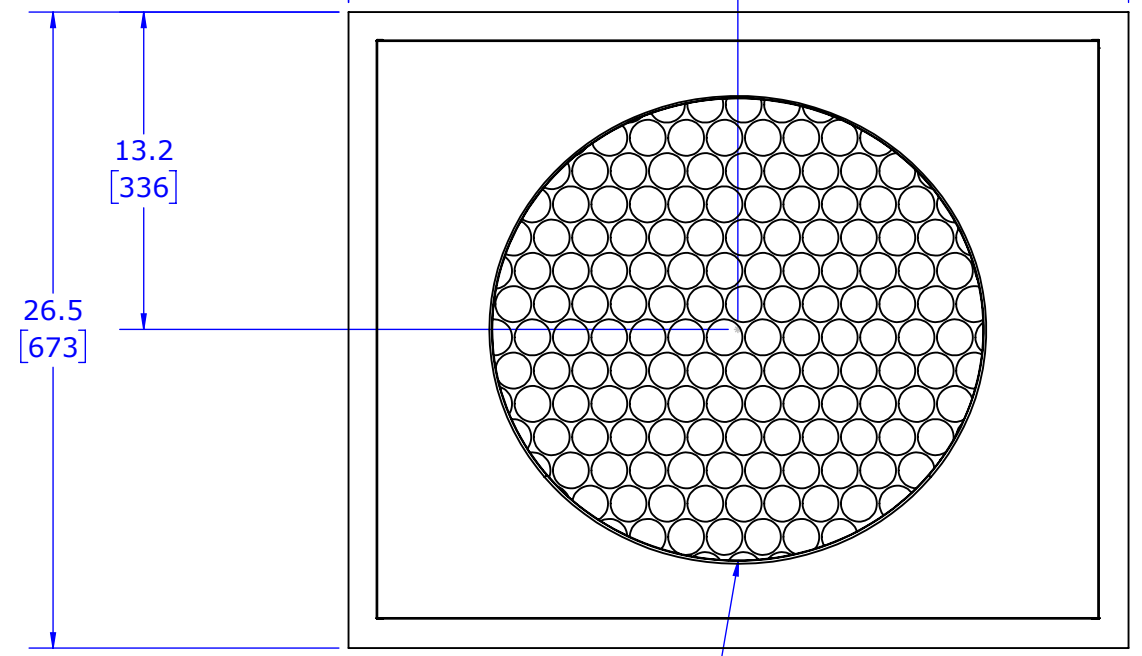
C

C



B

B



20.46" [520] X 19.25" [489]

A

A

NOTES:
 1. ALL DIMENSIONS ARE IN INCHES [MM] UNLESS OTHERWISE SPECIFIED.

DATE	MODEL NO.
11/07/17	UPC-01-4860

8 7 6 5 4 3 2 1