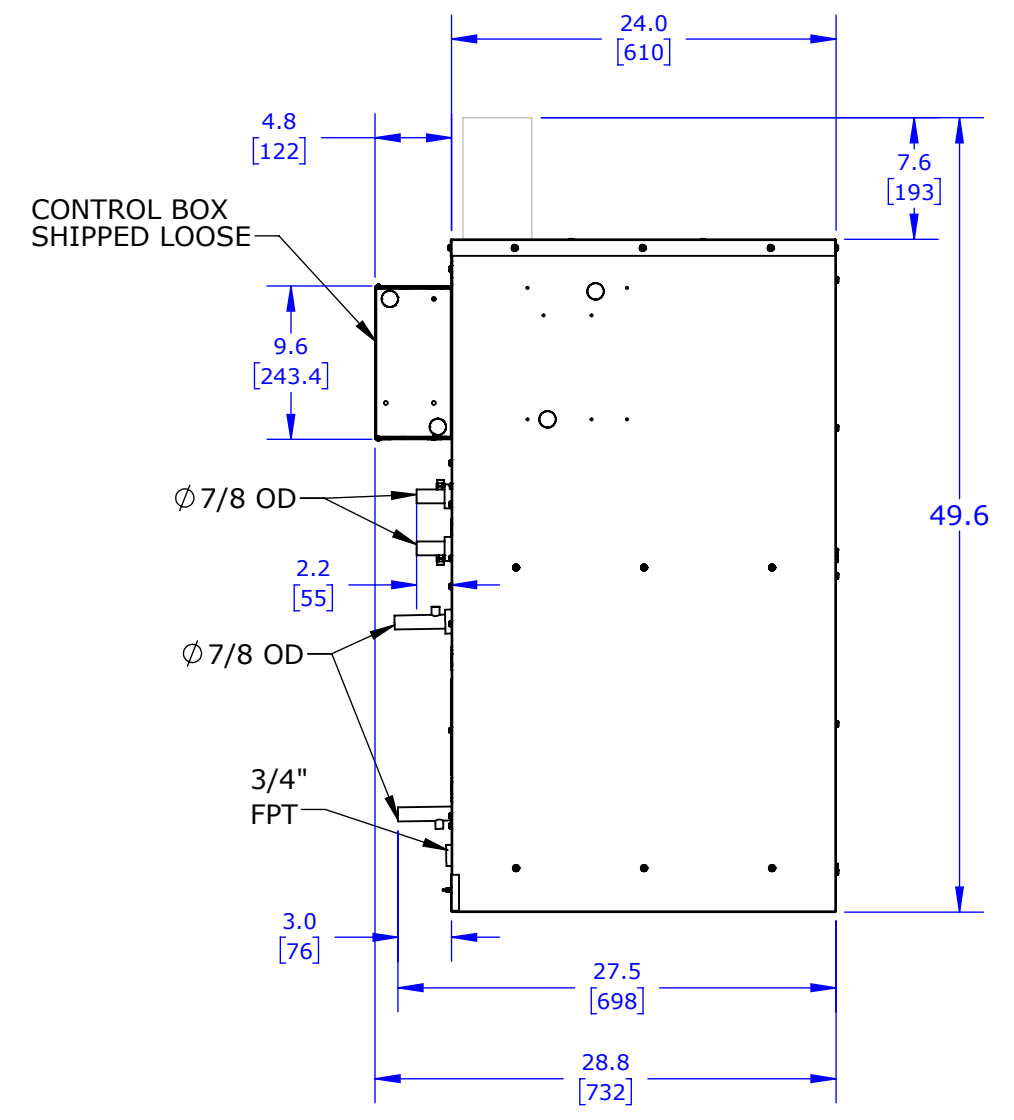
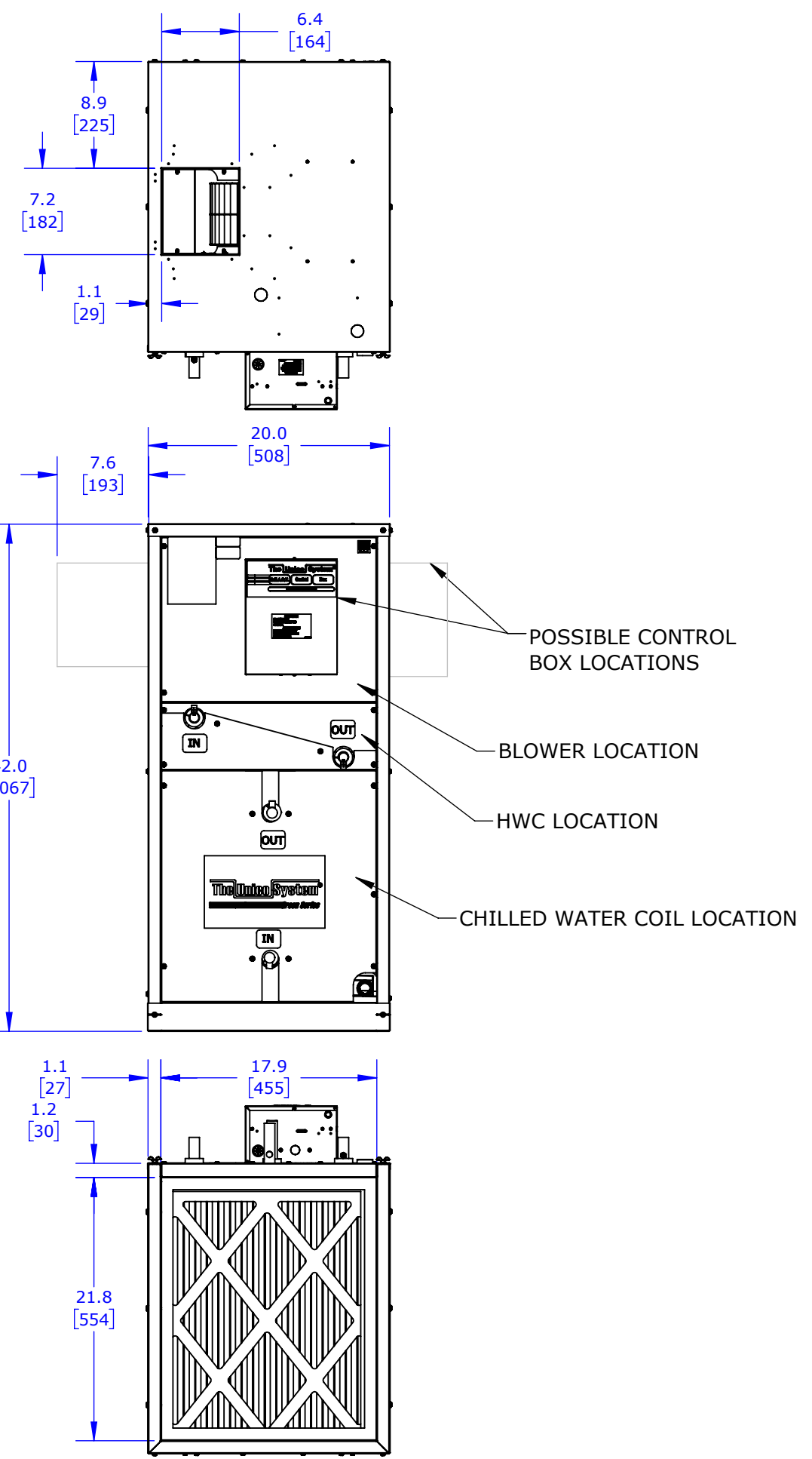


NOTES:  
 1. ALL DIMENSIONS ARE IN INCHES [MM] UNLESS OTHERWISE SPECIFIED.



DATE	MODEL NO.
04/12/18	V3036BL1-EC2CH