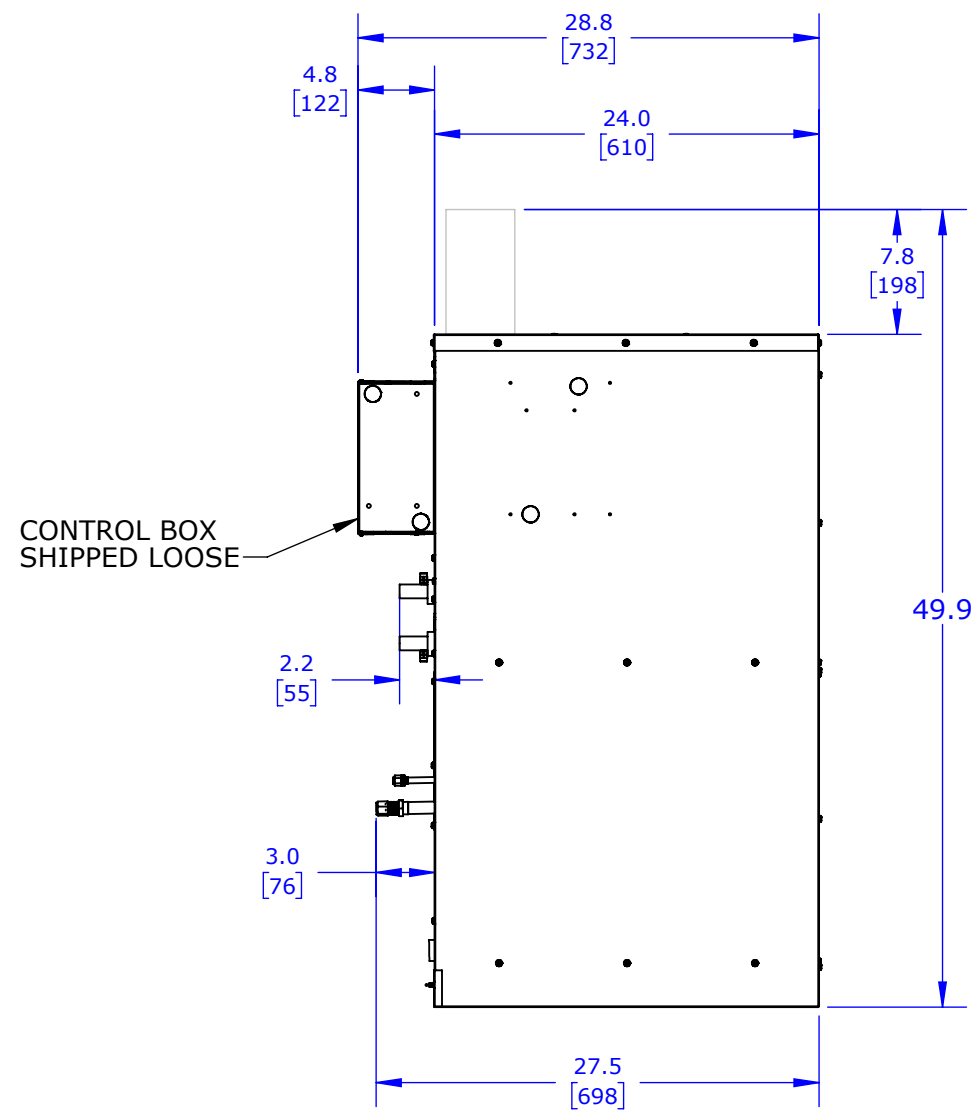
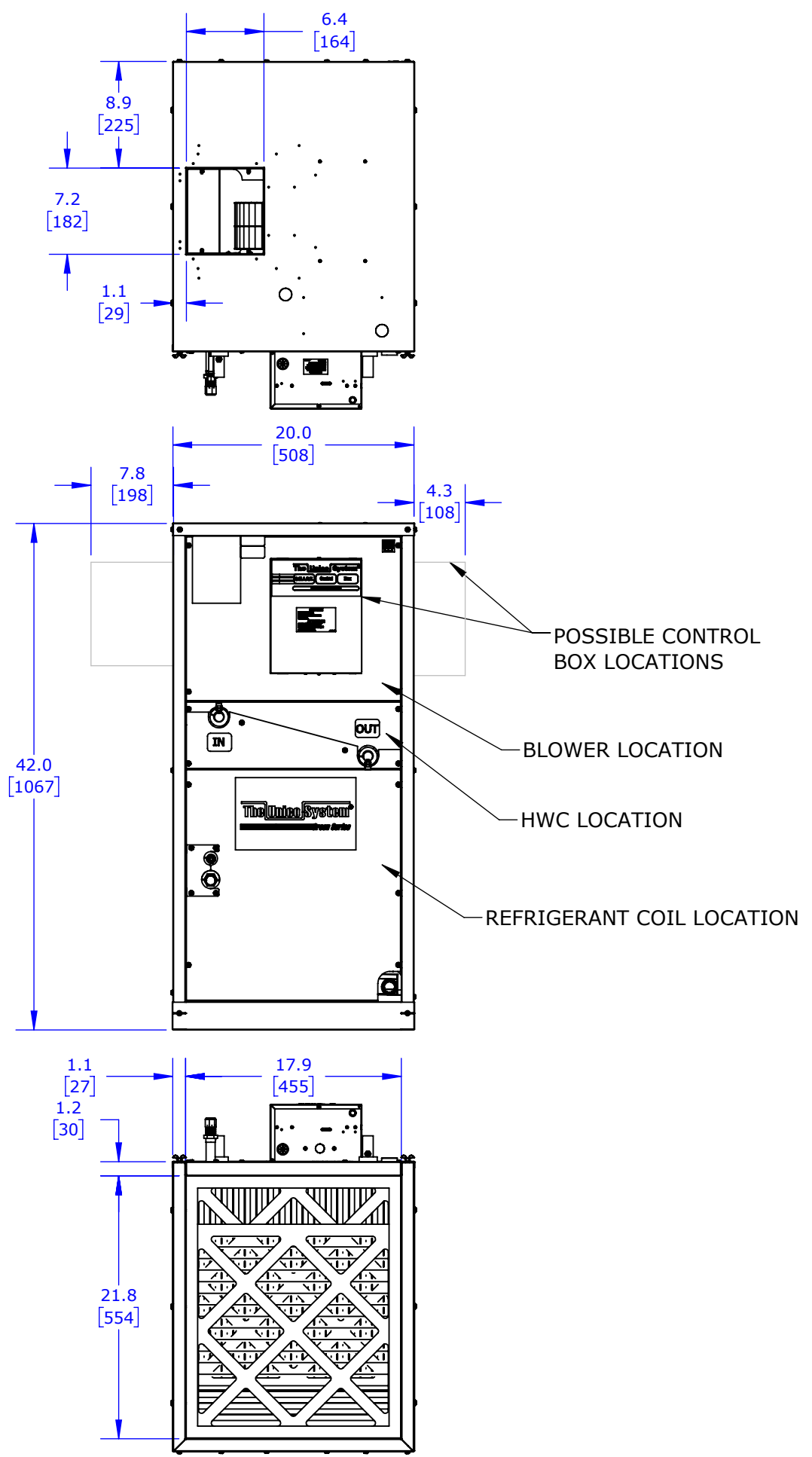


NOTES:  
1. ALL DIMENSIONS ARE IN INCHES [MM] UNLESS OTHERWISE SPECIFIED.



DATE	MODEL NO.
10/12/17	V3036BL1-EC2EH