

CX50 DC INVERTER AIR TO WATER HEAT PUMP (AWHP)

For Use with CX50-1 Units only This applies to CX50 units with a serial number between CX5022024001 and CX5022025020

Installation and Operation Manual CX50-1

Options for Heating, Cooling and Domestic Hot Water



PLEASE REVIEW ENTIRE MANUAL BEFORE PROCEEDING

PLEASE SUBMIT SYSTEM DRAWING & SCHEDULE A COMMISSIONING CALL BEFORE STARTING THE UNIT

CX50-1 Version 2.0

Table of Contents

Safety Precautions.....	Page 3
CX50 Components.....	Page 4
Hydronic Piping and Design.....	Page 5
Buffer Tanks.....	Page 8
Head/Pressure Drop Calculations.....	Page 9
Grundfos Pump Flow Curve	Page 11
Using Glycol.....	Page 12
Heat Pump Installation.....	Page 13
Valves G1, G2, G3.....	Page 21
Second Heat Source.....	Page 26
External T-Stat Control.....	Page 27
System Filling/Purging.....	Page 29
Using The Controller/Operation.....	Page 31
Settings Menu	Page 33
Administrator Functions and-Parameters.....	Page 39
Mode Switching	Page 40
C-Parameters, P-Parameters and Error code Lists	Page 42
Dynamic Outdoor Reset Control	Page 48
Auto Switch-Over	Page 50
Commissioning	Page 51
Footprint/Placement Dimensions	Page 52

IMPORTANT NOTE – MAKE SURE TO PROVIDE YOUR DESIGN DRAWING FOR APPROVAL BEFORE GETTING STARTED, INCLUDING DESIRED OPERATING TEMPERATURES.

Safety Precautions

NOTE: It is required to read the Safety precautions in detail before operation. The precautions listed below are very important for safety, please follow all safety precautions.

General

- Make sure that the ground wire in the building is securely connected to earth.
- Wiring tasks should be carried out by qualified electricians only, in addition, they should check the safety conditions of power utilization, for example, verify that the line capacity is adequate, and the power cable isn't damaged.
- Users must not install, repair or relocate the unit. Improper procedures might lead to accidents e.g. personal injury caused by fire, electrical shock or unit's falling off its base, and water leaking into the machine. Please contact a professional service department if problems arise.
- The unit shall not be installed at a spot with the potential hazard of leaking flammable gas. If gas is leaking near the machine, there might be the risk of explosion.
- Make sure that the foundation of the unit is stable. If the foundation is unstable, the outdoor unit may come loose from its base and cause injury.
- Make sure that the GFCI installed at the service panel is working properly to avoid shock or fires.
- If any abnormality occurs in the unit (such as a burning smell is noticed inside the unit), cut off the power supply immediately, and contact a professional service department.
- Please observe the follow items when cleaning the unit. Before cleaning, shut off the electric supply of the unit first to avoid injuries caused by the fan operation.
- Do not rinse the unit with water because the rinsed unit may cause electric shock.
- Make sure to shut off the electric supply before maintaining the unit.
- Please do not insert fingers or objects into air outlet or air inlet.

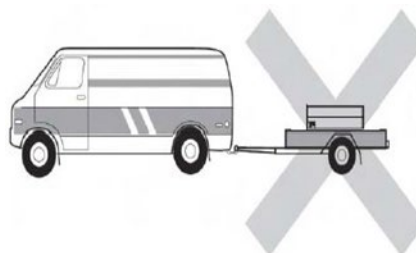
THIS UNIT CONTAINS CAPACITORS WHICH MAY HOLD A LARGE ELECTRICAL CHARGE EVEN WHEN THE UNIT IS OFF.



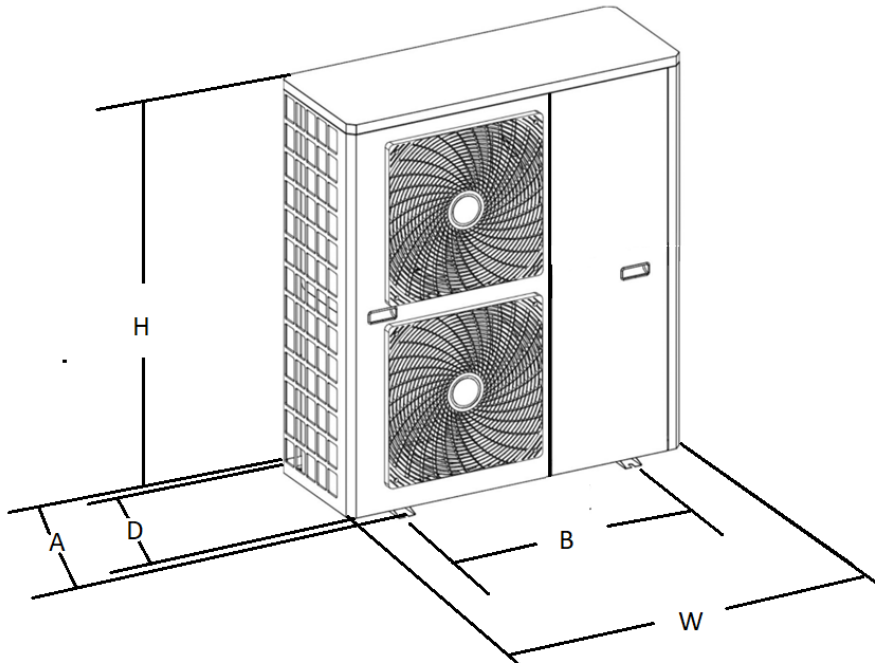
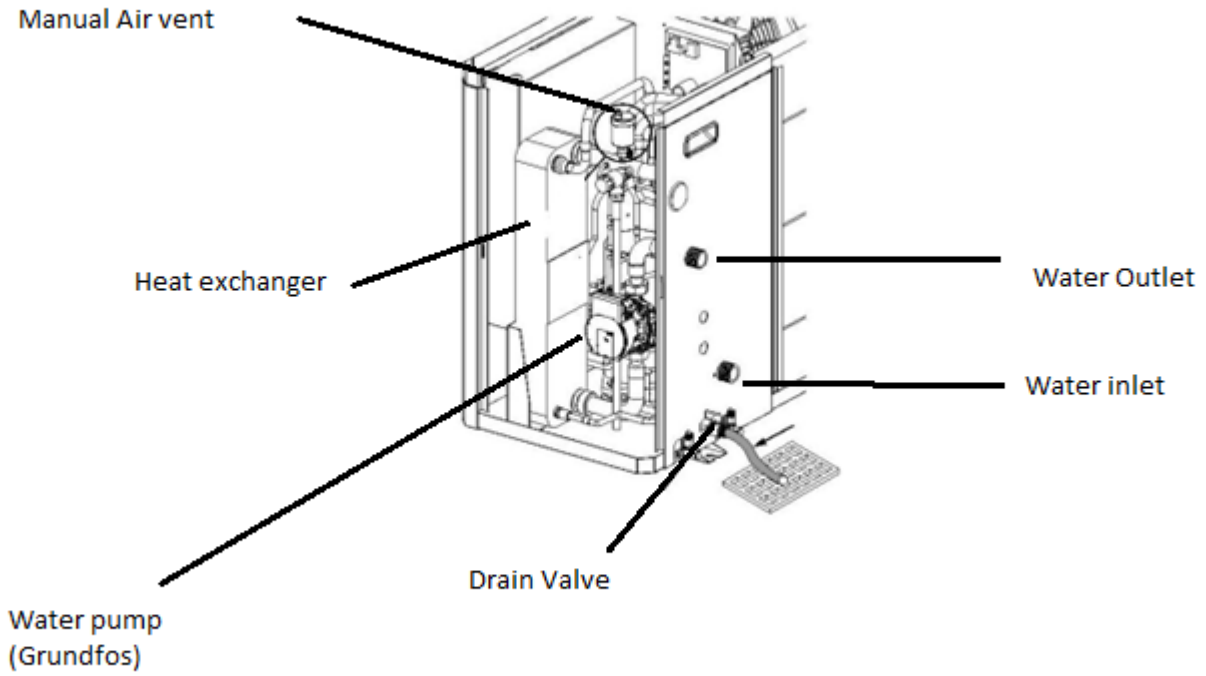
Use Refrigerant
R32

This unit uses R32 refrigerant. It is an A2L (mildly flammable) rated refrigerant. All refrigerant is self-contained in the outdoor unit.

Unit must always be transported, stored, and installed in upright position.



CX50 Components



Dim	Inches
A	17.5
B	29.5
D	17
H	50
W	44.5
D Inc Fan Shroud	18

See Design Guide Here
<https://www.chiltrix.com/documents/chiller-options.pdf>

PLEASE ALWAYS SUBMIT YOUR DESIGN TO
 CHILTRIX FOR APPROVAL

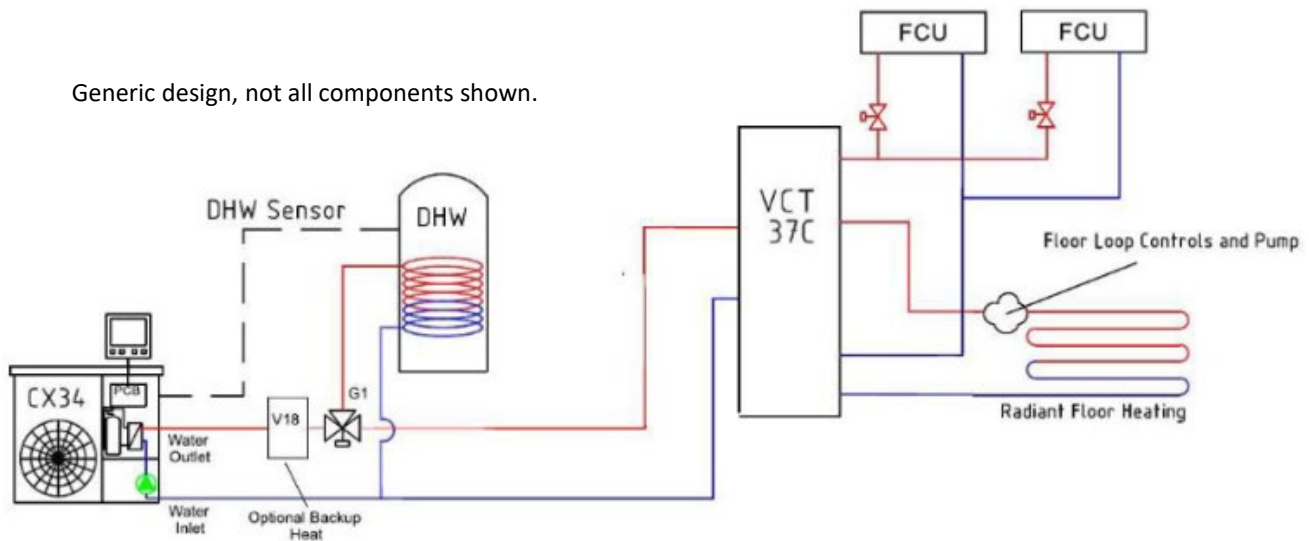
Hydronic Piping and Design Guide

Installation Methods Heating and Cooling (Heating Shown)

Note: Primary Secondary Piping or Closely Spaced Tees are NOT supported or recommended for use with this heat pump on the supply-side of the buffer tank, or anywhere in a system without a buffer tank.

A buffer tank must be used for radiant heating. A multi-port buffer tank such as VCT37 should be used to combine multiple heat pumps. Please do not try to balance multiple CX50 units with equal-piping or reverse return design. It will not work as expected due to having multiple variable speed pumps.

An “additional volume” tank must be used when there is no buffer tanks and there is less than 15 gallons of total system fluid volume. Below: Concept drawing, not all components shown.



Piping from the CX50 to the buffer tank is generally 1.25” PEX. Or you can adapt to 1.5” or 1” as needed. Minimum pipe size should be no less than 1”, CPVC or Oxygen Barrier PEX, reverse return piping is preferable to assist balancing. Reverse-return will not fully balance multiple chillers as the variable speed pumps may not always operate at the same speed. The installer should calculate the pipe and fitting resistance to determine the head pressure. See the examples on the following pages, maximum water flow for the CX50 is ~12 gpm, design flow is 8-10 gpm. If necessary, a second Chiltrix-provided PWM pump may be added to the loop and controlled by the CX50. The second water pump is always piped in series with the internal pump.

An air discharge valve should be installed at the top of the circulation system, if possible, for easy air discharge. As an alternative an automatic/manual air vent can be used inline before the pumps.

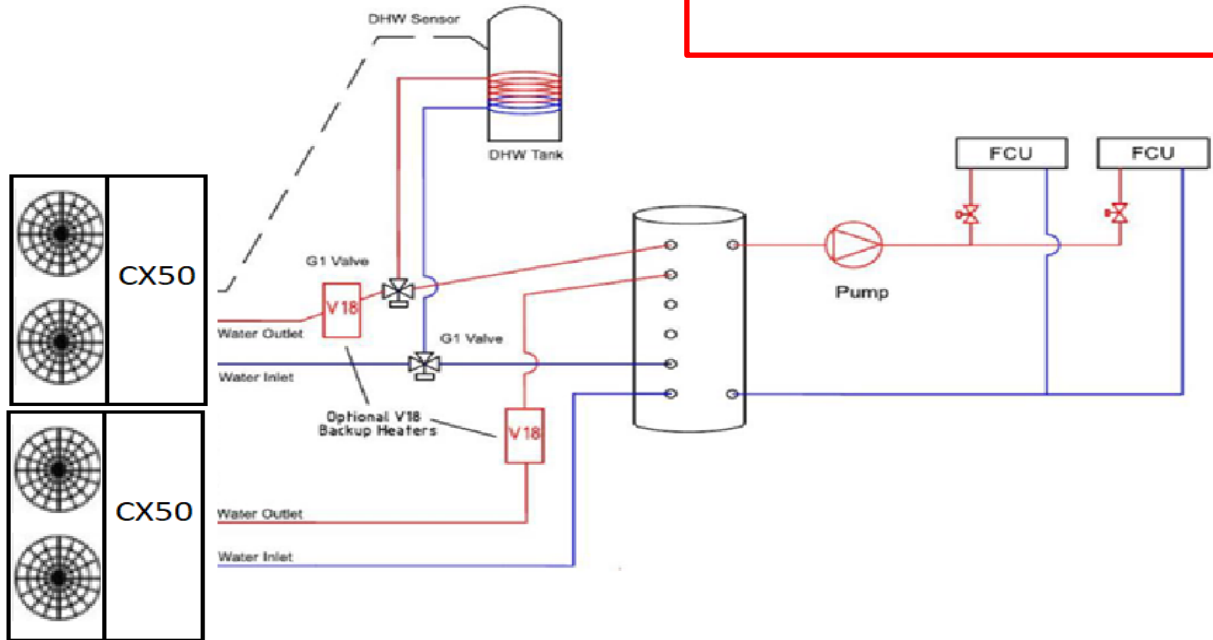
Always install a water filter or wye strainer on the return side pipe before it enters the heat pump to prevent blockage of the heat exchanger or pump/flow meter problems. Note, this is REQUIRED.

Do not use CPVC if glycol percentage will be above 25%. Do not use PVC.

Piping Examples: Stacked Heat Pumps

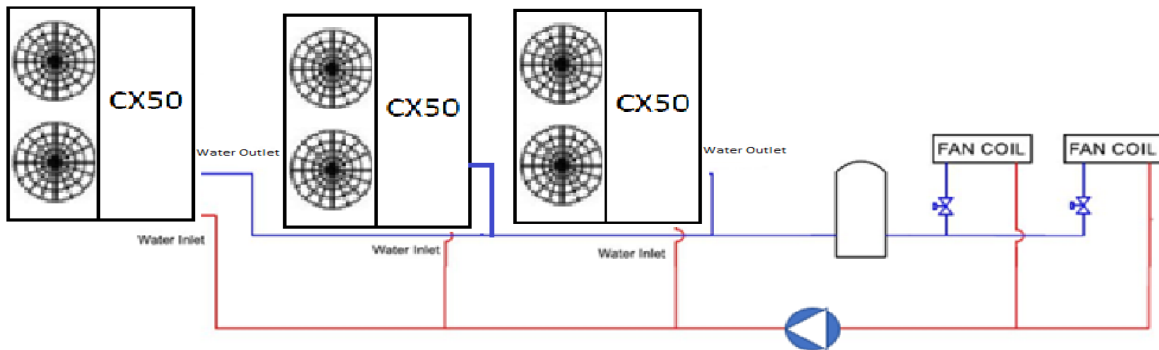
Preferred Method For 2 or 3 Units:

See Design Guide Here
<https://www.chiltrix.com/documents/chiller-options.pdf>
PLEASE ALWAYS SUBMIT YOUR DESIGN TO CHILTRIX FOR APPROVAL



Optional Method, multiple heat pumps piped in parallel:
 (Requires additional loop pump supplied by installer) This pump must have flow/head curve sufficient to overpower the total head/curve of both 2nd and any 3rd unit.

Non-Preferred Optional Method, multiple heat pumps piped in parallel:
 (Requires additional loop pump supplied by installer). The design below should be avoided if possible.

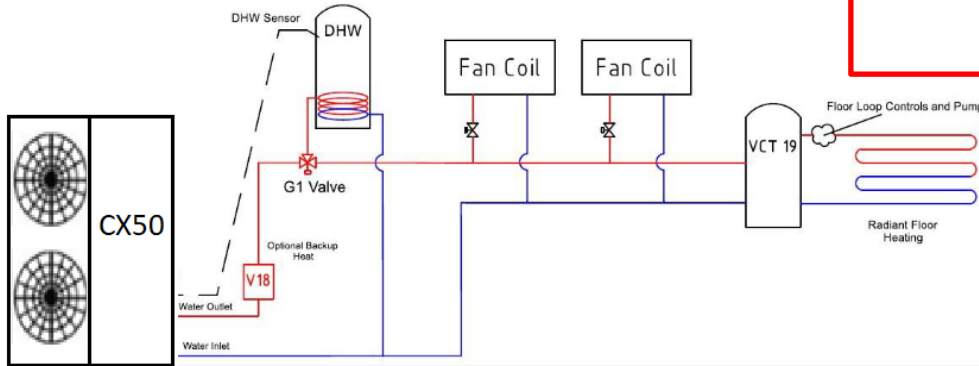


PLEASE SEND YOUR PROPOSED FINAL DESIGN TO CHILTRIX SUPPORT DEPARTMENT FOR APPROVAL, COMMENTS, AND SUGGESTIONS

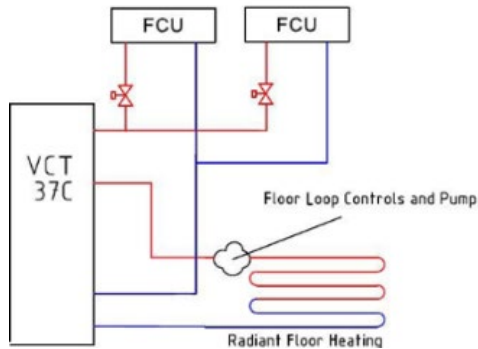
Piping Examples

See Design Guide Here
<https://www.chiltrix.com/documents/chiller-options.pdf>

**PLEASE ALWAYS SUBMIT YOUR DESIGN TO
 CHILTRIX FOR APPROVAL**



Note: The above “budget” design should not be used for more than 2x fan coil units. If more than two, consider using a VCT37 tank and locating the fan coil units on the load side of the buffer tank in parallel to the radiant. An ideal design would use a VCT37 tank so that you can locate the fan coil units on the load side of the buffer



PLEASE SEND YOUR PROPOSED FINAL DESIGN TO CHILTRIX SUPPORT DEPARTMENT FOR APPROVAL, COMMENTS, AND SUGGESTIONS

Pipe Insulation

All loop piping must be insulated per local and national mechanical codes. Any piping in a system with chilled water (used for cooling) must also be sealed vapor tight to prevent condensate issues. For design tips and a thickness calculator please visit

<http://www.armacell.us/knowledge-center/>

Using a Buffer Tank w/ Radiant

Example below shows optional DHW, optional V18 backup heater, and radiant. The radiant is attached to the load side of a buffer tank.

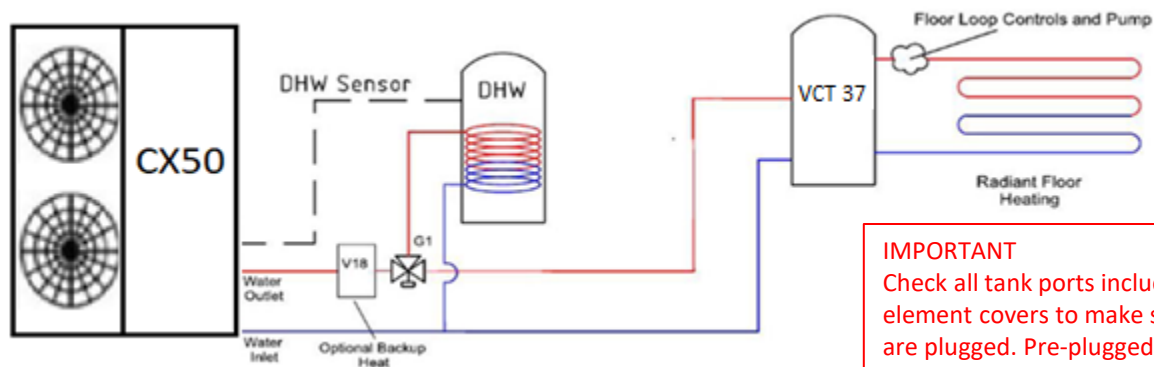
For V18b information please see the V18b Manual available on the Chiltrix website documents page.

For DHW or buffer tank installation information see the Chiltrix Tank Manual.

IF YOUR DESIGN INCLUDES TANKS, V18B, FAN COILS - YOU MUST READ THOSE MANUALS AS WELL.

See Design Guide Here
<https://www.chiltrix.com/documents/chiller-options.pdf>

**PLEASE ALWAYS SUBMIT YOUR DESIGN TO
 CHILTRIX FOR APPROVAL**



IMPORTANT
 Check all tank ports including under any element covers to make sure any unused ports are plugged. Pre-plugged ports may be only finger-tight. Check ALL ports and plugs for water tight fit.

Primary / secondary piping is not supported, when connecting to a floor heating loop always use a buffer tank. Buffer tanks are generally needed only with floor heating with the Chiltrix system, or to combine multiple CX50 units, but are still always recommended to improve performance.

IMPORTANT NOTE ABOUT BACKUP HEAT

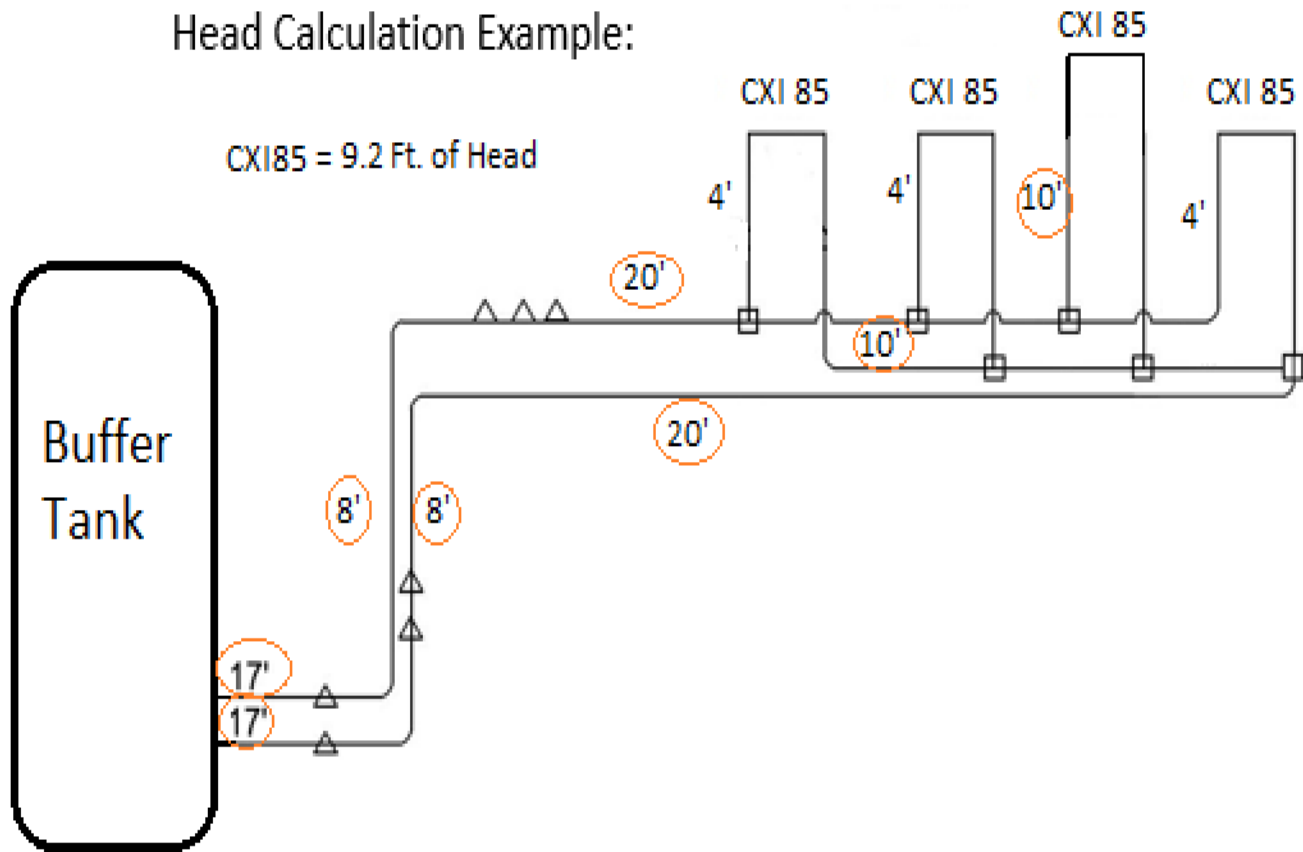
Do not ever use heating elements in a buffer tanks for backup heat. The element capabilities of the buffer tank are provided for emergency heat only. Not “backup” heat. Contact Chiltrix with any questions about emergency or backup heat options. See details in the Chiltrix Tank Manual.

The radiant loop pump in the buffer tank drawing is controlled by the customer’s manifolds, floor loop controls, valves, load-side pump, etc. The buffer tank isolates the pumps from each other providing hydraulic separation and thermal buffering.

A 37 gallon buffer tank is used generally for best performance with a single CX50. A 50-80 gallon tank is used for systems of two or three CX50s, and is always used when multiple CX50s are to be combined. A G3 seasonal valve may be used to isolate the tank in cooling mode, if applicable, note that isolating the buffer tank in this manner may cause the need for an additional volume tank to be added.

See more designs here:
<https://www.chiltrix.com/documents/chiller-options.pdf>

Head Calculation Example:



The above is for sizing a load-side pump. To calculate the head pressure for the correct water flow, the pipe length must be measured and all fittings and elbows counted. It is advisable to use flexible red oxygen barrier PEX piping and route it so as to avoid as many elbows as possible.

All fittings have an equivalent length of pipe already calculated, available on the next page under PEX Fittings Pressure Drops.

All measurements in feet

6 Tees @ 2.3ft. Of pipe = **13.8** ft. of pipe

7 Couplings @ 1.3 ft. of pipe = **11.7** ft. of Pipe

120' of actual PEX Pipe

145.5' of PEX @ 4.76 GPM and 10% Propylene Glycol

145.5' x .05 = **7.02** ft. of Head per length of pipe based on frictional losses

CXI 85 Fan Coils = **9.2** ft. of Head

Total Head = **16.2** ft.

If you need help sizing a load-side pump please send us the detailed piping schedule so we can assist you.

Head Calculations - Continued:

The previously shown example loop has a volume of 4.5 gallons. The internal thermal expansion tank is 2 liters or .52 Gallons. The volume of the CX50 is 4.5 liters. An additional thermal expansion tank will generally be needed. There are many thermal expansion calculators on the internet, the following is an example.

<http://westank.com/calculator/>

Minimum loop pressure is 14.5 psi, maximum pressure is 43.5 psi, and ideal pressure is 20-30 psi. The lowest temperature is 44°F, the highest temperature is 131°F, the Initial pressure is 14.5 psi, and the final pressure is 29 psi.

A microbubble air separator should be installed in the loop preferably in the higher part of the loop to remove any air in the circulation loop. Always install a water filter or wye strainer on the supply pipe near to the CX unit to prevent blockage of the heat exchanger or damage to flow meter.

Pex Nominal size Inches	Volume per Foot Gallons
0.38	0.0053
0.50	0.0096
0.63	0.0139
0.75	0.0189
1.00	0.0313
1.12	0.0467
1.50	0.0652
2.00	0.1116



WYE STRAINER (from supplyHouse.com)

THE WYE STRAINER SHOULD BE CLEANED OUT AFTER 1-2 DAYS OF OPERATION TO REMOVE ANY COLLECTED DEBRIS REMAINING FROM INSTALLATION



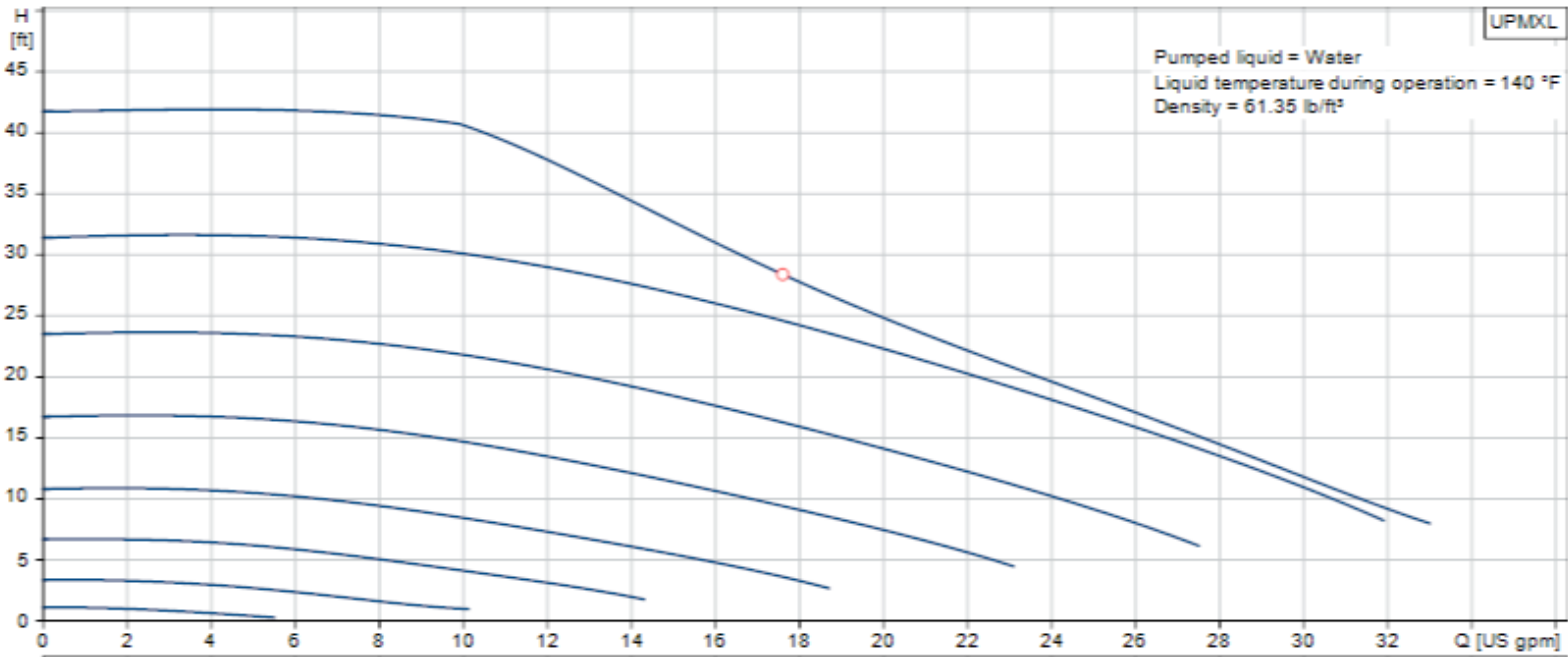
Watts AS-MB
Microbubble Air Separator

PEX Brass Crimp Fittings

Friction Loss - Equivalent Feet of PEX Tubing

Size	Coupling	Elbow	Tee Run	Tee Branch
3/8"	2.9	9.2	2.9	9.4
1/2"	2.0	9.4	2.2	10.4
3/4"	0.6	9.4	1.9	8.9
1"	1.3	10.0	2.3	11.0

GRUNDFOS UPMXL 25-124 230V PWM



This is the Grundfos XL pump head curve for Chiltrix CX50

Note, the CX50 itself has 16 Ft. Head at 10 GPM.

This leaves about 24 ft of head net of the chiller.

Glycol

While not always required, customers in colder climates that are subject to occasional freezing should add an appropriate percentage of food-grade propylene glycol to the system. NEVER USE ETHYLENE GLYCOL. Ethylene Glycol is a poison. Propylene Glycol is a non-toxic anti-freeze also used in food, cosmetics, etc. and can safely be used. **IF YOU ARE IN AN AREA THAT MAY HAVE <32 °F WEATHER YOU SHOULD CONSIDER GLYCOL. FREEZE DAMAGE FROM LACK OF GLYCOL IS NOT COVERED UNDER WARRANTY.**

Food-Grade Glycol is available at Home Depot and other retailers. You may also consider HSE Corn Glycol (Biodegradable Food-Grade Glycol made From Corn)

<https://www.hotspotenergy.com/corn-glycol/>

Below is a Freeze Point Chart For Propylene Glycol Mixed w/ Water

		Freezing Point						
Propylene Glycol Solution (%)	<i>by mass</i>	0	10	20	30	40	50	60
	<i>by volume</i>	0	10	19	29	40	50	60
Temperature	°F	32	26	18	7	-8	-29	-55
	°C	0	-3	-8	-14	-22	-34	-48

Flow Rates

Required flow rate changes with the glycol %.

Note the “500” formula water factors are adjusted as follows.

Water Factor (WF)

- 00% glycol use 500
- 10% glycol use 494
- 20% glycol use 488
- 30% glycol use 480
- 40% glycol use 463
- 50% glycol use 442

Where, $BTU = WF * GPM * 10$

Use 10 as GPM

Example:

Based on load calculations a given system needs to deliver a maximum of 31,000 BTU with 30% glycol:

$$31,000 / 480 / 10 = 6.45 \text{ GPM}$$

(BTU/water factor/10F=required flow rate)

NOTE:

When using **CPVC piping** it is highly recommended that you do not exceed a 25% glycol to water ratio. Environmental Stress Cracking, also referred to as ESC, may occur. Do NOT use PVC piping.

Use the required flow rate to calculate head based on the Head Flow Curve on the following page.

Minimum pump operating speed can be set at P69, minimum speed setting used should not produce a flow rate in your system of less than 10 L/min and generally should not be set lower than 40%. Pump speed can be monitored at C51, 1 is lowest (idle, when compressor off) and 10 is highest speed. Actual water flow can be monitored on the desktop (GPM) and at C47 (liters per minute). **Test at full pump speed.** 1 L/min = .264 GPM // 1 GPM = 3.78 L/min

Chiltrix Heat Pump Installation

Heat Pump Installation

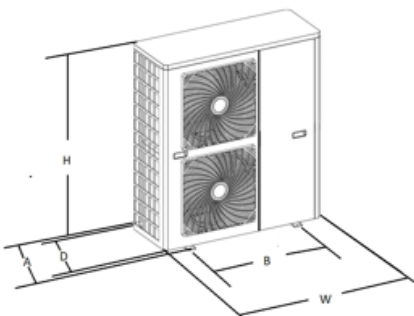
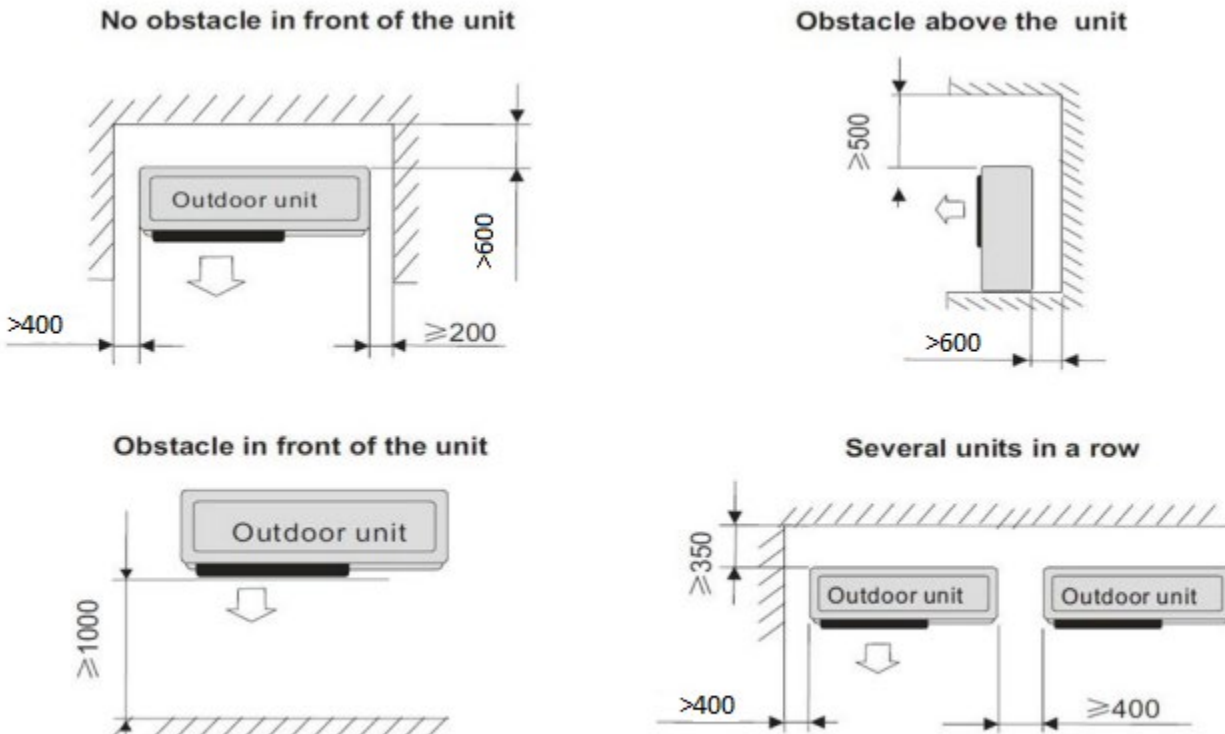
Installation position

Note: Installation must be carried out by professional personnel.

The recommended mounting pad should be at least 1 ½” above ground level. If you are in an area where snow or flood occurs, mount the unit high enough above grade to avoid blockage or damage. You can consider a properly rated wall mount if desired.

Proper drainage is required at the heat pump unit to avoid flooding the outdoor unit with water or ice. Make sure condensate has a way to rapidly and completely drain away from the unit. To install the unit on a balcony or on top of a building, the installation site must meet the allowable load bearing capacity of the building structure without affecting the structural safety. Ensure the unit is well ventilated; the direction of air exhaust should be kept away from the windows of neighboring buildings. Adequate service clearance should be kept around the unit. The unit should not be installed in places accompanied with oil, inflammable gases; corrosive components e.g. sulfur compound, or high-frequency equipment.

Below shown in millimeters:



Dim	Inches
A	17.5
B	29.5
D	17
H	50
W	44.5
W Inc Fan Shroud	18

Outdoor Unit Placement / Clearances
 (Unit: mm) 200mm = 8” , 350mm =14 ”,
 400=16”, 500=20” ,600 = 24”, 1000=40”

Chiltrix Heat Pump Installation

NOTE: The CX50 is shipped with the pump in a separate box attached to the top of the unit. Please follow the directions below to install the "C4" Grundfos internal pump.

Internal Pump Installation

(Remove Top, Front, and Right Side Covers) **DO NOT BEND OR STRESS THE PIPING**, this may cause a broken joint or leak where it joins the heat exchanger. Cut the insulation and peel it back out of the way of the flange nuts. This will allow installation of the pump without bending either of the pipes. The pump will slide in between the pipes with the washers.



Peel back the insulation

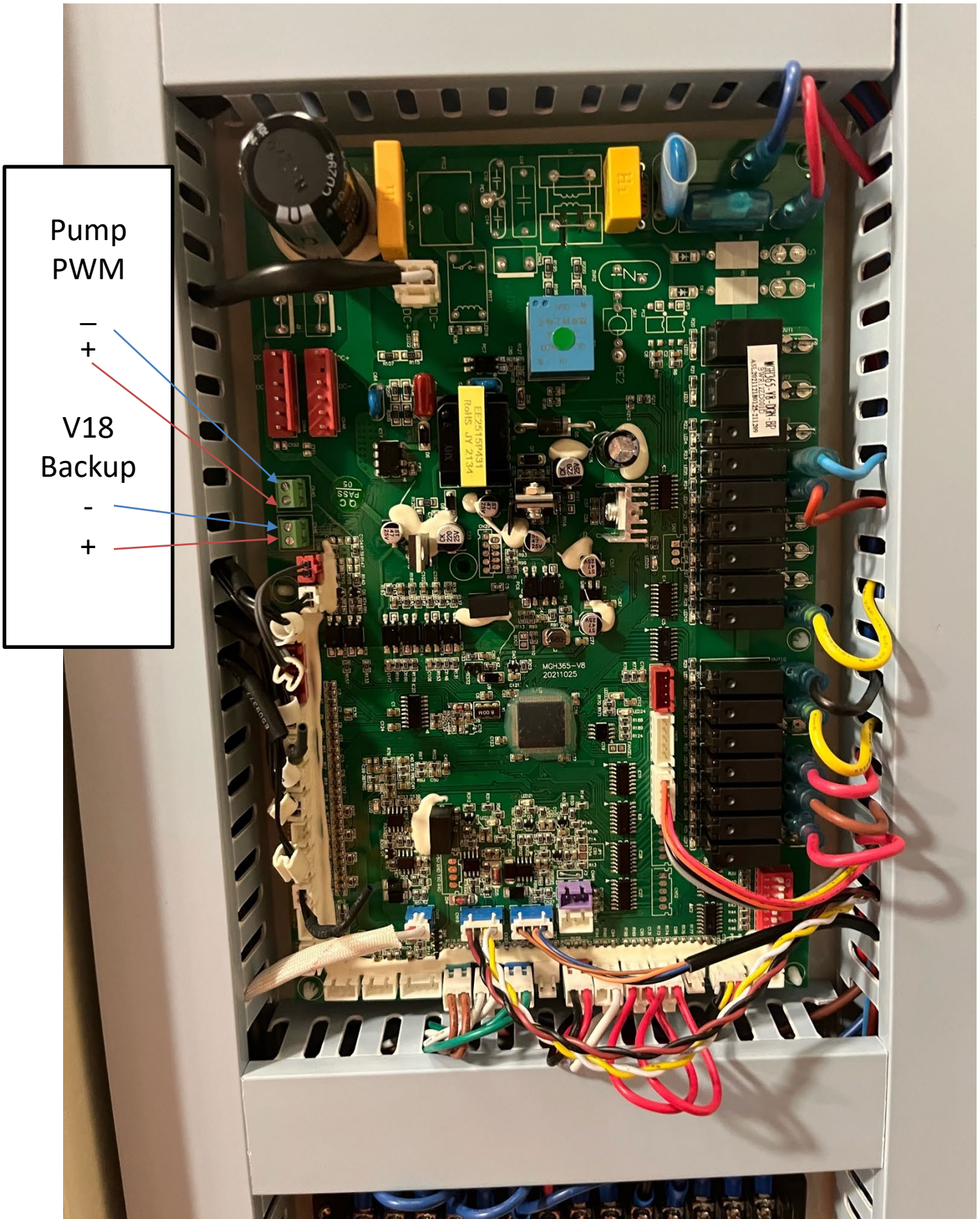


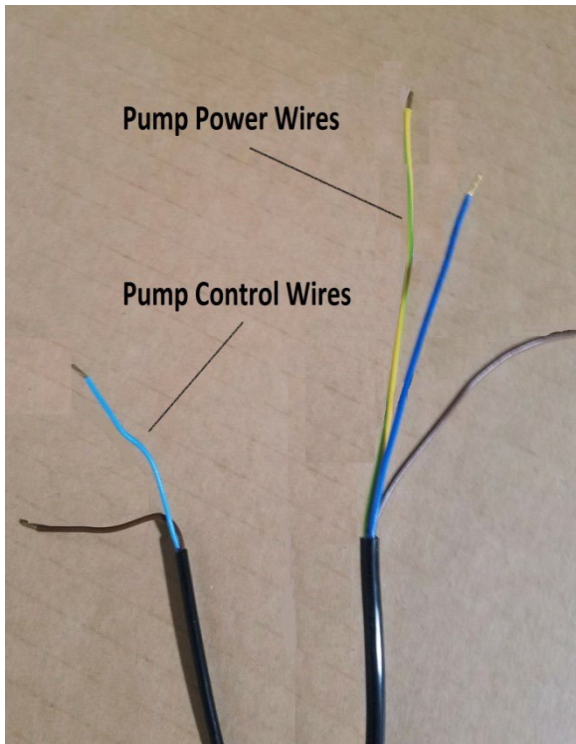
Removing the shipping spacer



Note the orientation.

Internal Pump Wiring

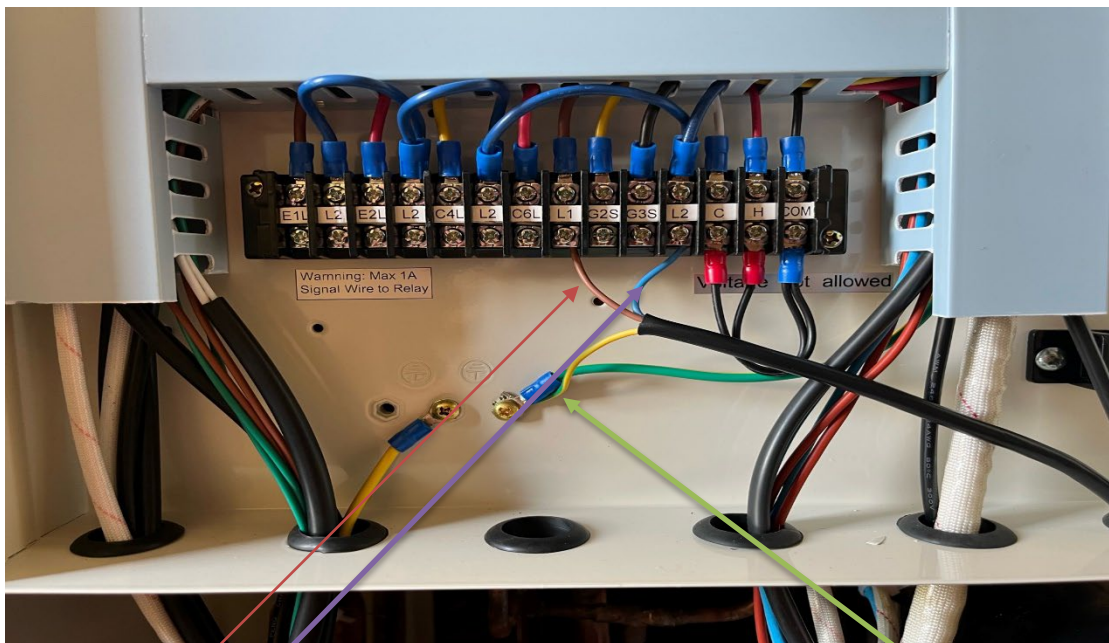




V18	Pump
PWM	PWM
CN46	CN45
+ -	+ -



The blue and brown pump **CONTROL WIRES** are connected to the (+ & -) on the Pump PWM terminal connector at the top of the main control pcb. Not you can use L1 and L2 as power wires for the pump, you may also use C4L and L2 for power wires for the pump, color does not matter for L1 and L2 as long as you utilize the power cable bundle that has the yellow and green wire in it. The cx50 will accept it both ways.



Pump **POWER** wires.

Pump **GROUND** wire.

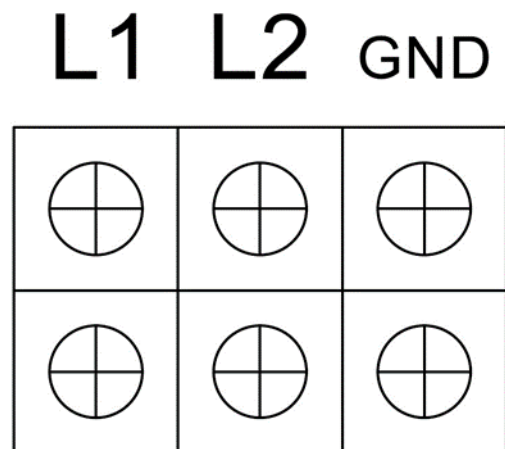
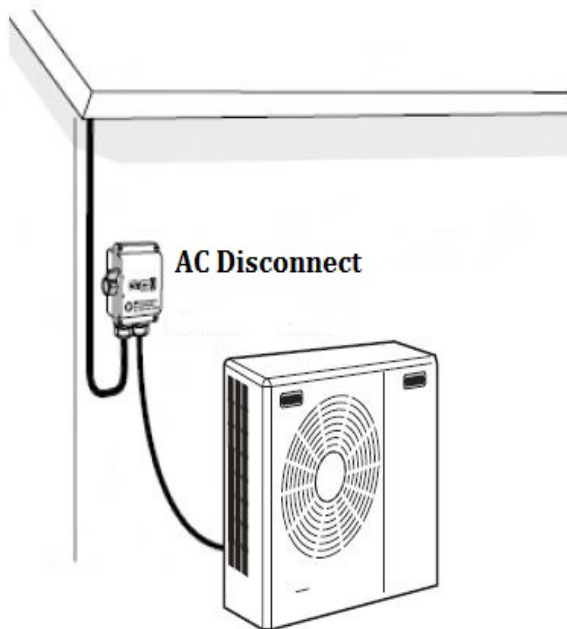
Electrical Connection

General

Note!

Electrical installation and service must be carried out under the supervision of a qualified electrician. Electrical installation and wiring must be carried out in accordance with the NEC.

The heat pump must be connected under the supervision of a qualified electrician. Wires, spare parts and materials etc. must satisfy the relevant standards and codes issued by the host country or region. The heat pump does not include an AC disconnect or switch on the incoming electrical supply which will be required. The power supply cable must be connected to a circuit-breaker with at least a 3 mm breaking gap. Incoming supply must comply with the technical requirements, with a frame ground wire (neutral is not used), via a distribution box with breakers. **Allowed Voltage range is 208-240vac. Minimum wire size must be suitable to your code and to meet NEC requirements, breaker size is 30 AMP. It is advisable to add surge suppression with transient voltage protection to the circuit powering the chiller.**

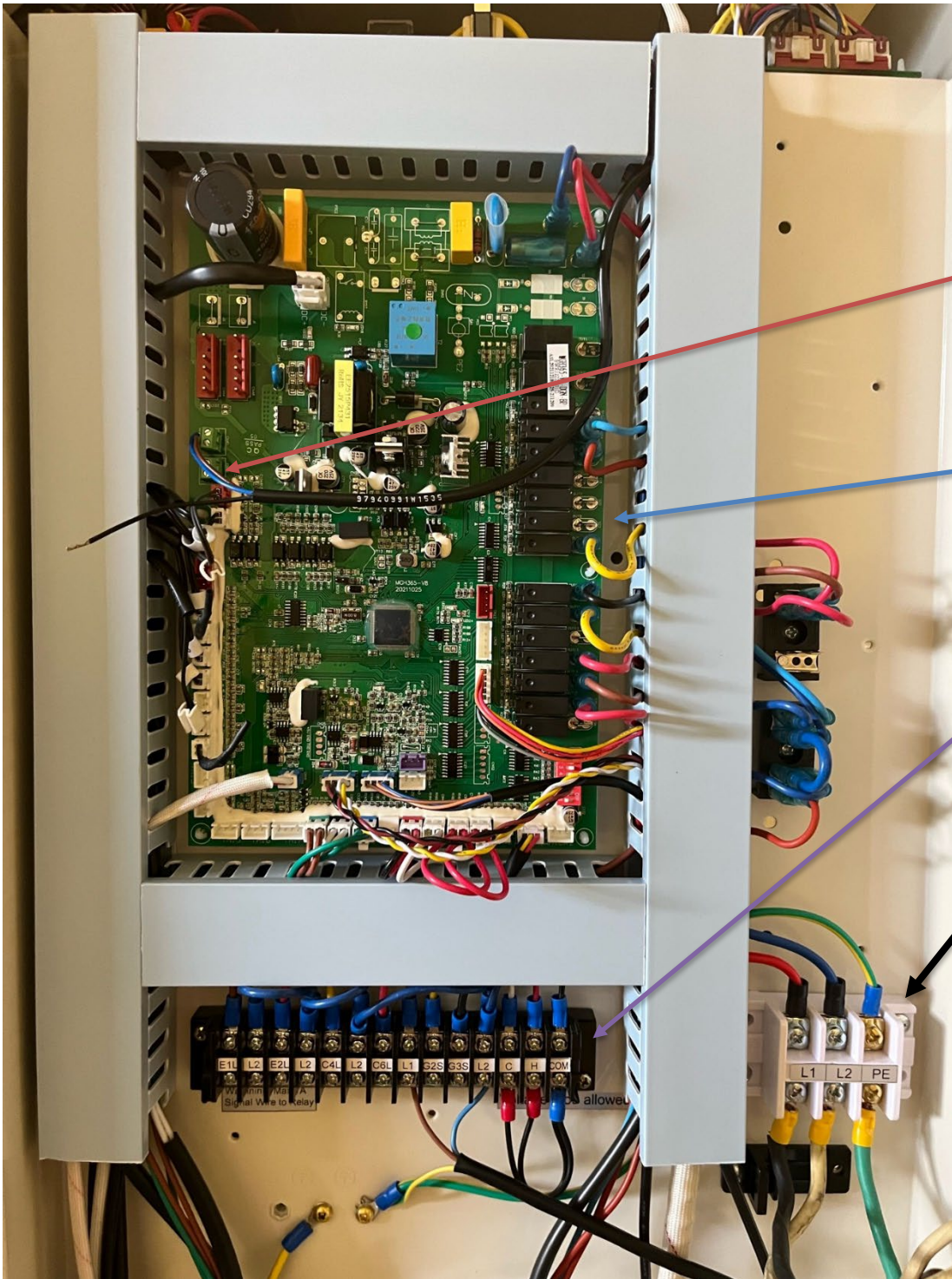


Main terminal block inside electronics box

Example MOV transient voltage suppressor

<https://www.mouser.com/?Keyword=V300LA40AP>

Electric Connections and Component Locator



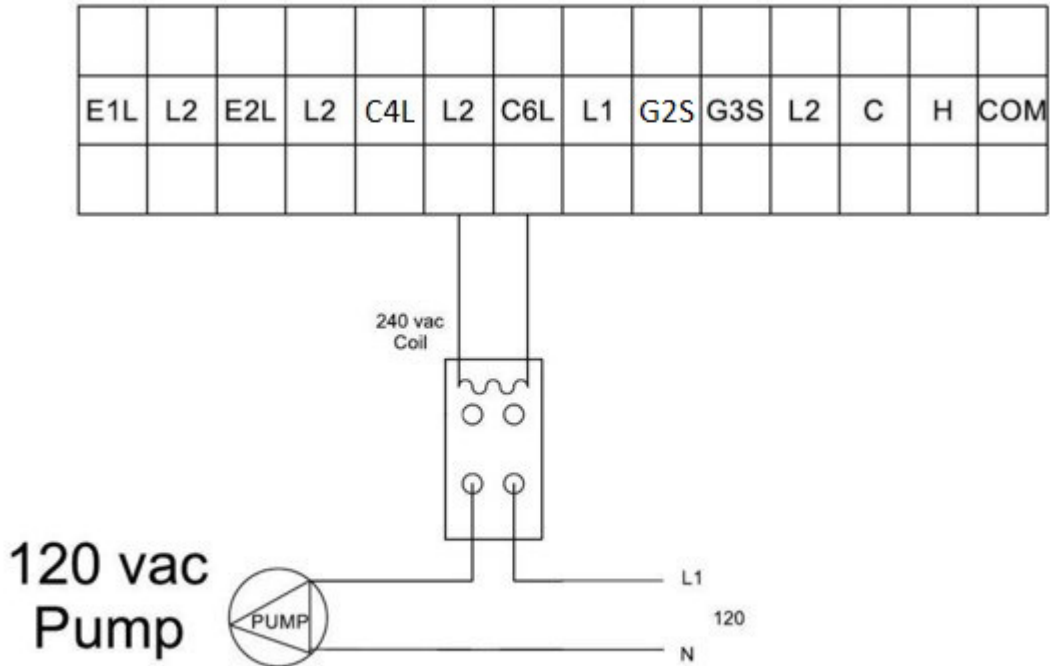
PWM
V18 Control

Outputs

Main terminal strip

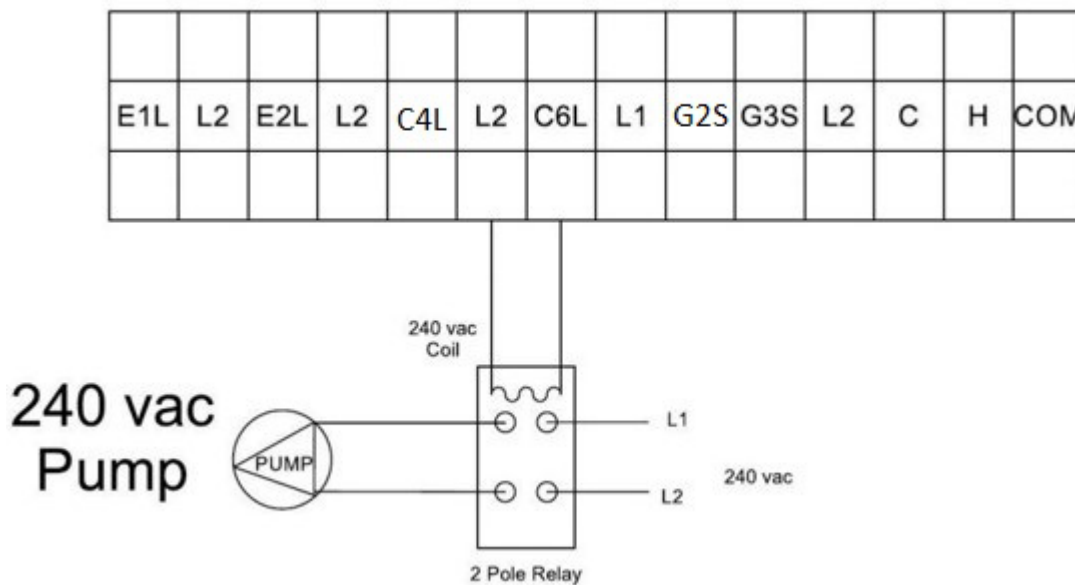
Main power in

When using a second NON-PWM water pump



Connect the fixed speed pump to L2 and C6L.

When using a second NON-PWM water pump, use terminals L2 and C6L for relay coil power only. Do not connect a pump directly to L2 and C6L, always use a relay with a 240 vac coil. This pump will only run when the PWM pump is running. Setting P26=1, and P67=1, will shut C6 off when the chiller reaches its set point.



DHW (Domestic Hot Water)

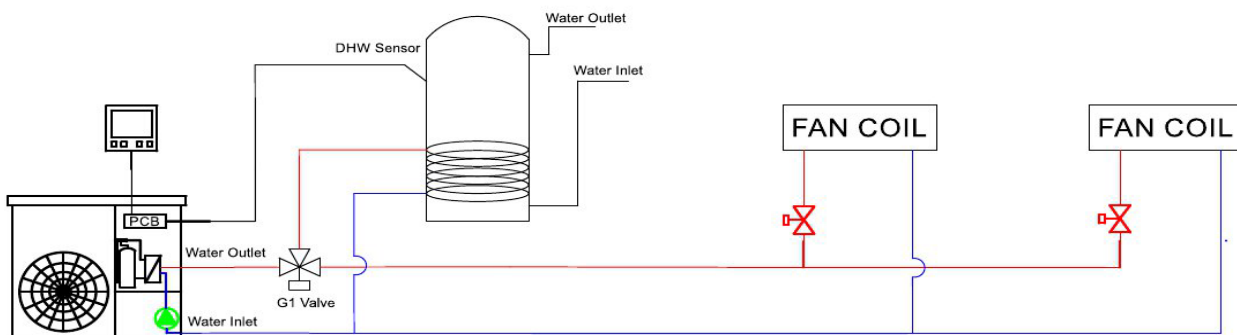
G1 Valve

G1: DHW/AC / Heating 3-Way Valve

In DHW mode, the G1 valve is powered off. In AC/heating normal mode, G1 is powered on. Parameter P56 must be "1" to enable DHW.

G1 and G3 valves use 220v Primary from the CX50. Use conduit and install per local code.

If you use a DHW tank not provided by Chiltrix, make sure it has coil surface area of at least .35 ft² per gallon and can accept a backup element.



DHW target setting temperature is the tank water temperature measured with the DHW sensor, not the CX50 inlet water temperature. If the target temperature is 120°F, and the differential is 2°C, it means, when the DHW tank reaches 120°F, the compressor will stop or shift back to its normal function, space heating or cooling. When the DHW tank temperature is lower than 116°F, DHW will start. [See the Chiltrix Tank Manual before proceeding to install or connecting any DHW or buffer tank.](#)

See the Chiltrix Tank Manual for important details and options for using CX50 with DHW, including backup heat options, and anti-legionella function. **READ THE CHILTRIX TANK MANUAL BEFORE DESIGNING, CONNECTING, CONFIGURING, OR USING DHW.**

The indoor ambient air temp is not used at this time, however, **do not disconnect this sensor. Leave all unused sensors plugged in and wrapped in the bundle above the compressor.**

IMPORTANT

Check all tank ports including under any element covers to make sure any unused ports are plugged. Pre-plugged ports may be only finger-tight. Check ALL ports and plugs for water tight fit.

Note; There is a clear plastic bag taped to the CX50. It contains the mounting feet, DHW sensor, and controller cable. Controller is inside.

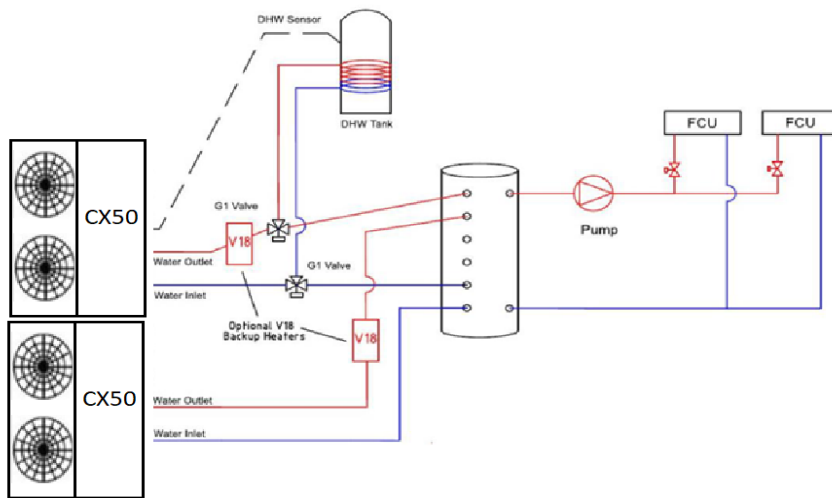


DHW (Domestic Hot Water) G1 Valve

DHW and AC / Heating with two chillers in Parallel

G1 and G3 valves use 220v Primary from the CX50. Use conduit and install per local code. Below shows 2x G1 valves, used this way so that Chiller 2 can continue to provide cooling or heating while Chiller 1 deals with any DHW load. Bottom drawing shows 1x CX50 properly used with only one G1 valve.

The G1 valve should be installed as close to the CX50 as practical. The DHW tank should be installed as close to the G1 valve as practical. Shorter distances will improve performance and reduce the likelihood of needing a booster pump. The CX50 should

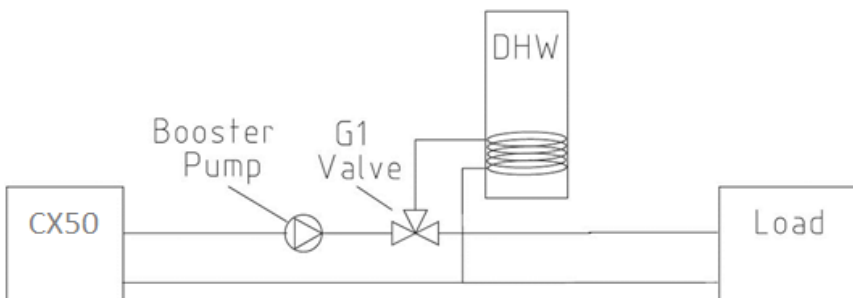


IMPORTANT

Check all tank ports including under any element covers to make sure any unused ports are plugged. Pre-plugged ports may be only finger-tight. Check ALL ports and plugs for water tight fit.

If one or more V18b units are used they must be in front of the G1 Valve (upstream from G1) See V18b manual.

NOTE:
If you use a DHW tank not provided by Chiltrix, make sure it has coil surface area of at least .35 ft² per gallon and can accept a backup element.

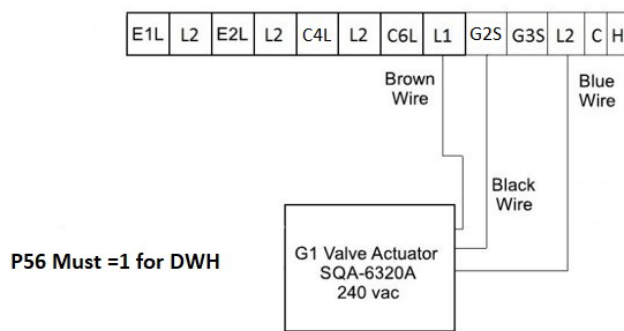


G valves Continued

A booster pump may be installed in front of the G1 valve when installing the DHW option if the head, including pressure drop of the DHW tank coil, exceeds the head allowed by the pump curve when calculated at 7GPM. If a booster pump is needed for a different reason, this location should also be used. Check the DHW tank pressure drop from the Chiltrix Tank Manual or tank provider coil specs if not using a Chiltrix tank. The G1 valve should be located as close to the CX50 as practical.

G1 Valve Wiring **Note; The G1 control wire is connected to G2 on the terminal strip of the CX50**

G1 and G3 valves use 220v Primary from the CX50. Use conduit and install per local code.



If one or more V18b units are used they must be in front of the G1 Valve (upstream from G1) See V18b manual.

G1 Valve (240vac)
DHW & AC/Heating

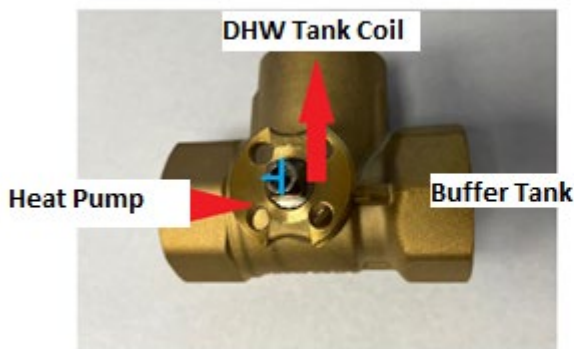


Figure 1
DHW MODE

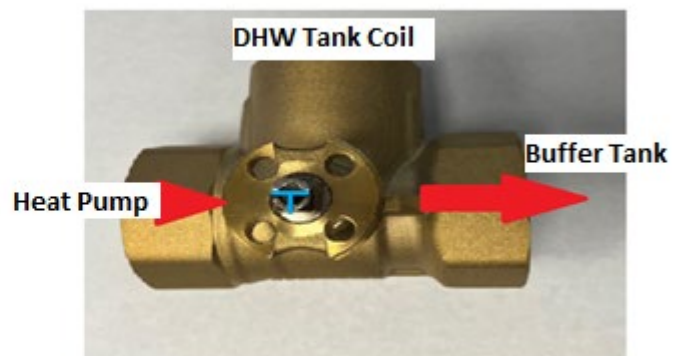
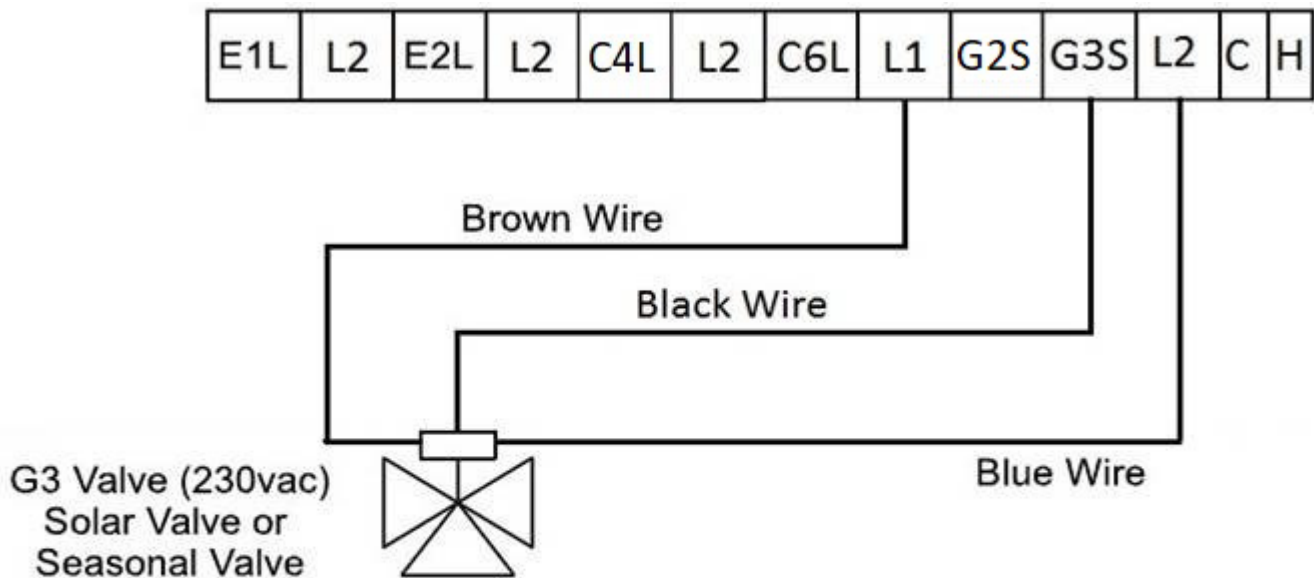


Figure 2
Heating and cooling mode

Figure 1, this is the direction of flow when it is activated for DHW. Figure 2, this is the direction of flow when it is activated for Heating or Cooling. When the brown wire is connected to L1, the blue wire connected to L2, and the black control wire is connected to G2S the valve is controlled by voltage at L2 and G2S. Voltage at G2S activates the valve for DHW. No voltage at G2S activates the valve for Heating/Cooling. See wiring diagram above. **In order to position the dhw actuator in the correct position. You will need to turn the dhw valve to match figure 2. Connect the wires as show above and place the actuator to the side next to the dhw valve. With dhw mode off IE: the unit is in heating or cooling only. Turn the cx50-1 on and let the unit run for a few seconds, the actuator may or may not move depending on how it was built at the factor and what origin point the stem is in, after about 2 mins of the unit running you may place the actuator on to the dhw valve and tighten down to its final position. Verify that the dhw and heating/cooling is working.**

G3 Valve: Seasonal Switch Valve

G1 and G3 valves use 220v Primary from the CX50. Use conduit and install per local code.



When Parameter P14 is 0, G3 is Configured as a Seasonal Switch

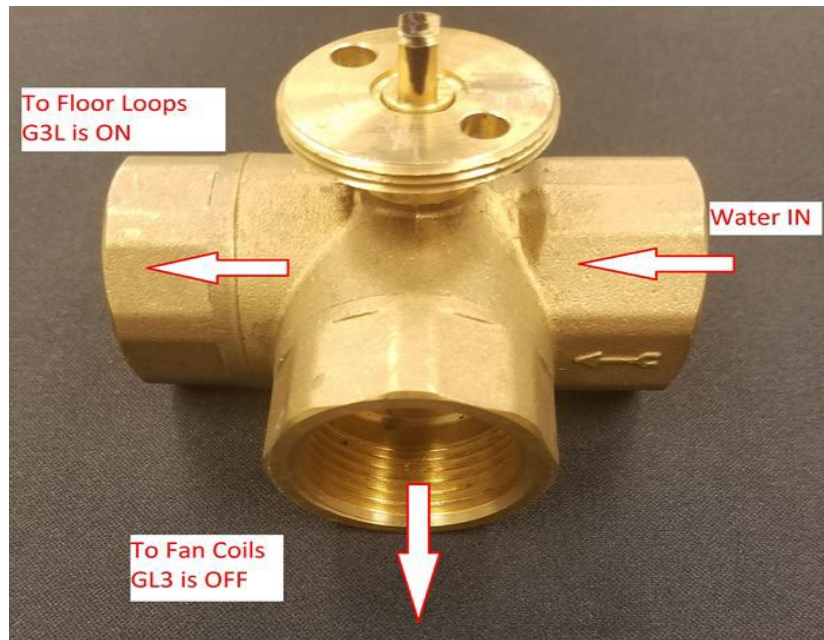
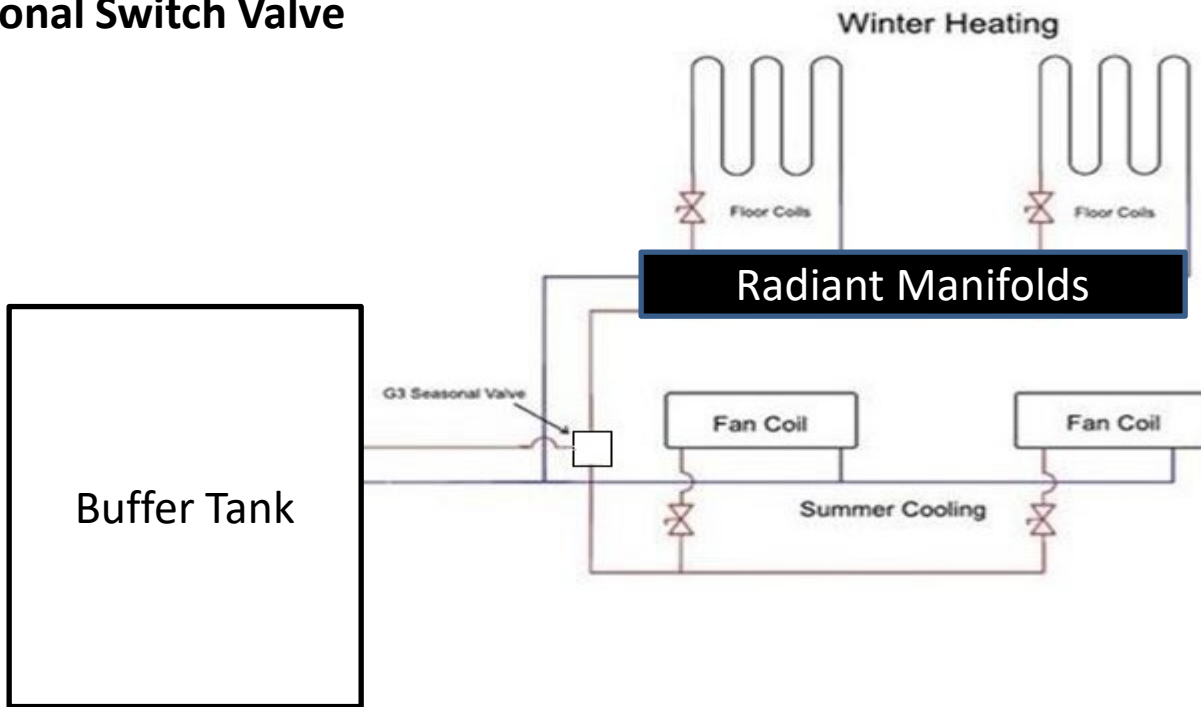
When Parameter P14 is 1, G3 is Configured as a SolarPre heat Valve

The G3 port can be used to control a seasonal switch valve. The seasonal switch valve is used to isolate the floor coils from the fan coils when switching over from heating to cooling. The seasonal switch valve is controlled by parameter P14. When parameter P14 is 0, the valve is configured as a seasonal Switch.

If you are not using either seasonal switch or solar pre-heat, make sure P14 is set as 0.

When parameter P14 is 1, the valve is configured as a solar pre-heat valve. The CX50 compares the solar tank temp and AC returned temp. When the solar tank temp – AC returned temp is ≥ 5 °C, the 3-way valve G3S will be on; when solar water tank temperature minus the air conditioning returned temperature is less than 2°C, G3S will be off.

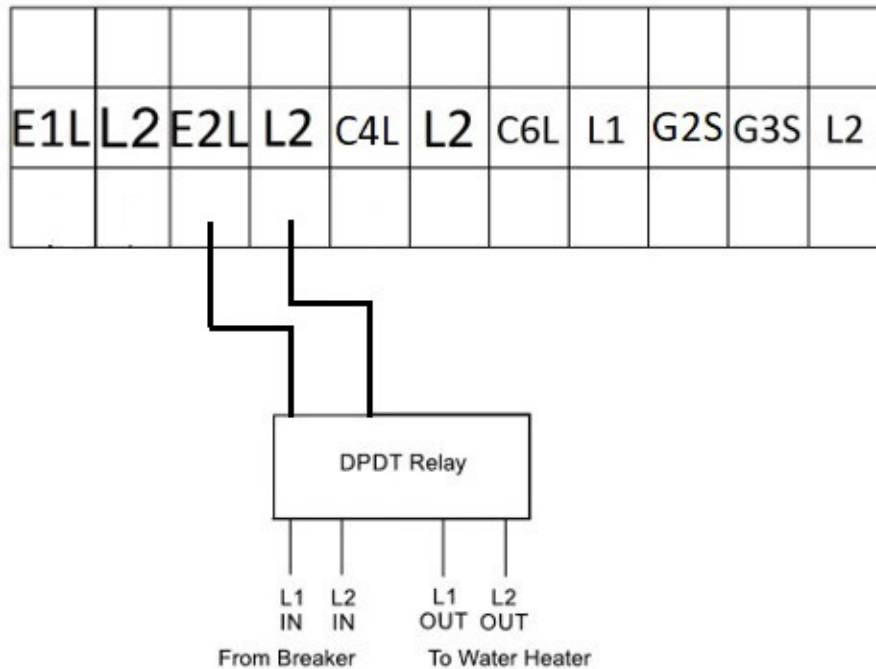
G3 VALVE Seasonal Switch Valve



G3 Ports

Use of G3 is not typical and rarely recommended, contact us with any questions

Second Heat Source



- This is used by customers that don't use V18 for backup heating. IT REQUIRES A STANDARD ELEMENT AND THERMOSTAT TO BE INSTALLED ON THE INLINE TANK USED FOR BACKUP HEATING. **DO NOT USE A BUFFER TANK FOR BACKUP HEATING. SEE CHILTRIX TANK MANUAL.** This would typically be a small inline tank located on the supply side of the loop, between the CX50 outlet and the first of any load inlets. The thermostat/element must be set to max 120F and any such tank used for this purpose must have code-compliant pressure relief valve installed and properly vented via copper pipe to a drain.
- NOTE- in the application the E2 only allows/denies power to the standard tank thermostat control. The tank thermostat controls the element.
- **NOTE* THE PREFERRED WAY TO ADD BACKUP HEAT IS TO USE THE CHILTRIX V18 DYNAMIC VARIABLE BACKUP HEATER.** "SECOND HEAT SOURCE" IS AN OLDER AND MORE COMMON METHOD, BUT IS NOT AS EFFICIENT AS A V18.
- P10 is E2 activation air temperature. Outdoor air temp must less than P10 for E2 to be activated.
- P10 default is 0°C (P10 range is -20~20°C)
- P27 must be set to 0 for E2 to be enabled
- P84= the E2 start delay time. If compressor cannot meet target for X minutes (P84 minutes) then E2 will start

THE ABOVE RELAY COULD ALSO BE USED TO ACTIVE A GAS OR OIL BOILER AND ALLOW IT TO BEGIN OPERATION IN THE SAME MANNER AS THE ELECTRICAL HEATER ELEMENT DESCRIBED ABOVE

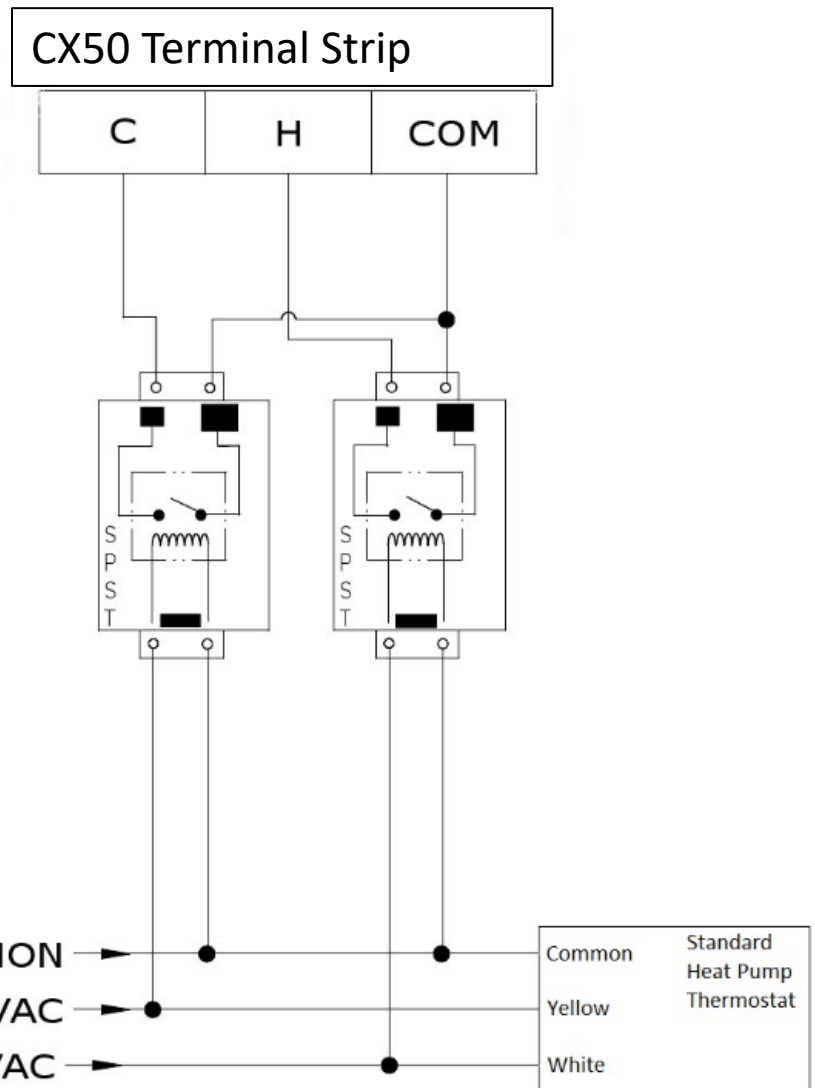
Onboard External Relay/T-Stat Control

The internal T-Stat allows a heat pump thermostat or other external controller to control switching the heating, cooling and standby modes of the CX50 via relay. This method of control generally requires a single-stage standard heat pump thermostat, a installer provided 24 vac transformer and two relays, (Eg. Tyco K10P-11A15-24, w/ two relay sockets, 27E487). The relays can be located in the chiller next to the IPM. The transformer can be located in the home near the standard thermostat or other controller.

NOTE: THIS SHOULD NEVER BE USED FOR A HEATING OR COOLING “CALL”. IT IS ONLY FOR MODE SELECTION. Heating or cooling calls are not needed or allowed with CX50, as it monitors the returning water temperature and always knows what it needs to do.

NOTE: Before removing any jumper or connecting any relays, make sure of the following:

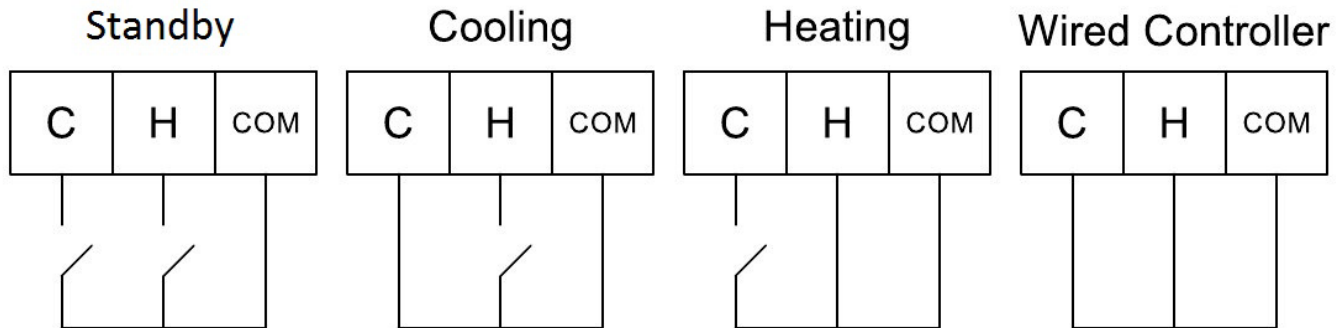
1. Enable/disable DHW, as applicable, at P56. Your selection will follow along with a change between heating and cooling. If DHW is active (Parameter P56=1) DHW will work even when external relay control has the system “off” (standby).
2. Use the controller Mode button to switch modes and set the target temperatures of each mode Heat, Cool and DHW, before proceeding.
3. Auto-switchover (based on outdoor temp) at P103/P104 cannot be used when using this feature.



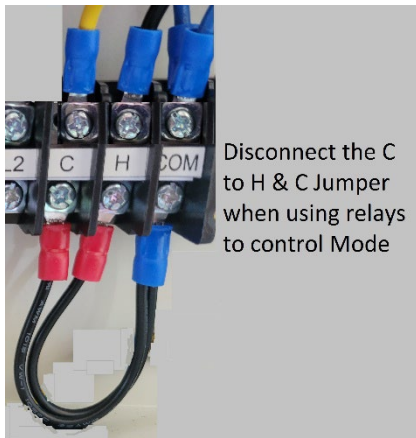
IMPORTANT

The C,H, Com terminals are DRY CONTACTS. Do NOT apply Voltage to the contacts. Only connect relays as explained.

Onboard External relay Control – Cont’d



Once the relays are wired as shown, the CX50 DIN setting must be changed



IMPORTANT
 The C,H, Com terminals are DRY CONTACTS. Do NOT apply Voltage to the contacts. Only connect relays as explained.

NOTE: RELAY CONTROL SHOULD NEVER BE USED FOR A HEATING OR COOLING “CALL”. IT IS ONLY FOR MODE SELECTION. Heating or cooling calls are not needed or allowed with CX50, as it monitors the returning water temperature and always knows what it needs to do.

The switch status can be displayed in the C parameters

C7 is DIN6 AC heating switch mode status; 0=OPEN; 1=CLOSE

C8 is DIN5 AC cooling switch mode status; 0=OPEN; 1=CLOSE

NOTE: Using this relay control option will override inputs from the Chiltrix standard wired controller. See the Psychrologix manual for important additional information if this applies to you.

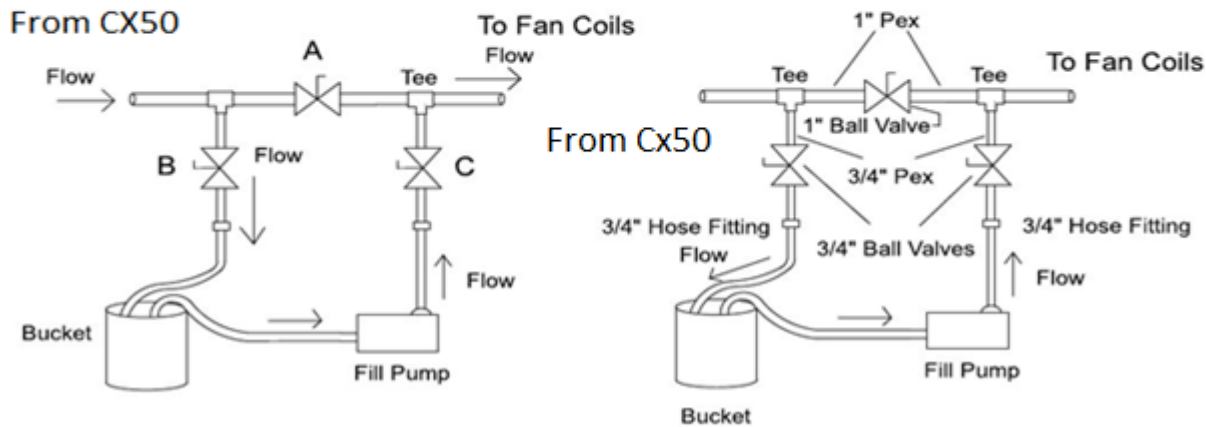
Timers as explained elsewhere in this manual will NOT be available when relay control is used.

System filling with Propylene Glycol and water

At or near the CX50 a flush/fill valve assembly must be installed. This can be made with three ball valves and a couple hose fittings. See example below.

Bill Of Materials

- 2 ea. 1" x 3/4" tee
- 1 ea. 1" Ball Valve
- 2 ea. 3/4" Ball Valve
- 2 ea. 3/4" Hose Fittings
- 10' of Garden Hose
- 5 Gallon Bucket
- High Head Fill Pump

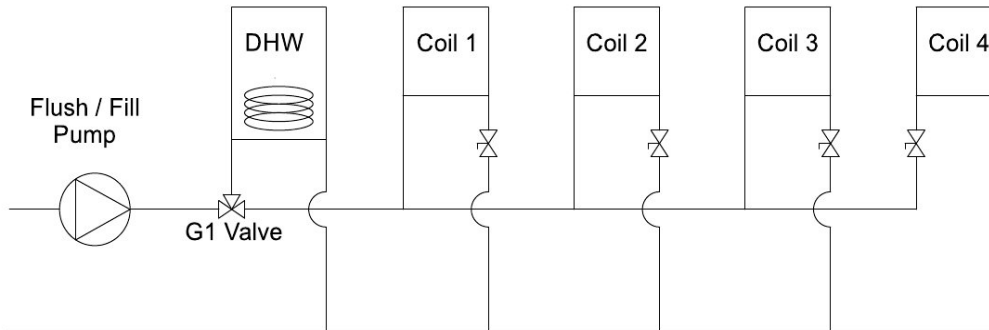


See: <https://www.chiltrix.com/documents/Charging-Fill-Kit.pdf>

Pre-mix the propylene glycol in a container large enough to hold the loop volume plus a few gallons. Using a filling pump and 3 hoses, place one hose in the glycol container and connect it to the suction side of the pump. Connect the second hose to the pump discharge and the other end to valve "C" that is closest to the fan coils. Using a third hose, connect it to valve "B", closest to the chiller and leave the open end in the glycol bucket. Close the middle ball valve "A". Close the middle ball valve "A". The pump should be pumping away from the CX50 chiller. Open and close valve "A" a few times to remove trapped air. The pump should be pumping away from the CX50 chiller.

Run the pump until there are no more air bubbles coming out of the loop. After all air is expelled from the loop, close valve "B" and then open valve "A" with the pump running. When the pressure gage on the CX50 shows at least 30 psi close valve "C" and turn off the pump. Minimum loop pressure is 14.5 psi, maximum pressure is 43.5 psi, and ideal pressure is 20-30 psi.

Purging Air From DHW Tank & Fan Coils



If a DHW tank is installed, it should be the first device on the loop as shown. The G1 valves should always be as close to the CX50 as possible. The tank should be as close to the G1 valve as possible.

To purge the air from its coil, remove the actuator from the valve body and rotate the valve stub 90° clockwise to force the water through the coil. Return the valve stub back to its original position when all of the air is purged. Close the input valve to each fan coil except the first coil (1). Turn the pump on and run it, when the bubbles stop coming out of the discharge hose turn on the ball valve on coil (2), wait for the bubbles to stop, then do the same for coil number (3), then (4). All CX Chillers have a flow switch installed in the loop. Air in the system may cause a flow switch alarm; the controller will display a P05 error code.

All CXI fan coils have an air purge screw near the water inlet port, always purge the fan coils before starting the chiller. The CX50 chiller also has a bleeder valve with a ¼" clear tube attached to it located near the brazed plate heat exchanger.

Fan Coil Flow Balancing (Performed at time of commissioning)

Proper and even flow through each fan coil is important for both heating and cooling. (Coil temperature can be displayed by pressing the up and down temperature arrow keys at the same time), This can be done with balancing valves or ball valves installed at each fan coil supply or return pipe. This must be done with the CX50 in heating mode, set loop AC target to the maximum temp setting for commissioning.

DO NOT DO THIS IN COOLING MODE OR DAMAGE MAY OCCUR.

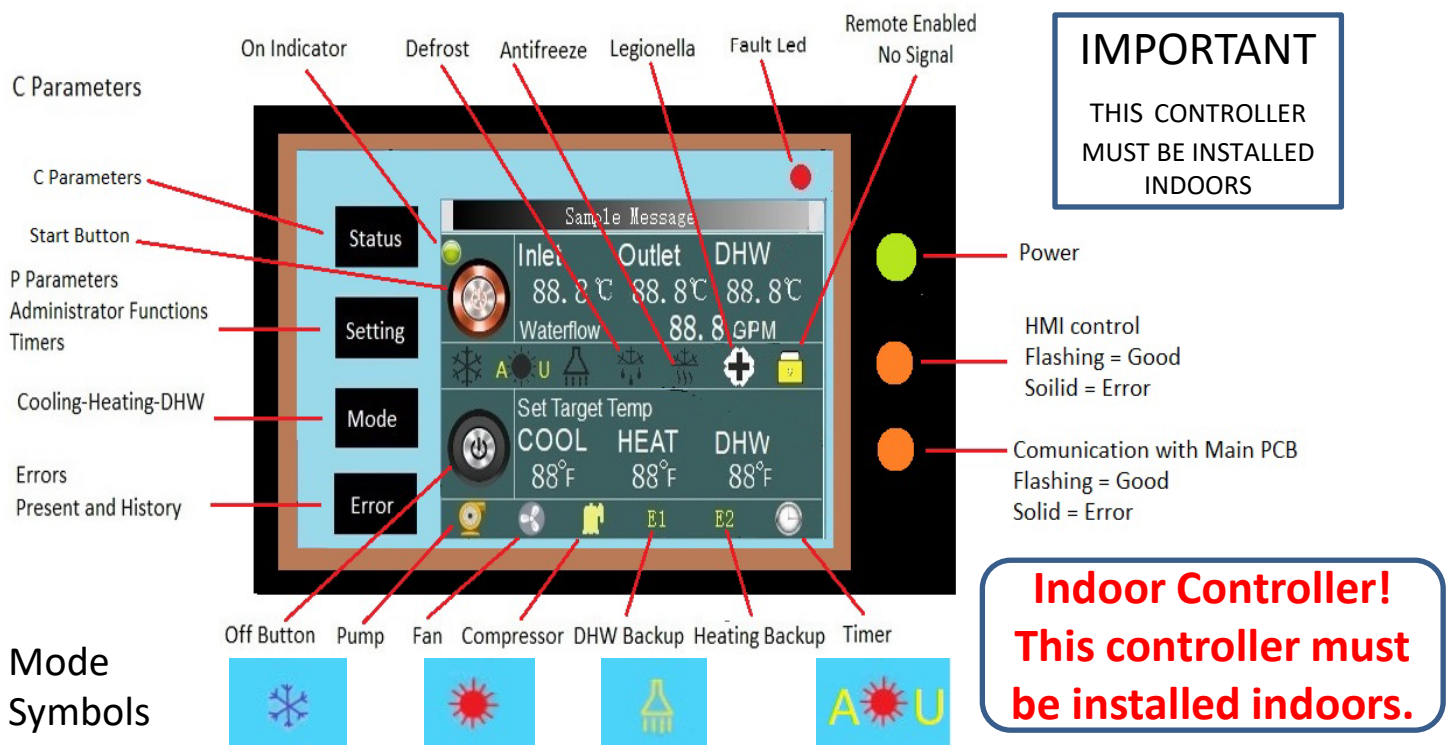
Adjust valve positions until each fan coil has the same leaving fluid temperature, with all CXIs set to max manual fan speed and in heating mode. When all leaving fluid temps are the same, the units are properly balanced. If a fan coil is powered on but the fan isn't running, there is a good possibility that there is air trapped in that particular part of the loop. Also verify the parameters with the CXI FCU manual, page 34. <http://www.chiltrix.com/documents/Chiltrix-hydronic-FCU-ver-1.5.pdf>

Note – while only one ball valve per CXI is needed for balancing, best-practice would be to use 2 valves, one on supply and one on return, so that the fan coil unit could be isolated if needed.

Standard Controller (Included with all CX50 Units)

Cooling, Heating, DHW, cooling + DHW, heating + DHW mode of operation options, automatic fault detection, alarm processing, and energy control.

1. The 4-conductor control cable can be extended up to 300 feet of 20 AWG or larger.
2. The controller handles all input and output signals, and system status.
3. Full-touch color LCD display. **MUST BE INSTALLED INDOORS.**
4. Modes, set points and other factory parameter settings are entered directly on the LCD screen. Note, for heating and cooling, the set target refers to the return water temperature, in steady-state operation, the leaving temperature will be changed by 8-10F. The normal cooling set target is 53F which implies a leaving steady-state temperature of ~44F. Heating, for radiant, is normally set for 86F (implies leaving at ~95F). Heating, for fan coils, is normally set at 96F (implies steady-state temp of ~105F). Chiltrix fan coils are designed for this temperature, other fan coil brands can be also sized for this temperature. The CX50 can achieve a leaving temp of 131F under most but not all conditions. The maximum suggested target set point is 111F (implies a ~120F leaving temp).
5. 100 fault records can be stored and retrieved to show the details of each fault that may occur.
6. All of the switch input / outputs can be directly observed on the LCD control panel making commissioning convenient.



- (1) **Taskbar:** shows the current running applications, and the time. Clicking on the different application boxes will switch to different applications.
- (2) **Main window:** Displays the main window of the application that is currently running.
- (3) **Application icon:** A desktop application that first highlights the icon when it is first clicked, and then clicked again to launch the application.

CX50 Desktop

Keys Operation

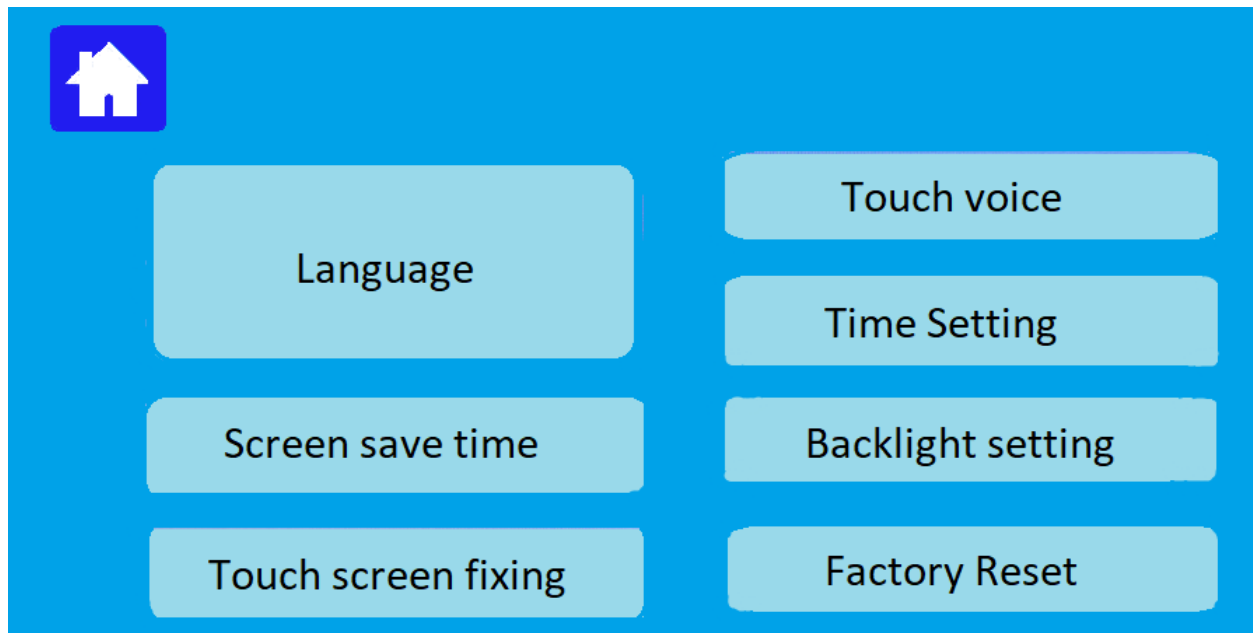
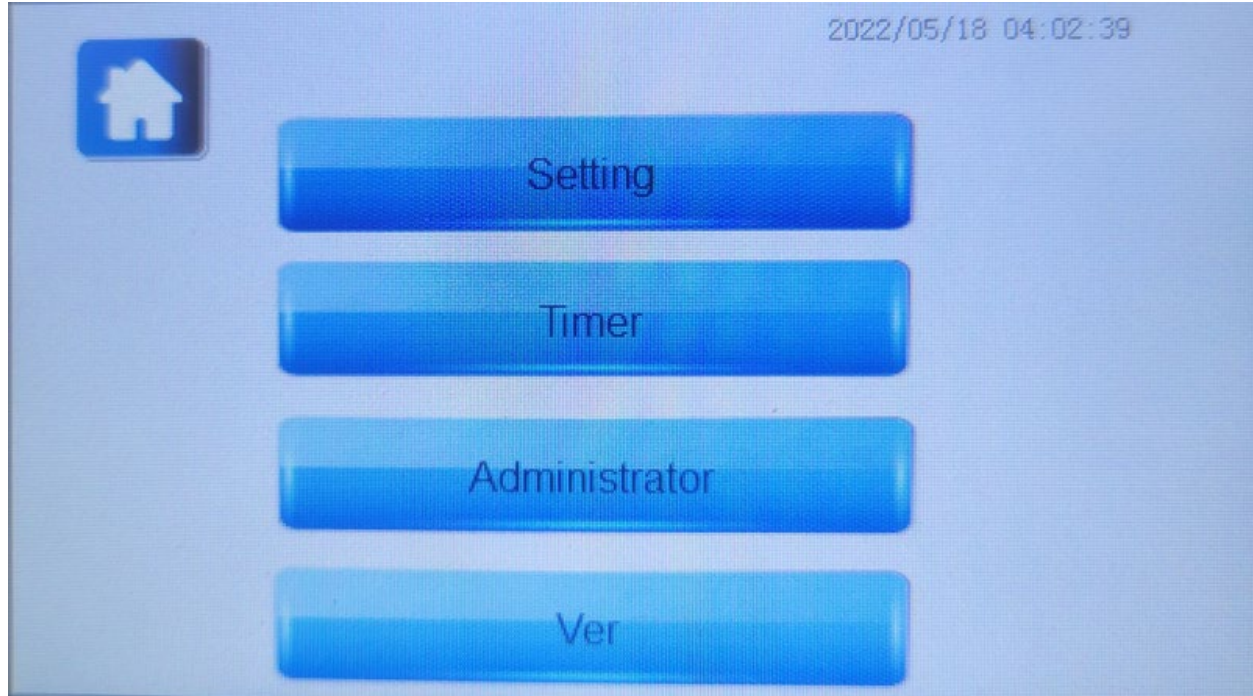
Status

Click "Status" at the home page to enter the "C" parameter checking page as shown below. Click the arrow ">" button to go to next page.

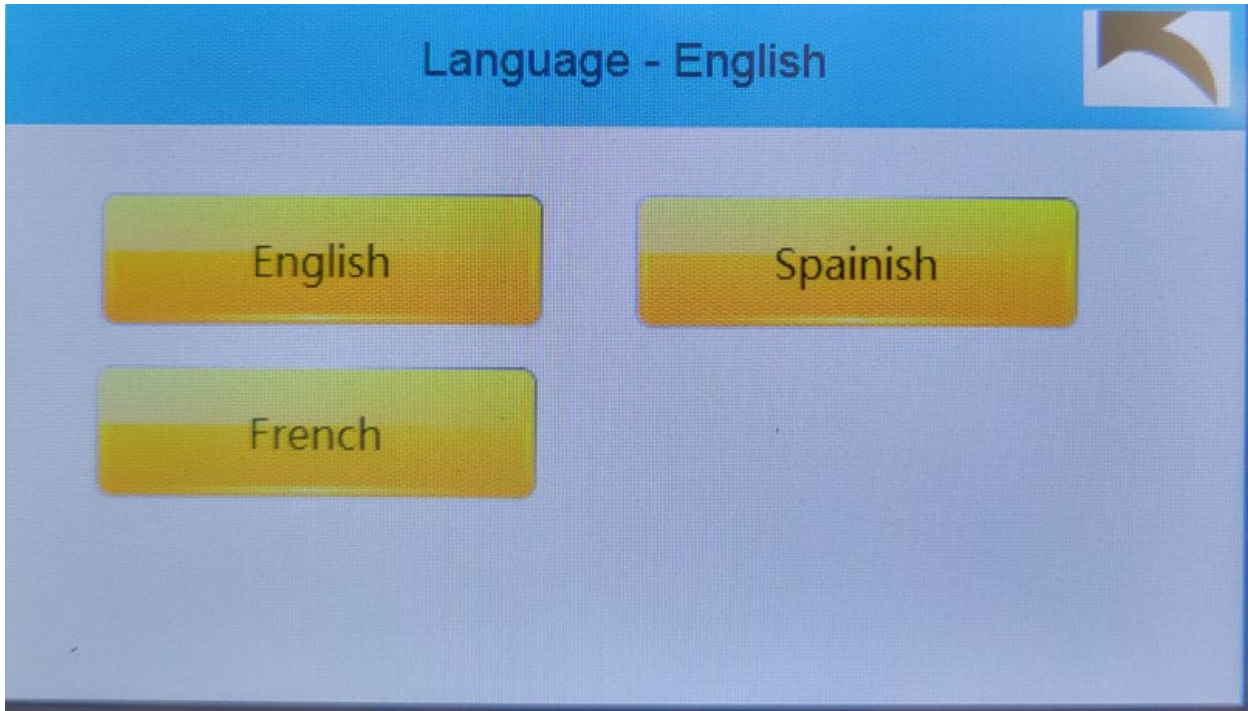
Item		YYYY/MM/DD HH:MM:SS	Value
C00 Coil temp			888.8 °C
C01 Compressor discharge temp(AIN1)			888.8 °C
C02 Ambient temp			888.8 °C
C03 HP AC outlet water temp			888.8 °C
C04 DHW tank temp			888.8 °C

 1/15 

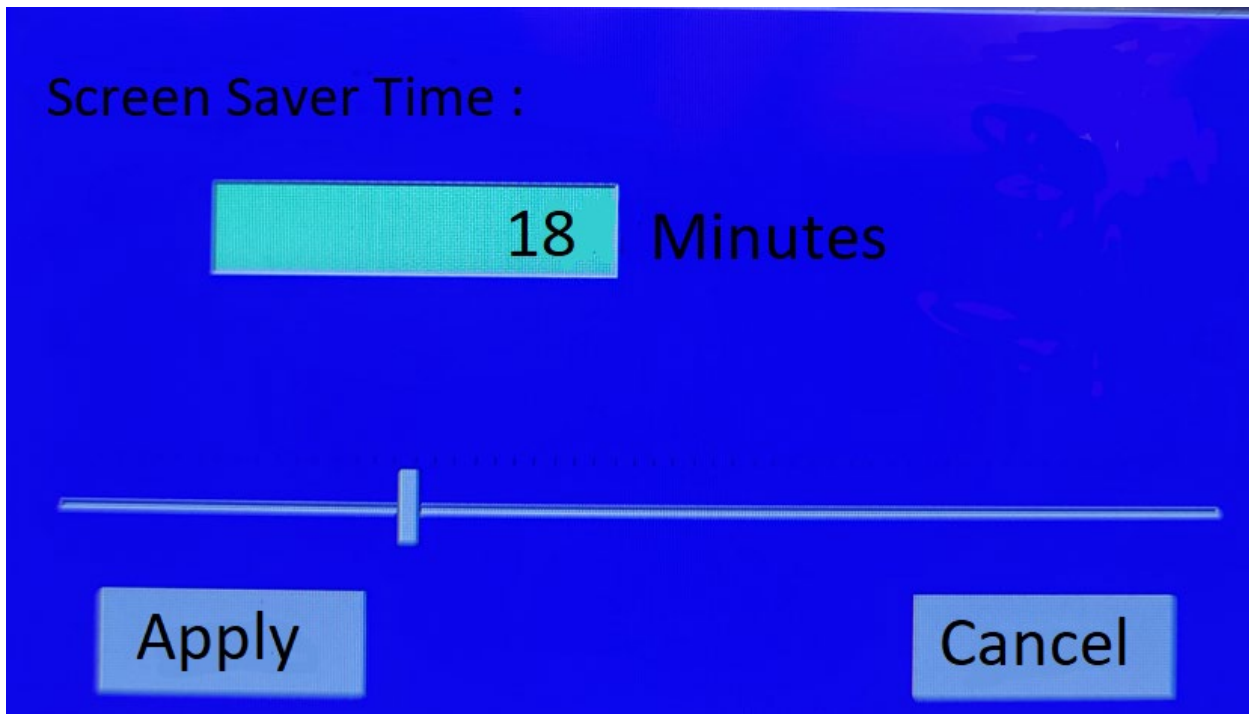
Click **“Setting”** button, and you will enter the system setting page. Then you select the language, set time and Administrator settings.



Settings Menu



Language Screen



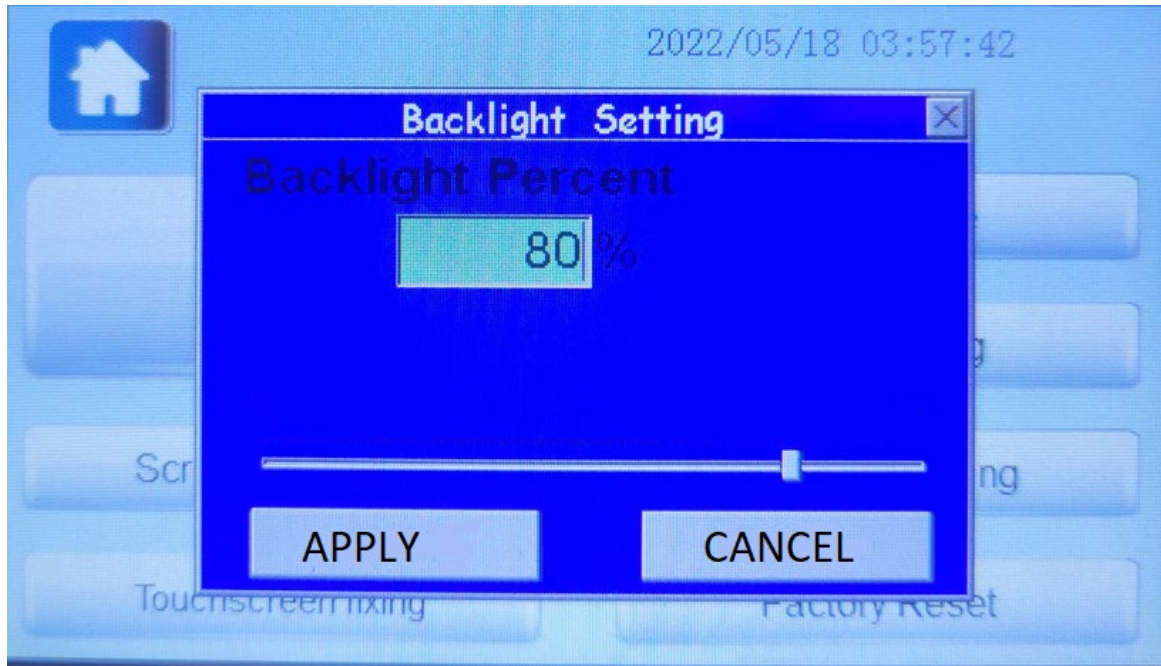
Screen Saver



Touch Screen Fixing (Calibration)



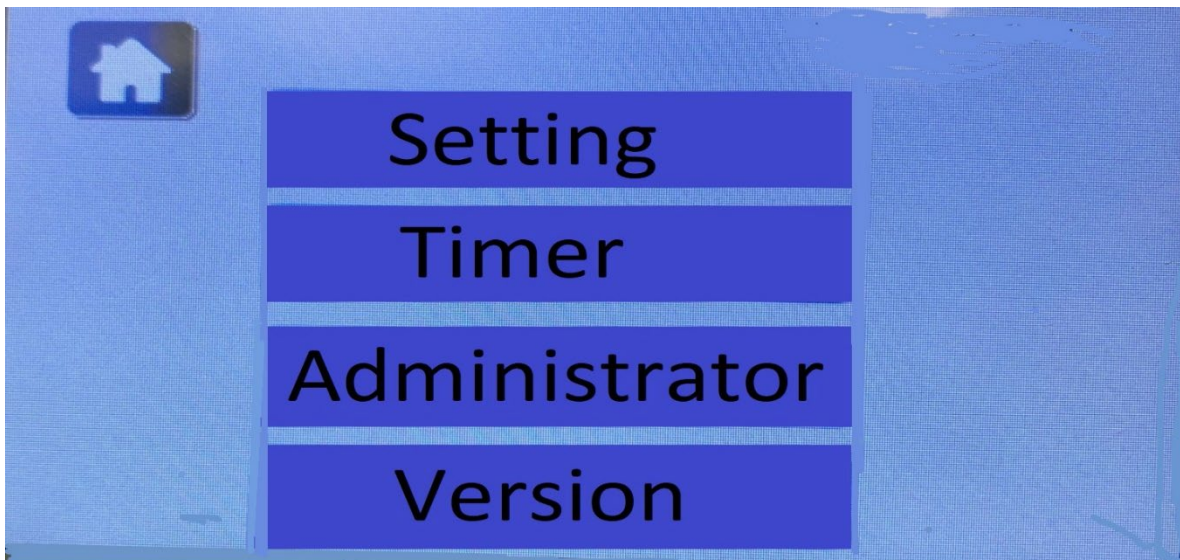
Time Setting



Back Light Setting

Timer Function

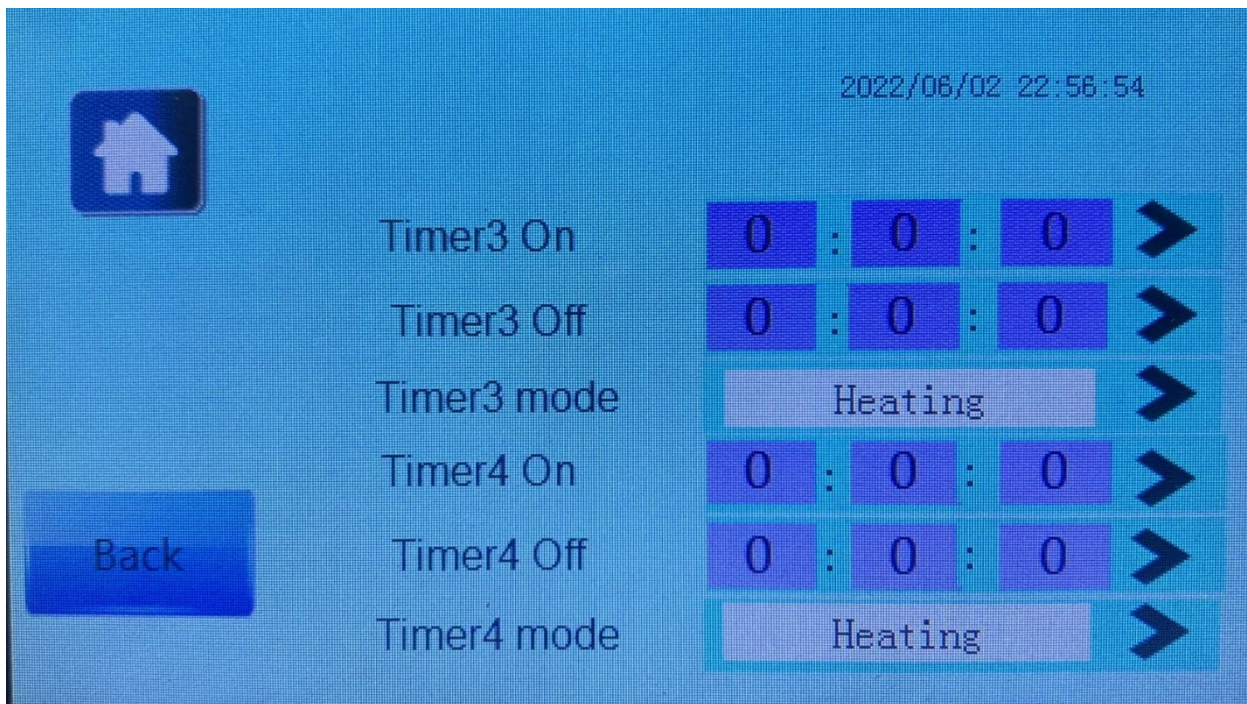
Click “**Timer**” button, you can set the heat pump to turn on and off times, you can select different working modes for different time periods. There are total 4 periods, (8 points), in the timer setting.



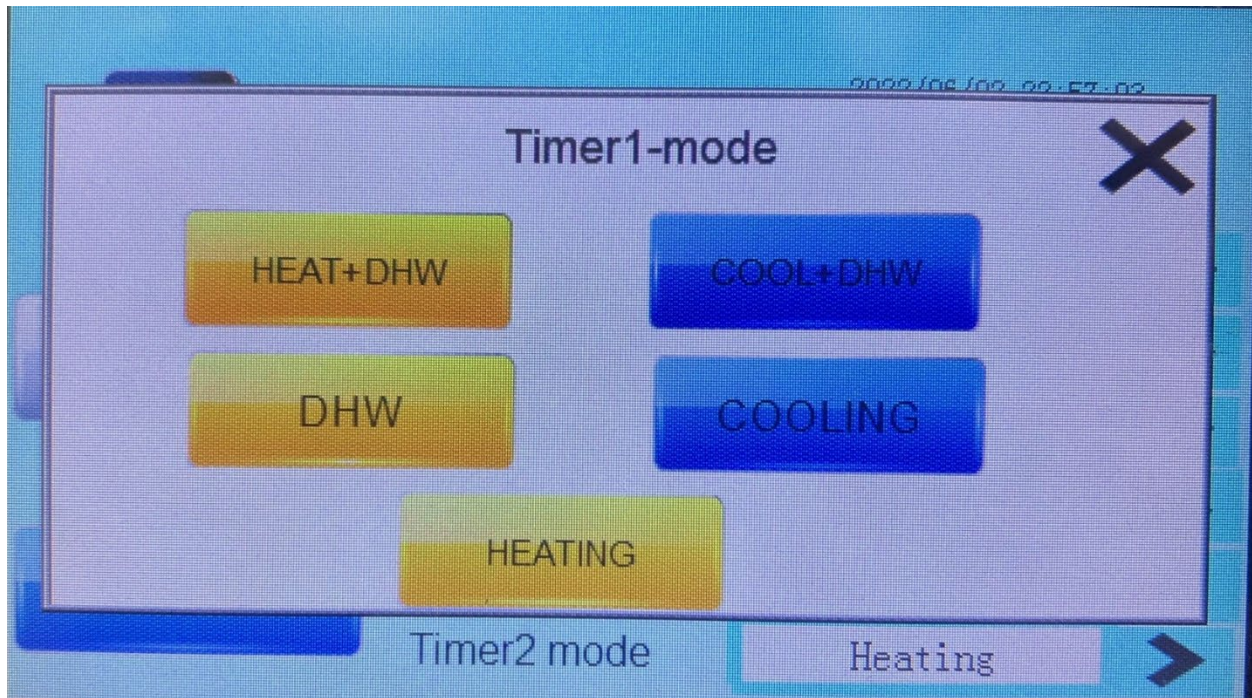
Press Timer to access the timer functions



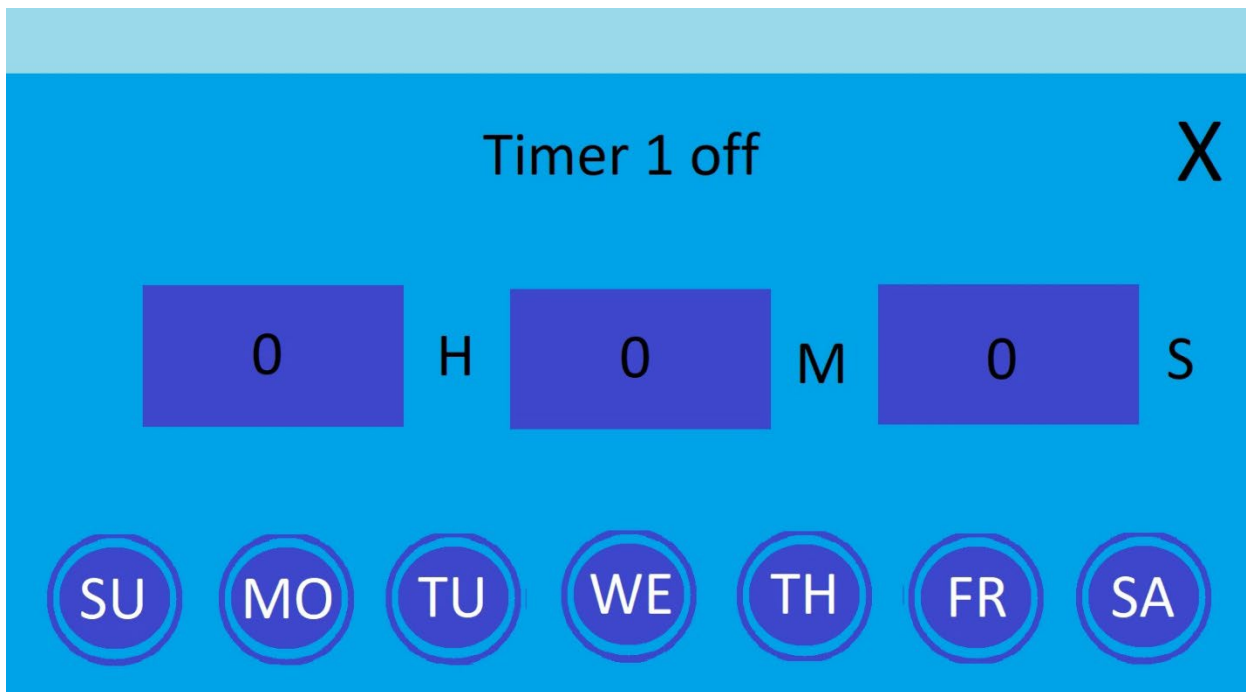
Timers 1 and 2 set to Heating Mode with no times set



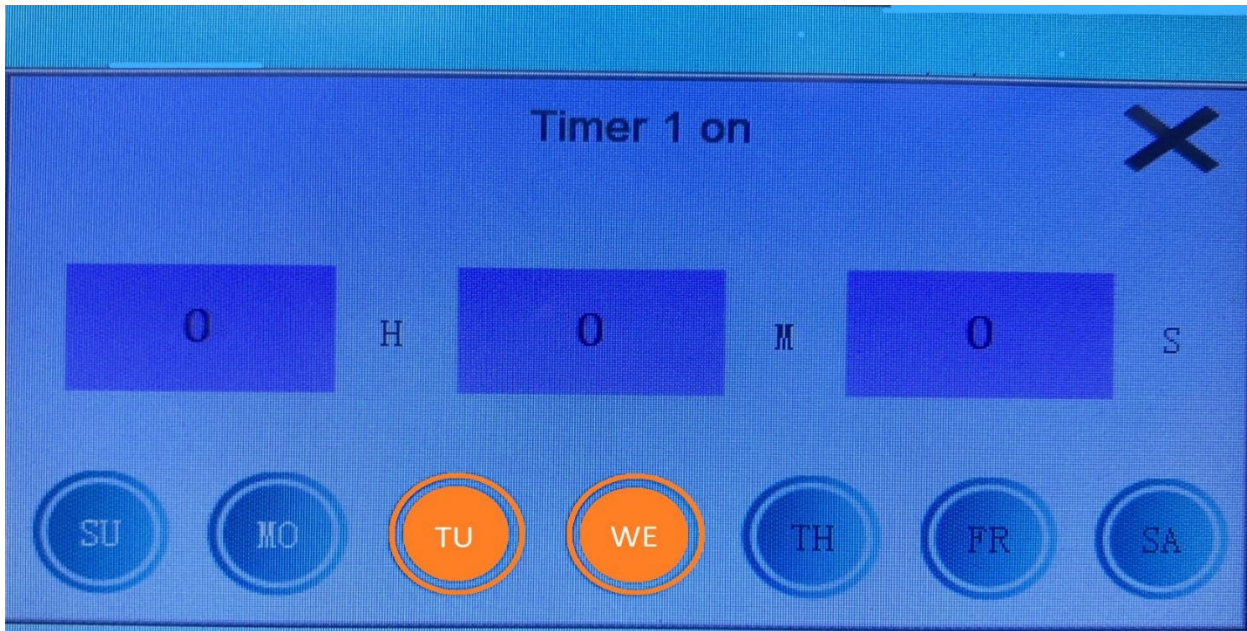
Timers 3 and 4 set to Heating mode with no times set



Setting the mode for timer 1, same menu for timers 1-4



Timer 1 turned off, timers 1-4 use the same menu



Timer 1 Start time and Days of the week selected (TU and WE), timers 1-4 use the same menu

Administrator Functions

Click **“Administrator”** button, you need to enter the password **“2222”** to enter the **“P”** parameters setting page as shown below. Refer to **“P”** parameter section for parameter list. Example below.

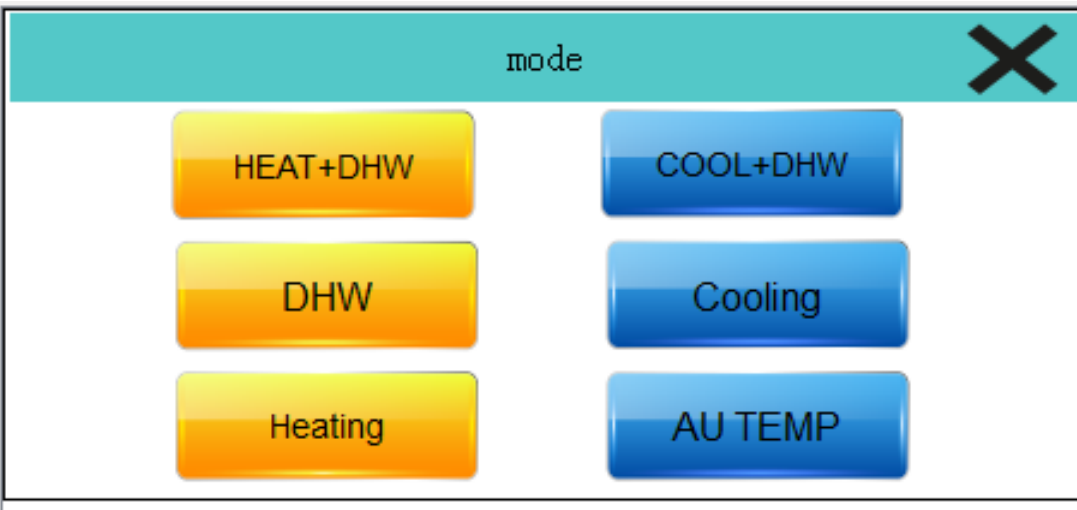
Item	Value
P00 Auto restart after power off	1. recovery
P01 DHW hot water temp hystersis temp	88 °C
P02 AC temp hystersis temp	88 °C
P03 Coil copper pipe temp to active defrost	888 °C
P04 Water source side anti freeze temp	888 °C

1/22

NOTE: Any changes to P59 or P61 require a 15-second reboot at the circuit breaker panel or Disconnect

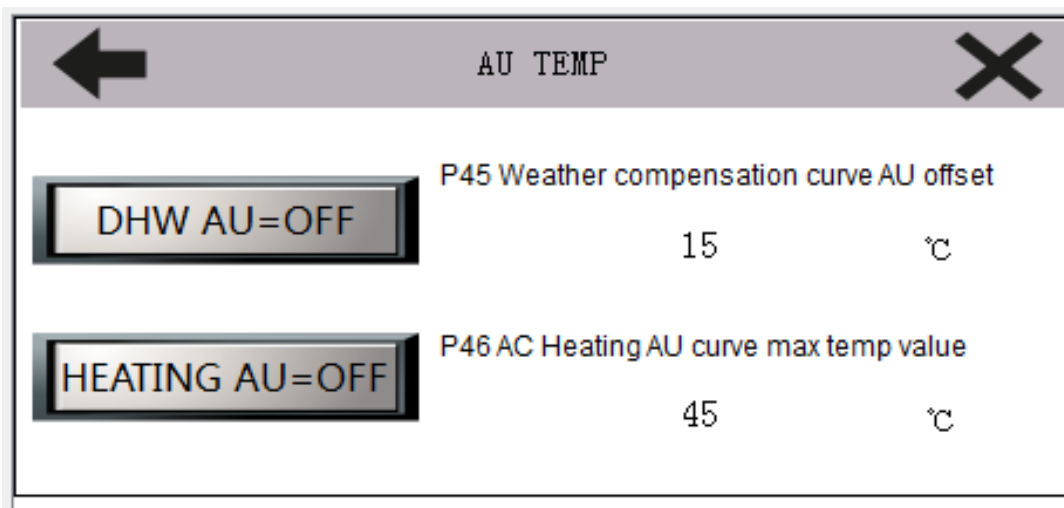
Mode

Click “Mode” at homepage, you will enter mode selection page. To select the desired mode, press the corresponding button.

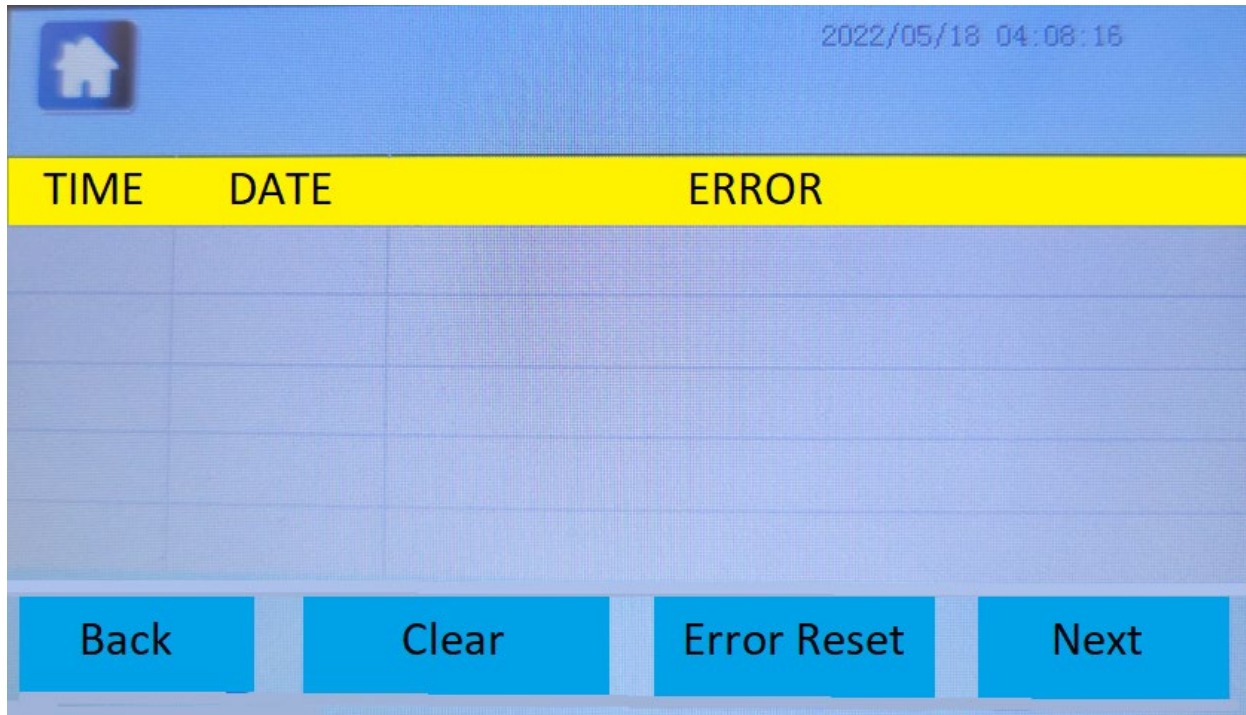


There are 5 standard modes available with DHW enabled, plus an AU Setting.

Auto Heating Target Curve Function



Error Log

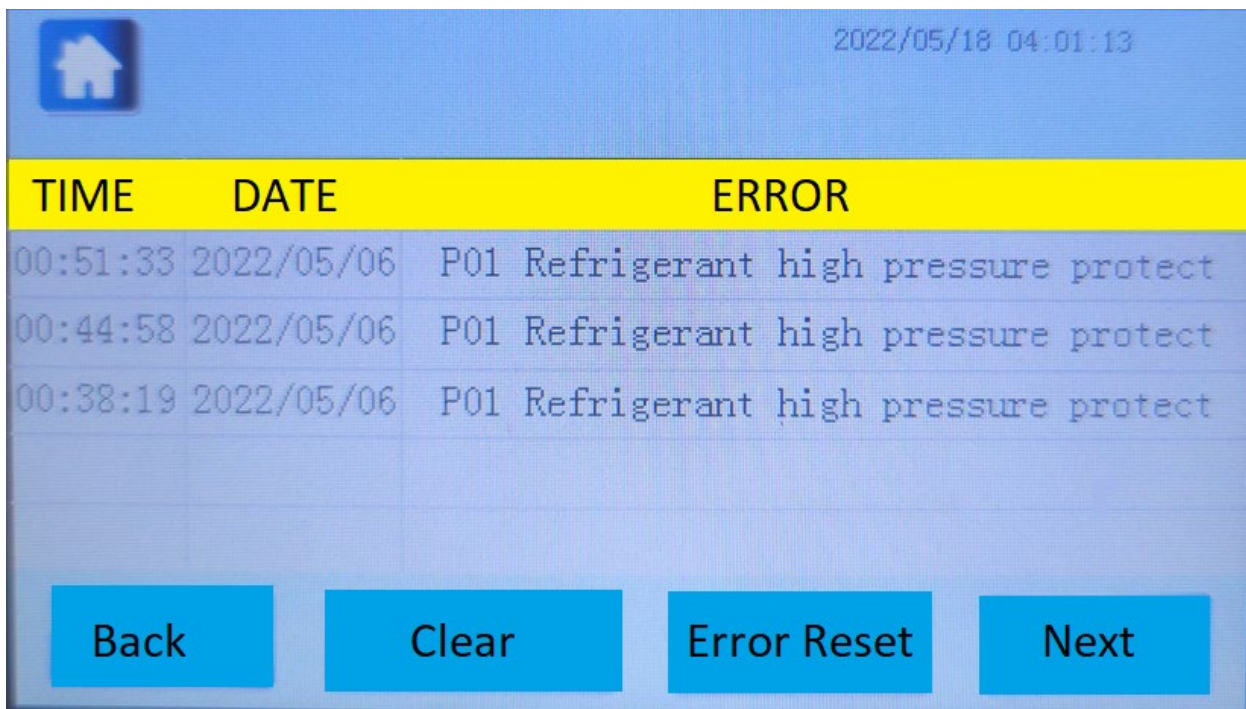


2022/05/18 04:08:16

TIME	DATE	ERROR

Back Clear Error Reset Next

Error Log above shown with no errors

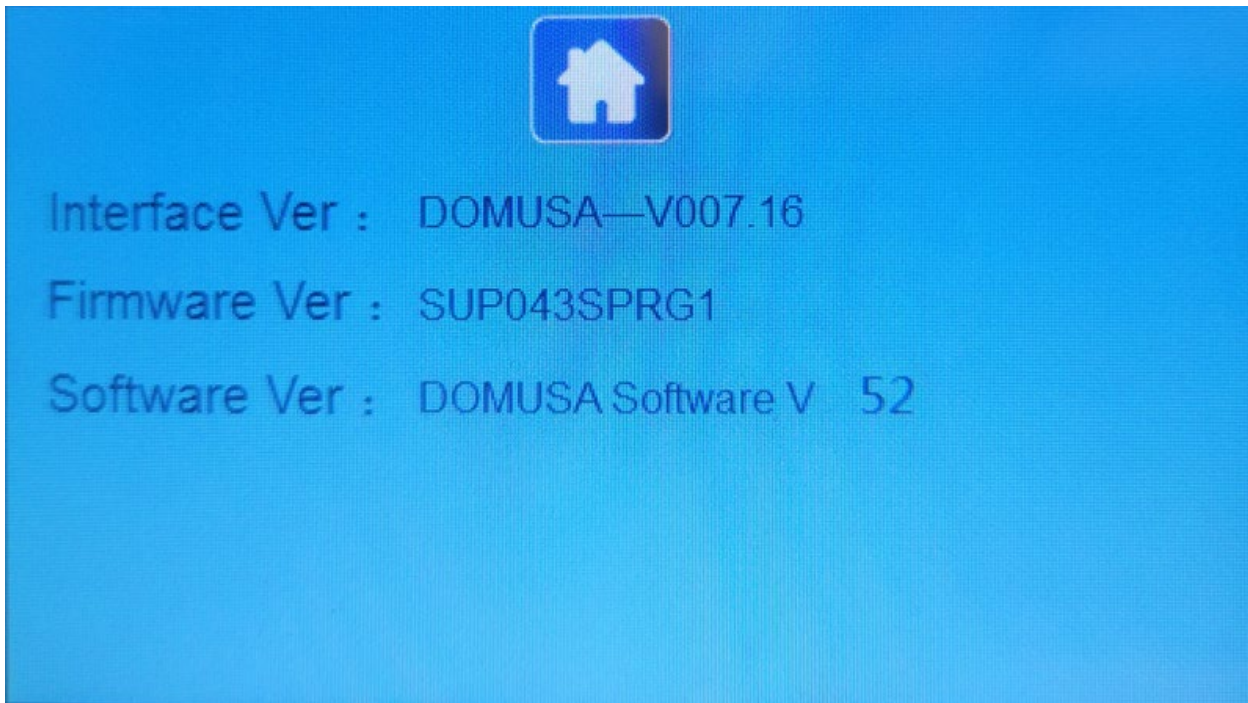


2022/05/18 04:01:13

TIME	DATE	ERROR
00:51:33	2022/05/06	P01 Refrigerant high pressure protect
00:44:58	2022/05/06	P01 Refrigerant high pressure protect
00:38:19	2022/05/06	P01 Refrigerant high pressure protect

Back Clear Error Reset Next

Error Log above shown with sample errors



Software Versions

The following pages contain the (LCD) C-Parameters, P-Parameters, and Error Codes.

To access the C-Parameters (read only), touch the “STATUS” button from the desktop.

To access the P-Parameters touch the “SETTINGS” button from the desk top.

To access the Error Codes touch the “ERROR” button from the desktop.

C-Parameters Read-Only

LCD No.	Name	Range
0	Coil Temp	-30~97°C
1	Exhaust Temp	-30~97°C
2	Ambient Temp	-30~97°C
3	AC Outlet Water Temp	-30~97°C
4	DHW Tank Temp	-30~97°C
5	Solar Temp	-30~97°C
6	DIN9 Status (N/A)	0 (connect) ; 1 (disconnect)
7	DIN6 Status (Heating Switch)	1 (connect) ; 0 (disconnect)
8	DIN5 Status (Cooling Switch)	1 (connect) ; 0 (disconnect)
9	Sterilization Status	1 (sterilization) ; 0 (normal)
10	High Pressure Switch Status	0 (connect) ; 1 (disconnect)
11	2nd High Pressure Switch Status	0 (connect) ; 1 (disconnect)
12	Low Pressure Switch Status	0 (connect) ; 1 (disconnect)
13	Inside Water Switch	0 (connect) ; 1 (disconnect)
14	GEO Water Flow Switch	0 (connect) ; 1 (disconnect)
15	Compressor Overcurrent Protect Switch Status	0 (connect) ; 1 (disconnect)
16	Defrost	0 (Off); 1 (On)
17	AC Antifreeze	0 (Off); 1 (On)
18	DHW Antifreeze	0 (Off); 1 (On)
19	Compressor Running Frequency	Inverter: comp Speed.
20	ASHP Outdoor Fan/ GEO HP Water Source Pump	1 : running ; 0: Stop
21	Compressor Heater	1 : running ; 0 Stop
22	4-way-valve	1 : running ; 0 : stop
23	Bypass Valve	1 : running ; 0 : stop
24	Hot Water Solenoid Valve G1	1 : running ; 0 : stop
25	AC Solenoid Valve G2	1 : running ; 0 : stop
26	Season Solenoid Valve G3	1 : running ; 0 : stop
27	DHW Heater E1	1 : running ; 0 : stop
28	AC Heater E2	1 : running ; 0 : stop
29	C4 Water Pump	1 : running ; 0 : stop
30	C5 Room AC Water Pump	1 : running ; 0 : stop
31	C6 AC Assistant Water Pump	1 : running ; 0 : stop
32	Working Current	Compressor DC Motor Current
33	OUT7 Status(g4, Free Cooling Valve)	1 : running ; 0 : stop
34	Heat Target Temp	
35	DHW Target Temp	
36	Sterilization Target Temp	
37	Compressor Drive Module Temp	-30~97°C
38	Suction Temp	-30~97°C
39	Inner Pipe Temp(refrigerant Pipe Temp)	-30~97°C
40	Expansion Valve Opening Degree	Actual Open Degree (For Checking)

C-Parameters Read-Only

41	Water Source Inlet Temp	-30~97°C
42	Water Source Outlet Temp	-30~97°C
43	Solar Water Tank Temp	-30~97°C
44	Return Lubricant Oil Function Status	1=Run;0=Stop
45	Indoor Temp	-30~97°C
46	AC Heating Target Temp	10-55C
47	Water Flow	0.1l/Min
48	Compressor Total Running Time1*1000 Hour	Over 1000 Digits
49	Compressor Total Running Time2	Below 1000 Digits
50	DHW TANK Coil Warning	When AC Inlet>50c, If AC Inlet-DHW Temp>10c,c50=1
51	EC C4 Water Pump Speed	0-10
52	Water Pump Duty Ratio	0-255
53	DC Fan 1 Rotate Speed	0-900
54	DC Fan 2 Rotate Speed	0-900
55	Running Mode (0=Off, 1=Cool, 2=Heat, 3=DHW)	
56	Target Frequency	30-90
57	Compressor Model Encode	CX50:C57=14, CX35:C57=16; CX50:C57=15
58	Low Pressure	N/a
59	High Pressure	N/A
60	Actual HP AC Return Water Temp	
62	Return Lubricant Oil Error Count On Display	See below^
72	Software Version No.	
73	AC Input Voltage	Line Voltage
74	Compensation Power	Output watts of V18
75	Stop Code	N/a
76	Busbar Voltage	DC Voltage to Compressor/ fan

P-Parameters

LCD	Description	Meaning	Default
P00	Auto Restart After Power Off	0 : Invalid ; 1 : Valid	1
P01	DHW Hot Water Temp Hysteresis Temp	2~15°C, Minus Hysteresis	2°C
P02	AC Temp Hysteresis Temp	2~15°C, Minus Hysteresis	2°C
P03	Coil Copper Pipe Temp To Active Defrost	-20~5°C	0°C
P05	Temp 2 To Active Defrost	-20~0°C	-5°C
P06	Coil Copper Pipe Temp To Stop Defrost	10~35°C	30°C
P07	Defrost Duration Time	15~99 Minutes	30
P08	Defrost Interval Time	15~99 Minutes	35
P09	Ambient Temp To Activate E1 DHW E-heater	-20~20°C	0°C
P10	Ambient Temp To Activate E2 AC E-heater	-20~20°C	0°C
P11	DHW Frequency Limitation Percentage	2~10 (= Highest Frequency* 20~100%)	10
P12	Compressor Discharge Air Protection Temp	100~127°C	100°C
P13	Defrost Interval Multiple Times Control	0 : No Defrost 1~4 ; Defrost Interval Time Multiple Rate	1
P14	G3 Valve Function Selection	0 : G3 Is Seasonal Switching Valve 1 : G3 is Solar Valve	0
P15	Cooling Target Temp	10~25°C	12
P16	Heating Target Temp	(Au)10~55°C	45
P17	DHW Target Temp	(Au)10~55°C	50
P18	Sterilization Target Temp		65
P19	Fixed Speed At Manual Speed Control (For Factory Testing Only)	10~100 Hz	50hz
P20	Running Frequency Control Set (For Factory Testing Only)	0 : Manual Frequency ; 1 : Auto Running Frequency	1
P21	EEV Manually Initial Open Degree (Heating)	40~480 When P23=0,1,2 It Is Fixed Degree, When P23=3, It Is Initial Open Degree	350
P22	EEV Manually Initial Open Degree (Cooling)	40~480 When P23=0,1,2 It Is Fixed Degree, When P23=3, It Is Initial Open Degree	350
P23	EEV Control Mode	0=No ; 1=Checking Table ; 2=Manual ; 3=Auto	3
P24	EEV Over Heat Temp (Heating)	-5~10°C For Factory Only	0°C
P25	EEV Over Heat Temp (Cooling)	-5~10°C For Factory Only	0°C
P26	Water Pump Working Mode	0 = (Not Stop) 1 = Stop When Reach Temp、 2 = Run 1 Minute Every 15min.	0
P27	Second Heat Source Function	0: Invalid, 1: Normal 2nd Heat Source, 2: Together With E2, 3: Together With Gas Boiler	0
P28	Starting Air Temp For Second Heat Source	-30~15°C(On When Lower Than This)	-15°C
P29	Room Target Temp	10-28°C	21°C
P30	Reserved	0	0
P31	Reserved	0	0
P33	Start Defrost Air - Coil Temp Difference	0~40°C	8°C
P36	Compressor Max Speed	10-200	80
P45	AC AU Curve Offset Value (Our Weather Compensation Curve AU)	-15~15°C	0°C
P46	AC AU Curve Max Temp Value (Our AU)	30~50°C	45

P-Parameters

P47	Night Mode Validation DHW Increase 3C)	(Night Mode: 0 (Off) 、 1 (On)	0
P48	Night Mode Starting Time	0-23 (Time)	22
P49	Night Mode Ending Time	0-23 (Time)	6
P50	Flow Switch Minimum Enabled Water Flow Switch On (CN5)	6~60L/Min	6
P51	Local RS485 Address	0~99	1
P52	Water Flow Switch Type	0: No Water Flow Switch 1: YF-G1 Water Flow Meter "Black" 2:YF-DN50 Waterflow Meter "Not Used" 3:SEN-HZG1WA Copper Waterflow Meter	3
P53	Virus Killing Function Validation	0= Invalid; 1= Valid	0
P54	Cooling Function Validation	0= Invalid; 1= Valid	1
P55	Heating Function Validation	0= Invalid; 1= Valid	1
P56	DHW Function Validation	0= Invalid; 1= Valid	1
P57	Air Source Or Geo Source Selection	0= Invalid; 1= Valid	0
P58	Solar Source Validation	0= Invalid; 1= Valid	0
P59	Simple Or Inverter HP Selection	0= Simple; 1= Inverter Type	1
P60	Indoor PCB Enable Not Applicable	0= Invalid; 1= Valid	0
P61	Fan Selection	0= AC Fan; 1=DC Fan	3
P62	Heating Fan Highest Speed	71~100	90
P63	Fan Lowest Speed	30~70	50
P64	Manual Set Fan Speed	30~100	50
P65	DC Fan Speed Adjustment Temp For Heating	2-15°C	4
P66	DC Fan Speed Adjustment Temp For Cooling	3-18°C	5
P67	C4 Water Pump Selection	0: Normal 1:PWM	1
P68	C4 Water Pump Water Temp Difference	Range:1-10	5
P69	C4 Lowest Water Pump Speed	Range:2-8	4
P70	Restore Default Parameter	0: Normal 1: Restore Once	0
P73	G4 Heat Recovery Valve Selection	0:Parallely 1: Serially 2 Free Cooling	0
P74	SSR Increase To Max Delay Time	1~20 Minutes	10
P80	Virus Killing Once	0: No 1: Kill Once	0
P81	Virus Killing Interval Days	X: 7—99 Days	7
P82	Virus Killing Start Time	Y: 0—23	1
P83	Virus Killing Duration Time	Z: 5—99 Minutes	10
P84	E2 Start Delay Time	5~15 Minutes	15
P85	Heat Recovery Module Enable (Not Used)	0= Invalid; 1=valid (Out16=heat Recovery Water Pump)	0
P89	Temp Unit	0=c; 1=f	0
P90	E2 Capacity	0-25000	5000
P91	E2 Rated Voltage V	0~250	230
P92	E2 Heat Exchange Factor	0~600	500
P93	E2 Voltage Compensation V	-20~20v	0
P94	Cooling Temp Range (If Set To 1, Must Use Enough Glycol)	0:10~25; 1:0~25	0
P95	AC Antifreeze Start Temp	-15~7	5
P96	AC Heating Mini Frequency	30~50	30
P97	AC Cooling Fan Max Speed	71~100	90
P98	Free Cooling Start Air Temp	-16~20c	5
P99	Free Cooling Temp Difference	3~15c	5
P100	Error Reset	0: Not Reset; 1: Reset Once	0
P101	Resonance Range Bottom Point	30~p102	100
P102	Resonance Range Top Point	P101~44	100
P103	Heating Mode Start Air Temp	0~17	0
P104	Cooling Mode Start Air Temp	0~25	0
P105	EEV Max Degree When C19<40	50~240	240



Error Code	Error Meaning
F01	Voltage Protection
F02	Compressor Drive Module PFC Error
F03	Abnormal Stop Of The Compressor When Running
F04	Compressor Drive Heat Sink Temperature Sensor Error
F05	Outdoor Current Sensor Error
F06	IPM Error
F07	Compressor Failed To Start
F08	Machine Overcurrent Protect
F10	Compressor Drive Module PFC Overcurrent
F11	Compressor Drive IPM Overcurrent
F12	Compressor Drive Module Comm Error
F13	Compressor Drive Module Busbar Voltage Error
F14	DC Fan 1 Error
F15	DC Fan 2 Error
E01	Exhaust High Temp Protect
E02	Outer Air Temp Sensor Error
E03	Pipe Temp Sensor Error
E04	AC Return Water Sensor Error
E05	AC Outlet Water Sensor Error
E06	DHW Tank Sensor Error
E07	Solar Water Temp Sensor Error
E08	Coil High Temp Protect
E09	AC Anti Freezing Twice
E10	Hot Water Anti-Freezing Twice
E11	Refrigerant (Indoor Coil) Temp Sender Error
E14	Suction Temp Sensor Error
E15	Exhaust Temp Sensor Error
	Or AC Antifreeze 3 Times Within 20 Minutes
E18	Error For Inlet And Outlet Water Temp Difference Too Small
P01	High Pressure Protect
P02	Low Pressor Protect
P03	Overheat Protect
P05	Water Flow Error
P06	Water Source Water Flow Error(Ground Source Model)
P07	Phase Loss
P09	Water Source Antifreeze(Ground Source Model)

Dynamic Outdoor Reset Control

The Chiltrix CX50-1 unit is equipped with an automatic outdoor reset function that can be accessed via the onboard controller.

Advantages & Misconceptions of Using Outdoor Reset

Most people in the radiant heating industry will tell you that outdoor reset is used to get more BTU delivery from the radiant system on a day when the radiant system can't deliver enough BTUs to keep up with the load, and they use outdoor reset to crank up the radiant heat operating temperature to 120F, or higher. While that's true, it's also true that the best designed air to water radiant systems will be able to deliver what's needed at a fairly low temperature even with severe outdoor design conditions.

So if you can't get enough radiant capacity into the floor, then if possible, add some to the walls or ceiling. Note that radiant heat works just as well from the ceiling or walls as it does from a floor. And in some cases, it works better from the ceiling.

Why does keeping the operating temperature low matter so much?

With a fossil fuel burning boiler, it doesn't matter. Gas, propane, and oil efficiency does not vary with outdoor temperature. But that's not the case with a heat pump.

Here's why:

$$W = \frac{Q_1}{COP_p} = \frac{Q_1(T_1 - T_2)}{\eta_{mech} T_1}$$

For a real-world example, at 0F outdoor temperature, an air to water heat pump such as the CX50 will have >20% higher capacity when used with an operating temperature of 95F compared to operating at 122F. And COP at 95F will be >30% higher at 95F than at 122F.

So why use outdoor reset?

The best use of outdoor reset is as a strategy for extra energy savings, such that the system will always be able to handle the load at the lowest possible operating temperature that can satisfy the load, at the current weather condition, and then letting the system automatically adjust itself to the most efficient temperature.

How to Use Chiltrix Dynamic Outdoor Reset Control

Use With or Without V18-B Backup Heat (Current Model)

Not For Use With V18 (original model)

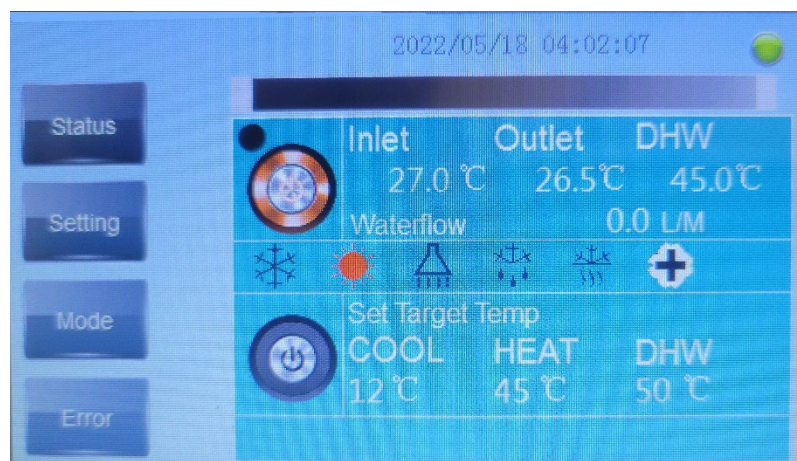
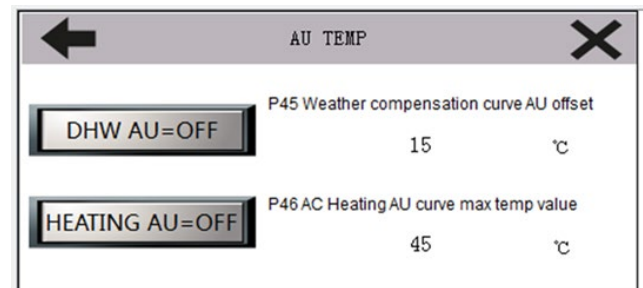
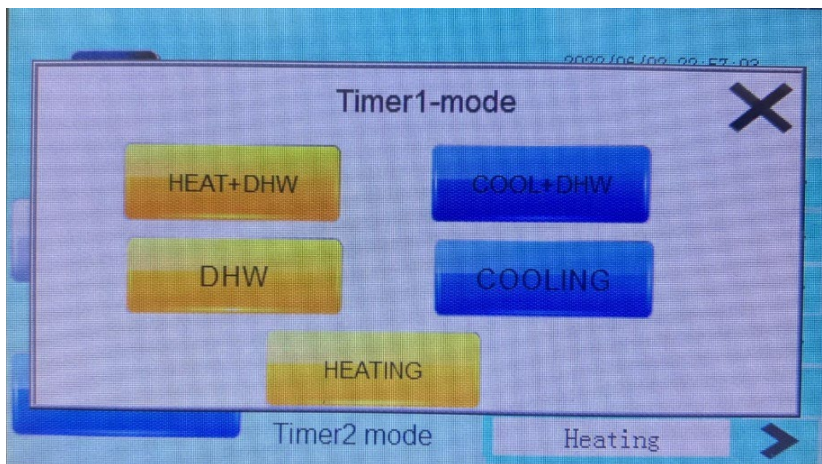
Use the free Excel curve development worksheet tool to create the proper curve and discover correct parameter settings for P45 and P46. The tool is located at <https://www.chiltrix.com/dynamic-heat-reset>

Set parameter P45 and P46 in CX50 controller according to the values used in your curve worksheet.

There is an "AU TEMP" icon inside of the mode section of the main screen of the controller. If you press on it then you will enter the AU TEMP mode screen. You will need to enable "HEATING AU" to ON. With AU Heating on, it will be displayed as an orange/red color.

From there you can adjust the "weather compensation curve AU offset" and the "AC Heating AU curve max temp value". The "AU" will also be illuminated on the main screen around the heat mode.

Enable AU of heat mode as shown below.



How to Use Automatic Switch-Over

This is an on-board function and does not require a separate add-on controller to operate. This function allows the CX50 to automatically select its mode, either heating, cooling, or standby (off), according to outdoor temperature. This can be particularly useful for example, if a single CX50 is shared by two different tenants, allowing the property manager to (automatically) select the mode according to the actual outdoor weather conditions.

There is a minimum of 4C (7.2F) deadband required to limit daily switching. A suggested setting would be to run in heating mode when outdoor temperature is 60F or below, use cooling when outdoor temperature is 69F or above, and between 60-69 the system will be in standby (off) mode.

If your CX50 is used with a Psychrologix controller, please make sure the Psychrologix auto-switchover function is disabled and only use the on-board automatic switchover function. Or, vice-versa. Only one method of external control can be used on the same system. Likewise, this function cannot be used on either controller if you are using C-H-COM remote relay mode control.

To use this function, follow these 6 steps:

1. Make sure that C-H-Com are NOT being used. The jumpers that are supplied should remain in place as shown on page 28
2. Note that P103 and P104 temperatures are in C not F.
3. The settings P103 and P014 must be at least 4C different between each other.
4. Result: If outdoor air drops below P103 the system will switch to heating.
5. If outdoor temperature rises above P104 the system will switch to cooling.
6. The default setting of P103 and P104 is 0. This means the autoswitch function is disabled. If you change either of these to a number other than 0 the function will be enabled.

Commissioning “To Be Performed In Heating Mode Only”
An as-built design will need to be provided to Chiltrix by email before the commissioning call.

For Commissioning please arrange a commissioning call with Chiltrix Support Dept. +1 757-410-8640 Ext. 112

PLEASE MAKE SURE TO CALL CHILTRIX BEFORE COMMISSIONING

Preparation

After finishing the installation tasks, please check the items below:

1. Check the Wired Controller P Parameters for the most updated settings.
2. Check that the power cable is securely connected and the screws are tight.
3. Is the display lit on the wired controller after the power is applied?
4. Verify that all the shut off valves and manual valves are open. Insulate all water supply and return pipes.
5. Test only in **heating mode** to verify proper water flow.

Water or Glycol Filling (See page 28) A 10% minimum glycol mixture is suggested to protect the unit from freezing and provide corrosion inhibition. Refer to the chart on page 12.

1. With a hose and filling pump connected to the CX50 water system, and all air exhaust valves open in the water system, fill the water loop with water and glycol mixture. Keep the air exhaust valves open until there is a continuous flow of water and glycol mixture coming out of the air exhaust valve. Then close the air exhaust valves. See pages 29/30 for more details.
2. Discharge the air from both domestic hot water system and air conditioning water system. CXI fan coils have a bleeder valve located near the inlet and outlet ports. The CX50 has a bleeder tube attached to the brazed plate heat exchanger.

To avoid freezing the heat pump when the air temperature drops below 32F in winter, you must use an appropriate glycol and water mixture. We recommend biodegradable non-toxic HSE Corn Glycol, any Propylene Glycol (PG) can be used. DO NOT USE ETHYLENE GLYCOL

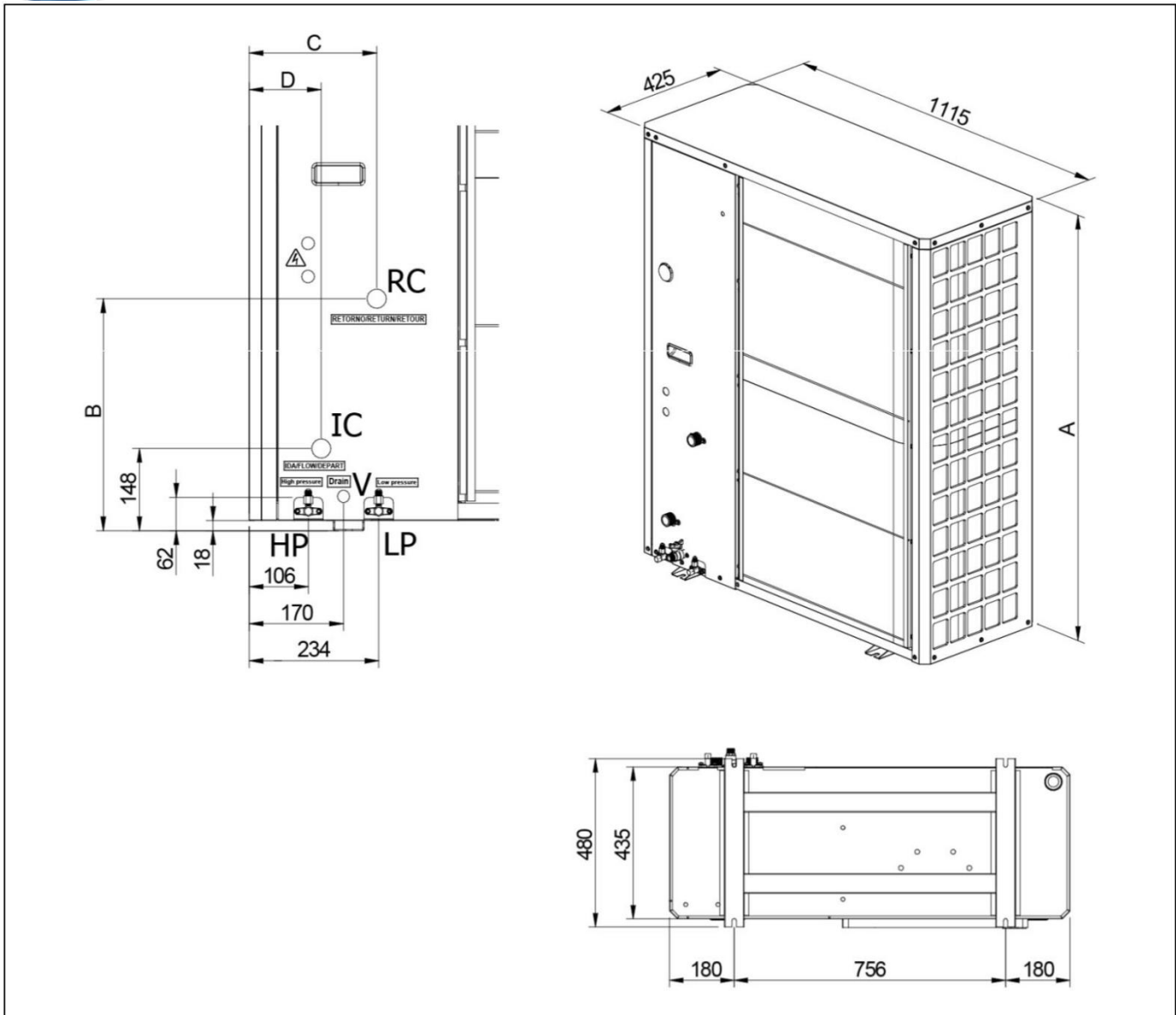
Running a Test- Call tech support if this is your first time commissioning a CX50.

Apply power to the CX50 and select **heating mode** using the wired controller. If there is not enough flow in the system or air in the lines and you will get P5 and possibly P1 errors. Call tech support if any error codes are displayed on the wired controller.

Chiltrix Tech Support hours of operation, M-F, 9 am-6 pm EST, 757-410-8640 x112

MOST IMPORTANT!

Initial test and commissioning should be done in **heating mode**. Make sure it is not in cooling mode during first operation or running a test, until you make sure the water is flowing properly. Failure to do so may damage the heat exchanger and not be covered under warranty.



A (mm)	1280
B (mm)	419
C (mm)	230
D(mm)	130
IC: Flow Heating/Cooling	1'-1/4'
RC: Return Heating/Cooling	1'-1/4'
V: Draining the water circuit	1/2''