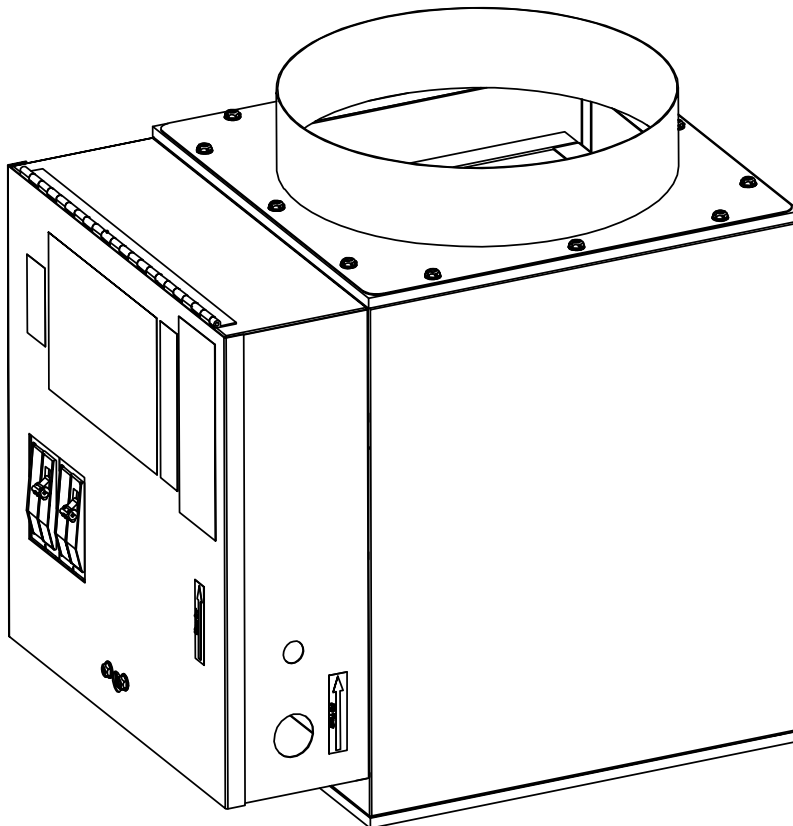


The Unico System[®]

ELECTRIC FURNACE INSTALLATION MANUAL

BULLETIN 30-034



IMPORTANT!

Please read before installation

For safe installation and trouble-free operation, you must:

- Carefully read this instruction booklet before beginning.
- Follow each installation or repair step exactly as shown.
- The unit must be installed in accordance with all local, state, and national wiring regulations.
- Pay close attention to all warning and caution notices given in this manual.
- The unit must be supplied with a dedicated electrical line.
- Unit maximum operating elevation of 15,000 ft (4572 m)

If necessary, get help

These instructions are all you need for most installation sites and maintenance conditions.

If you require additional help for a special problem, contact our customer service department for additional instructions.

In case of improper installation

The manufacturer shall in no way be responsible for improper installation or maintenance service, including failure to follow the instructions in this document.

WARNING

When wiring



ELECTRICAL SHOCK CAN CAUSE SEVERE PERSONAL INJURY OR DEATH. ONLY A QUALIFIED, EXPERIENCED ELECTRICIAN SHOULD ATTEMPT TO WIRE THIS SYSTEM

- Do not supply power to the unit until all wiring and tubing are completed or reconnected and checked, to ensure the grounding.
 - Highly dangerous electrical voltages are used in this system. Carefully refer to the wiring diagram and these instructions when wiring.
- Improper connections and inadequate grounding can cause **accidental injury and death**.
- **Ground the unit** following local electrical codes.
 - The Yellow/Green wire cannot be used for any connection different from the ground connection.
 - Connect all wiring tightly. Loose wiring may cause overheating at connection points and a possible fire hazard.
 - This appliance is not intended for use by persons (including children) with reduced physical, sensory or mental capabilities, or lack of experience and knowledge, unless they have been given supervision or instruction concerning use of the appliance by a person responsible for their safety.
 - Children should be supervised to ensure that they do not play with the appliance.
 - Means for disconnection must be incorporated in the fixed wiring in accordance with the wiring rules and codes.

Digital copies and additional Bulletins can be found online at: www.unicosystem.com/resources/

TABLE OF CONTENTS

INTRODUCTION4
LOCATION4
MOUNTING5
SPECIAL WIRING FOR HEAT PUMPS9
SEQUENCE OF OPERATION9
CAPACITY AT LOWER VOLTAGES9
OPTIONAL ADAPTERS AND SPARE PARTS10
DUCT DESIGN11

Certified to UL 60335-2-40
UL 60335-1
Conforms to CSA C22.2 #60335-2-40
CSA C22.2 #60335-1

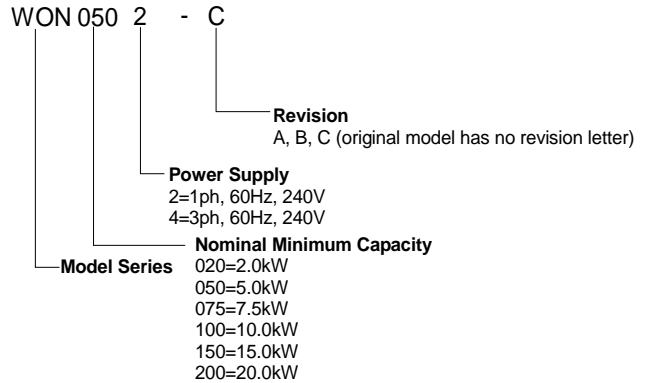


Unico products comply with the European regulations that guarantee product safety.

Installation Instructions



Model Number Key



INTRODUCTION

General. The information on the following pages is to provide the installer the necessary information to properly install the *Unico System* electric furnaces. The electric furnaces are designed to provide primary or auxiliary heating. The available model numbers, capacity, and air handler compatibility are shown in the Table 1.

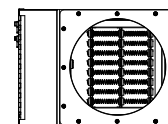
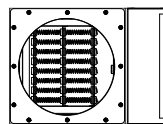
Table 1. Electric Furnaces

Model Number	Nominal kW Rating	Air Handler Compatibility	Min. Airflow, CFM (m ³ /s)
WON0202-C	2	All sizes	100 (0.05)
WON0502-C	5		250 (0.12)
WON0504-C			300 (0.14)
WON0752-C	7.5	2430, 3036, 3642 and 4860	300 (0.14)
WON0754-C			500 (0.24)
WON1002-C	10		500 (0.24)
WON1004-C	15	2430, 3036, 3642 and 4860	600 (0.28)
WON1502-C			600 (0.28)
WON1504-C	15	3036, 3642 and 4860	800 (0.38)
WON2002-C	20	3036, 3642 and 4860	800 (0.38)

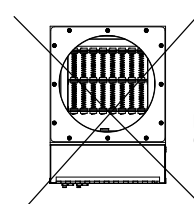
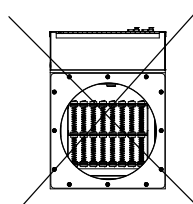
LOCATION

Before installing the furnace, inspect the unit thoroughly for shipping damage. Check all porcelain insulators for any breaks and inspect the furnace element wire to see that none have been deformed. Check the heating elements for loose connections that could cause overheating. If any shipping damage is found, notify the carrier immediately.

Install the furnace by attaching it directly to the air handler using the adapter collar provided with the furnace. Alternately the furnace can be placed in the duct system to act as a duct heater. For this configuration, an additional duct collar (see table 6 below) must be ordered to correctly install the heater. In either configuration, position the unit so the arrow label on the cover of the electric furnace control box is in the direction of the airflow. The electric furnace control box can be placed on either side of the unit as shown in Figure 1.



Acceptable mounting positions in the horizontal configuration.



Non-Acceptable mounting positions in the horizontal configuration.

IL00487.cvx

Figure 1. Orientation of control box (Horizontal airflow)

MOUNTING

Mounting Instructions. Attach the electric furnace to the unit using the square adapter collar supplied with the electric heater. The electric furnace may be mounted with horizontal or vertical airflow.

The adapter collar should be flush with the edge of the blower cabinet (bottom for the M-series, rear for the V-series, and top for the U-series). Center the collar horizontally over the blower opening. Use the #10 x 3/8" type AB sheet metal screws located inside the bulletin packet shipped with the blower module to attach the adapter collar to the air handler.

If the blower has a single-speed motor, you must install the restrictor plate. **DO NOT USE THE RESTRICTOR PLATE WITH VARIABLE SPEED MOTORS.** Slide the restrictor plate behind the adapter collar to the fully open position (see Figure 2).

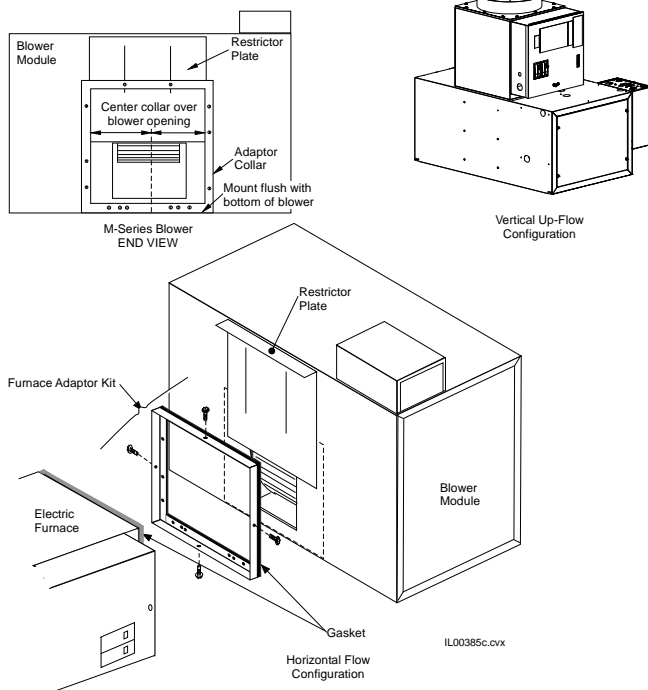


Figure 2. Modular Unit Furnace Installation

Insert the furnace into the furnace adaptor and secure it using the (4) #8 x 3/4" modified Phillips head self-drilling screws shipped with the electric furnace. If using a restrictor plate, adjust the plate to the proper airflow (refer to *Bulletin 30-020*) then use #10 x 3/8" type AB sheet metal screws located inside the bulletin packet shipped with the blower module to secure the restrictor plate in place.

For vertical installations, mount the electrical furnace control box in any position. The circuit breaker can be repositioned for vertical installations, if needed, so that the switch is in the down position when turned off.

For horizontal air flow applications, be sure the electric furnace is fully supported using the supplied strap. If the furnace is not supported from underneath the unit, use a hanging strap to support the furnace by attaching one side to the top of the air handler and the other to the end of the furnace as shown in figure 3 and 4. Mount the furnace with the control box on either side. **Do not install the furnace with the control box on top or bottom.**

Support the furnace on the rafters, floor, or platform with the air handler. If using a platform, make it large enough to support the entire furnace and air handler. Rest the platform on the floor or hang it with chains or cables. Refer to Bulletin 30-20 for mounting instructions.

CAUTION
DO NOT HANG UNIT DIRECTLY FROM HOUSING TO PREVENT DAMAGE TO THE ELECTRICAL ELEMENTS.

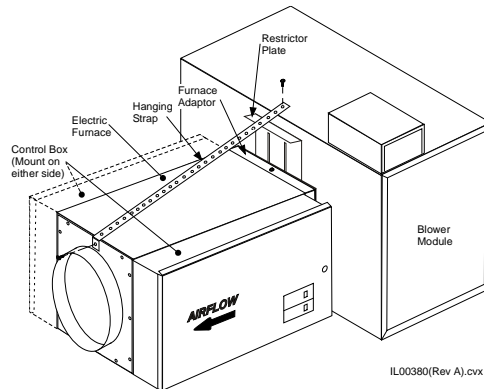


Figure 3. Hanging Strap Placement

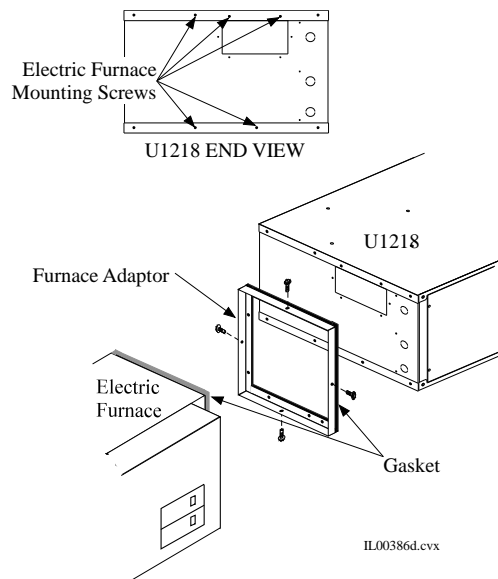
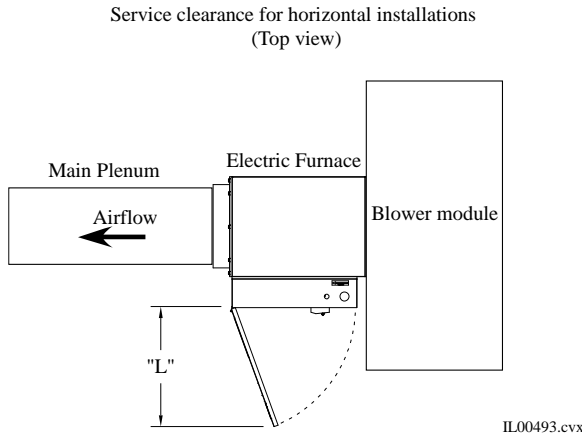


Figure 4. U1218 Electric Furnace Mounting

All furnaces are suitable for zero clearance between the duct and combustible material. For servicing the control box, allow enough room (“L”) to swing the cover open and to service the blower module (Figure 5). The hinge is located on the electric furnace control box closest to the discharge end of the electric furnace.



Models	"L"
WON0202, WON0502	13.0
WON0752, WON1002	16.0
WON1502, WON0504, WON0754, WON1004, WON1504	21.0
WON2002	24.0

Figure 5. Service clearance for horizontal installations

For round metal plenum systems, use the correct diameter metal pipe adapter for your plenum size. For example, the 1218 and 2430 systems typically use 7-inch (178mm), the 3642 system uses 9-inch (228.6-mm), and the 4860 systems use 10-inch (254mm) diameter pipe. Figure 6 shows the installation of the Plenum adapter (10-inch round plenum adapter is already attached).

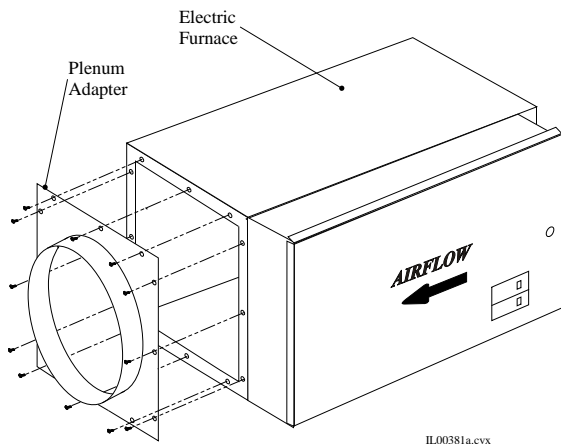


Figure 6. Start Collar Installation

Always allow a minimum of 24 inches (610 mm) of straight duct between the discharge side of the electric furnace and any tee or elbow as shown in figure 7.

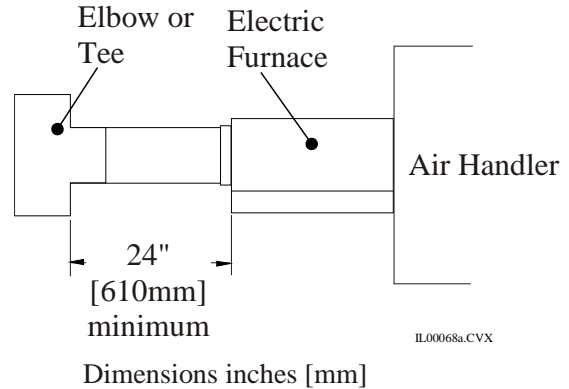


Figure 7. Minimum distance from duct to furnace

The furnace also includes a 9½ × 9½-inch (241 × 241-mm) square plenum adapter. If the plenum is smaller, then use a reducer fitting. Fiberglass reducers are available to reduce the 9½-inch (241mm) square duct to 8½-inch (216-mm) or 6½-inch (165mm) square duct as shown in table 7. Alternately, the reducer can be eliminated if you use the metal plenum adapter shown in table 6.

The plenum adapters are designed to fit inside the square duct and are secured with sheet metal screws and washers. The joint must be sealed per UL-181A-M or UL-181A-P as seen in figure 8 to ensure an airtight system.

Note: All metal connections must be mechanically fastened with sheet metal screws and the joints and seams must be taped with UL-181A-P foil faced tape or sealed with UL-181A-M duct mastic.

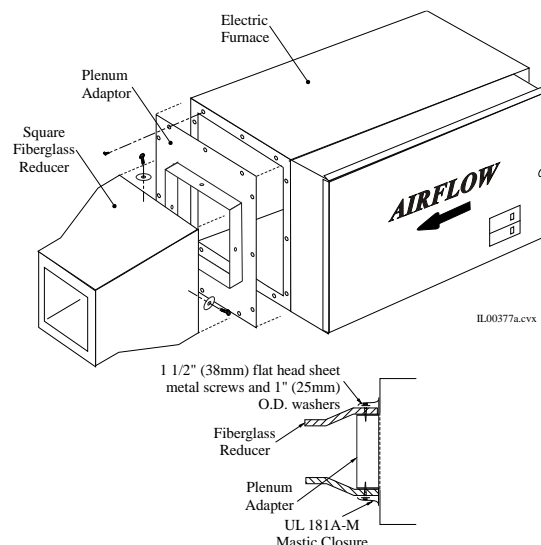


Figure 8. Square Duct Installation (Furnace shown with optional square plenum adapter)

Insulate all metal ducting with 1.5-inch (38-mm) minimum fiberglass insulation. For round duct, use either sleeve insulation or foil-faced duct wrap. For square duct use either fiberglass duct board or foil-faced duct wrap. Tape all seams to prevent air leaks.

High Humidity. When the furnace is installed in high humidity areas, such as an unconditioned attic or crawlspace, there is a possibility of condensation forming on the furnace cabinet during the cooling mode. To prevent condensation, cover the furnace with 1-inch (25mm) foil faced fiberglass insulation or duct board. Be sure to allow access to the control box cover for servicing (Figure 9). Tape all seams with UL 181-A-P aluminum tape.

Insulate exterior cabinet except the control panel in high humidity areas with a minimum of 1.0" [25mm] thick fiberglass or foam rubber

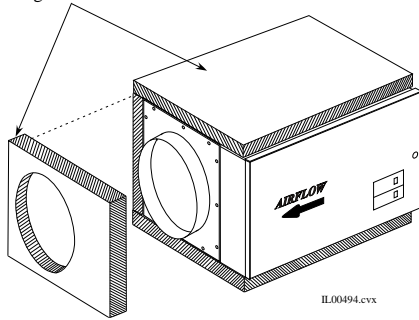


Figure 9. High humidity applications.

WIRING

WARNING!
DISCONNECT ELECTRICAL SUPPLY BEFORE WIRING UNIT TO PREVENT INJURY OR DEATH FROM ELECTRICAL SHOCK.

All electrical wiring must comply with all local codes and ordinances.

Connect power supply to a main disconnect per local codes. The power connects to the line input terminals as shown on the electrical wiring diagrams. For single phase these are labeled: L1, L2 and for three phase these are labeled: L1, L2, L3. Refer to the label on the control box lid for specific wire sizes and amperage. Connect a ground wire to the ground lug labeled G.

CAUTION

TO PREVENT FIRE AND OTHER ELECTRICAL HAZARDS, ALL WIRING MUST HAVE PROPERLY SIZED OVERCURRENT PROTECTION.

Note: The circuit breakers installed in this device provide short-circuit protection of internal wiring and DO NOT provide over current protection of the supply wiring.

Separate power supply. The electric furnace is equipped with several circuit breakers, including a circuit breaker for the blower (M1, M2). The blower circuit breaker provides a convenient disconnect for the blower motor for service. For single phase furnaces the blower circuit breaker is separate from the heater circuit breakers. Turning off the heater circuit breaker will not disconnect the blower power. For three phase furnaces, the blower circuit breaker is in line with the heater circuit breaker. Turning off the heater will shut off the motor.

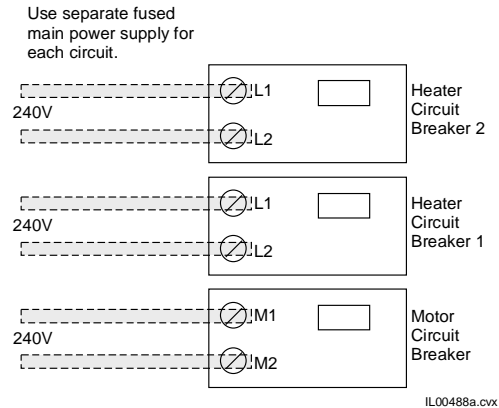


Figure 10. Separate heater and motor circuits

Combining the motor and heater loads (single phase heaters only). All single phase furnaces include a 4-pole jumper bar (P/N: A01241-001) to combine the blower motor circuit breaker and one of the heater circuit breakers (Figure 11). The combined load can be powered by one fused main circuit sized for both the heater and motor loads. Remove the jumper bars if using a separate power supply for motor and electric furnace as in Figure 10.

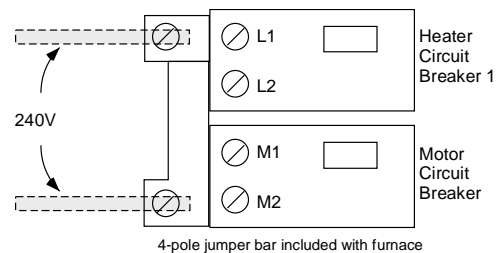


Figure 11. Combined blower motor and one heater circuit wiring (single phase furnaces only) (10kW and below)

The 15 and 20 kW single phase heaters have two heater circuit breakers because most residential codes limit

circuit sizes to 60 amps. To combine one of the heater circuits and the motor circuit similar to the 10kw, use the 4-pole jumper bar included (Figure 12). Use an optional 6-pole jumper bar (P/N: A01241-002 to combine all the circuit breakers into one large circuit (Figure 13).

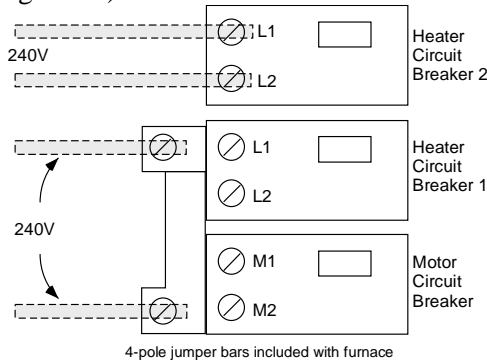


Figure 12. Combined one heater circuit and motor circuit with 4-pole jumper bar. (15 and 20 kW single phase furnaces only) (Option 1)

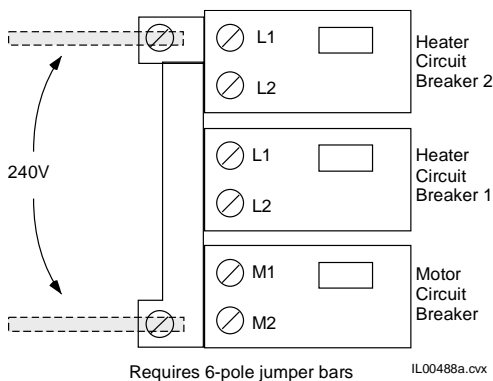


Figure 13. Single power supply (15 and 20 kW single phase furnaces only) (Option 2)

Blower control box mounting. When using a *Unico* electric furnace, mount the blower control box on top of the blower cabinet or to a remote location near the blower module.

Control wiring. The electric furnace is controlled with 24Vac control signals. The furnace has one, two, or three stages (steps) of heat. These can be combined with a jumper wire if desired. Refer to the blower motor instructions for information on how to connect an electric furnace to the blower motor control. The method of connection will vary for different models of blowers. Figures 14-16 are examples.

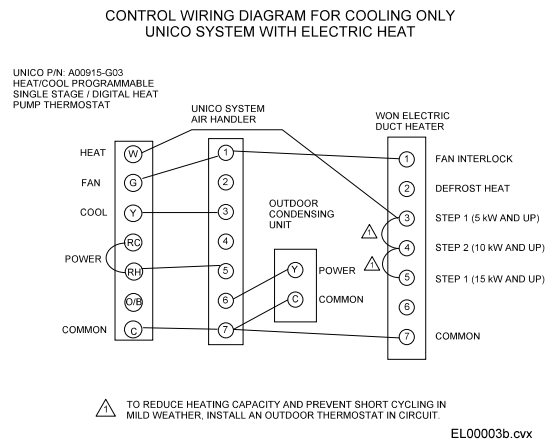


Figure 14. Control Wiring Diagram for Heating-Only or Cooling/Heating Applications

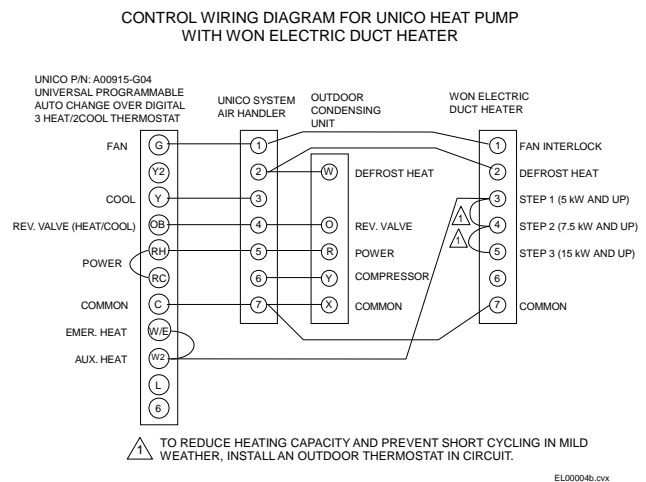


Figure 15. Control Wiring Diagram for Heat Pump Applications

All furnaces below 20 kW are internally wired to provide 5 kW of defrost heat. The 20 kW furnace provides 10 kW of defrost heat. If 10 kW of heating during defrost is desired for the smaller kW furnaces, contact the Unico Engineering Office for instructions. It is important to use a thermostat designed for use with electric heat because a normal HEAT-COOL thermostat will not energize the fan. Thermostats designed for heat pump systems will also work. Match thermostat anticipator settings for combined amperage load of all components, including electric furnace contactors, to prevent damage to thermostat. The internal wiring diagrams are shown in Figures 18 through 22.

SPECIAL WIRING FOR HEAT PUMPS

When using a heat pump coil it may be necessary to install an outdoor thermostat because the entering air is set at 70°F (21°C) and the heater has an auto limit set at 165°F (73°C). The outdoor thermostat will prevent short-cycling of the heater auto limit due to high temperature air and will energize the 3rd stage. Refer to Table 2 to determine if your system requires an outdoor thermostat.

Table 2. When to use outdoor thermostat for last stage furnaces

Airflow CFM (m³/s)	kW Rating of Electric Furnaces					
	2	5	7.5	10	15	20
200 (.09)			N/A	N/A	N/A	N/A
300 (.14)			N/A	N/A	N/A	N/A
400 (.19)				N/A	N/A	N/A
500 (.24)					N/A	N/A
600 (.28)						N/A
700 (.33)						N/A
800 (.38)						
900 (.42)						
1000 (.47)						
1250 (.59)						
	Outdoor thermostat not required					
	Use outdoor thermostat to limit last stage element					

For units using the *Unico* Smart Control Board (SCB), no outdoor thermostats are required. The *Unico* SCB will lock out the third stage of the electric furnace when the heat pump is on.

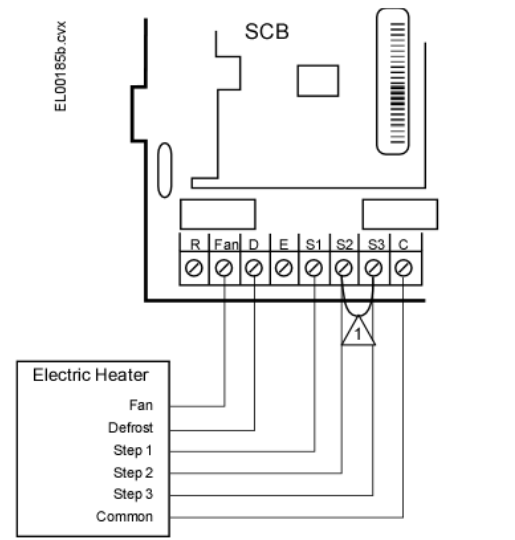


Figure 16. Control Wiring to the SCB

SEQUENCE OF OPERATION

All furnaces have a built-in delay feature to delay the furnace from coming on before the air handler is operating. There is no delay-off feature. As soon as the thermostat is satisfied, the furnace de-energizes. For the single speed air handlers with PSC motors, the blower will also immediately stop. For the variable speed EC motor and SCB, the air handler will ramp down for 45 seconds. An air pressure switch is in series with the fan interlock relay for added protection and safety. The larger furnaces have multiple stages with time-delay sequencers for a softer start.

CAPACITY AT LOWER VOLTAGES

The elements are rated at 240 Volts and should not be used at higher voltages. Lower voltages are acceptable. However, furnaces are resistive loads so capacity is reduced by the square of the voltage ratio.

$$kW \text{ (output)} = kW \text{ (rated)} \times (V/240)^2$$

Note: (V/240)² = Factor

Example: For a WON0752-C Model: kW (output) = 7.2 x (230/240)²
 kW (output) = 6.6kW

Therefore, multiply the rated capacity shown in Table 4 by the factor shown in Table 3 to determine the actual output of the furnace at other voltages.

Table 3. Furnace Capacity Factor at other voltages

Voltage	Factor
240	1.00
230	0.92
220	0.84
208	0.75
200	0.69

Table 4. Rated Capacity for WON heaters

Model	L inch	Rated Capacity kW @240V	Amperage @ 240V
WON0202-C	13	2.0	8.30
WON0502-C	13	4.8	20.00
WON0752-C	16	7.2	31.25
WON1002-C	16	9.6	40.00
WON1502-C	21	14.4	60.00
WON2002-C	24	19.2	80.00
WON0504-C	21	4.8	11.54
WON0754-C	21	7.2	18.04
WON1004-C	21	9.6	23.09
WON1504-C	21	14.4	34.64

OPTIONAL ADAPTERS AND SPARE PARTS

Tables 5 and 6 provide a list of optional plenum adapters available for the electric furnace. Spare parts are also listed in Table 8 and can be ordered using the part numbers shown.

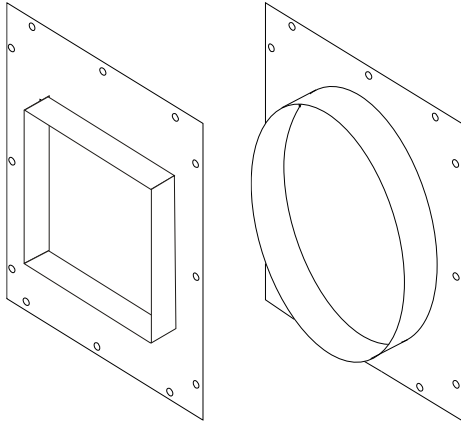


Table 5. Plenum Adapters (Optional)

A Size	Part Number
7-inch [178 mm] Round	A01007-G01
9-inch [228 mm] Round	A01007-G02
10-inch [254 mm] Round	A01007-G03 *
6.5-inch [165 mm] Square	A01008-G01
8.5-inch [216 mm] Square	A01008-G02
9.5-inch [241 mm] Square	A01008-G03 *

*Included with unit

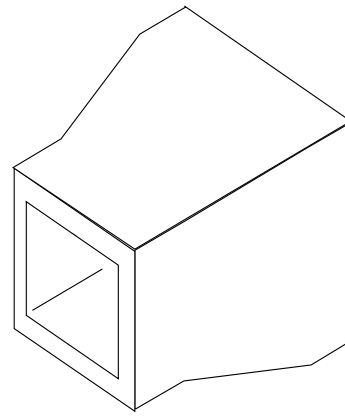


Table 6. 1 inch (25 mm) Fiberglass Square Reducers (Optional)

Part No.	Square Size
UPC-29-9585S	9.5 to 8.5 inch [241 to 216 mm]
UPC-29-9565S	9.5 to 6.5 inch [241 to 165 mm]
UPC-29-8565S	8.5 to 6.5 inch [241 to 216 mm]

DUCT DESIGN

The design of the duct system must account for the added restriction of the furnace. Table 5 lists the static pressure drop of the furnaces. Usually it will be necessary to add additional outlets to account for the added restriction, particularly for the systems requiring more than 800 CFM (378 L/s). For these systems it is not unusual to have 7 outlets per ton.

Table 7. Pressure drop, inches of water (Pa)

		Air Handler Airflow Range	Electric Duct Heater Models					
		CFM (L/s)	2kW	5kW	7.5kW	10kW	15kW	20kW
U1218		150 (71)	0.04 (10.0)	0.06 (14.9)	0.04 (10.0)			
		200 (94)	0.07 (17.4)	0.11 (27.4)	0.08 (19.9)			
		250 (118)	0.11 (27.4)	0.17 (42.3)	0.12 (29.9)			
		300 (142)	0.16 (39.8)	0.24 (59.8)	0.18 (44.8)			
		350 (165)	0.21 (52.3)	0.32 (79.7)	0.24 (59.8)			
M2430B	M3036B	400 (189)		0.14 (34.9)	0.18 (44.8)	0.19 (47.3)		
		450 (212)		0.17 (42.3)	0.21 (52.3)	0.23 (57.3)		
		500 (236)		0.20 (49.8)	0.25 (62.3)	0.27 (67.2)		
		550 (260)		0.23 (57.3)	0.29 (72.2)	0.31 (77.2)		
		600 (283)		0.27 (67.2)	0.33 (82.2)	0.35 (87.2)	0.47 (117.0)	
		650 (307)		0.30 (74.7)	0.37 (92.1)	0.39 (97.1)	0.53 (132.0)	
		700 (330)		0.33 (82.2)	0.41 (102.1)	0.44 (109.6)	0.59 (146.9)	
M4860B	M3642B	750 (354)		0.15 (37.4)	-	0.26 (64.7)	0.35 (87.2)	
		800 (378)		0.16 (39.8)	-	0.28 (69.7)	0.38 (94.6)	0.48 (119.5)
		850 (401)		0.17 (42.3)	-	0.30 (74.7)	0.41 (102.1)	0.51 (127.0)
		900 (423)		0.19 (47.3)	-	0.32 (79.7)	0.44 (109.6)	0.55 (137.0)
		950 (448)		0.20 (49.8)	-	0.35 (87.2)	0.47 (117.0)	0.59 (146.9)
		1000 (472)		0.21 (52.3)	-	0.37 (92.1)	0.5 (124.5)	0.63 (156.9)
		1050 (496)		0.23 (57.3)	-	0.39 (97.1)	0.53 (132.0)	0.68 (169.3)
		1100 (519)		0.24 (59.8)	-	0.42 (104.6)	0.57 (141.9)	0.71 (176.8)
		1150 (543)		0.26 (64.7)	-	0.44 (109.6)	0.60 (149.4)	0.75 (186.8)
		1200 (566)		0.27 (67.2)	-	0.47 (117.0)	0.63 (156.9)	0.80 (199.2)
		1250 (590)		0.28 (69.7)	-	0.49 (122.0)	0.67 (166.8)	0.84 (209.2)

Table 8. Spare parts list

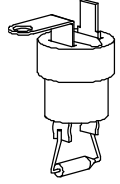
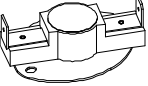
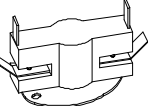
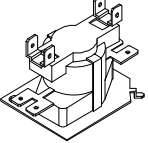
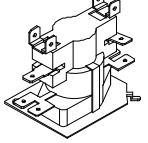
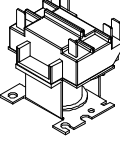
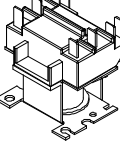
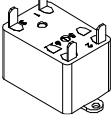
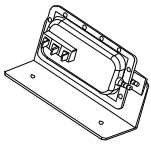
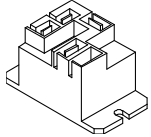
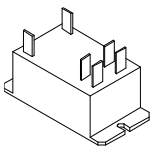
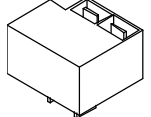
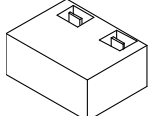
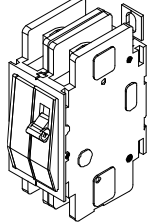
Drawing	Part Number	Description	Revision	Furnace Model (where used)
	A00257-001	Fuse Link, 152°C	All Revisions	All WUN models
	A00257-002	Fuse Link, 121°C	All Revisions	All WON models
	A01011-001	Auto-Limit, L145	All Revisions	All WON models
	A01011-004	Auto-Limit, L165, 1-pole	All Revisions	WON0202, WON0502, WON1502, WON0504, WON0754, WON1004, WON1504
	A01011-002	Auto-Limit, L165, 2-pole	All Revisions	WON0752, WON1002, WON1502, WON2002, WON0504, WON0754, WON1004, WON1504
	A01012-001	Sequencer, 1- pole	Original (No Revision)	WON0502, WON1502, WON0504, WON0754, WON1004
	A01012-002	Sequencer, 2- pole	Original (No Revision)	WON0752, WON1002, WON1502, WON2002, WON1504
	A01013-001	Contactator, 1-pole	All Revisions	WON0202, WON0502, WON0752, WON1002, WON1502, WON2002, WON1504
	A01013-002	Contactator, 2-pole	All Revisions	WON2002, WON0504, WON0754, WON1004, WON1504
	A00802-003	Fan Interlock Relay	All Revisions	All WON models

Table 8 (cont.). Spare parts list

Drawing	Part Number	Description	Revision	Furnace Model (where used)
	A01673-001	Air Pressure Switch	All Revisions	All WON models
	A01484-001	Relay, DC, 1-pole (Requires A01485 rectifier)	A, B, C	WON0202-A/B/C, WON0502-A/B/C, WON1502-A/B/C, WON2002-A/B/C, WON0504-A/B/C, WON0754-A/B/C, WON1004-A/B/C
	A01484-002	Relay, DC, 2-pole (Requires A02141 rectifier)	C	All WON models
			A, B	WON0752-A/B, WON1002-A/B, WON1502-A/B, WON2002-A/B, WON1504-A/B
Mates with A01484-001 	A01485-001	Rectifier, 5-sec, 3/16" (CRR9-5)	C	All WON models
	A01485-003	Rectifier, 9-second (CRR9-9)	A, B	WON0202-A/B, WON0502-A/B, WON0504-A/B, WON0754-A/B, WON1004-A/B
			A, B	WON1502-A/B, WON2002-A/B
 Mates with A01484-002	A02141-001 (formerly A01485-002)	Rectifier, 5-sec, 1/4", (CRR8-5)	C	All WON models
	A02141-003	Rectifier, 9-sec (CRR8-9)	A, B	WON0752-A/B, WON1002-A/B, WON1502-A/B, WON2002-A/B, WON1504-A/B
			C	WON0752-C, WON1002-C, WON1502-C, WON2002-C, WON1502-C, WON2002-C
	A02141-005	Rectifier, 18-sec (CRR8-18)	C	WON1502-C, WON2002-C
	A01051-215	Circuit Breaker, 2-pole, 15A	All Revisions	All WON models
	A01051-220	Circuit Breaker, 2-pole, 20A	Original, A, B	WON0202
	A01051-225	Circuit Breaker, 2-pole, 25A	C	WON0502-C
	A01051-230	Circuit Breaker, 2-pole, 30A	C	WON1502-C
	A01051-235	Circuit Breaker, 2-pole, 35A	Original, A, B	WON0502, WON0502-A/B
	A01051-240	Circuit Breaker, 2-pole, 40A	C	WON0752-C
	A01051-250	Circuit Breaker, 2-pole, 50A	C	WON2002-C
			A, B	WON1002-A/B
A01051-260	Circuit Breaker, 2-pole, 60A	A, B	WON1002-A/B, WON2002-A/B	
	A01051-325	Circuit Breaker, 3-pole, 25A	Original (No Revision)	WON0504
	A01051-335	Circuit Breaker, 3-pole, 35A	Original (No Revision)	WON0754
	A01051-340	Circuit Breaker, 3-pole, 35A	Original (No Revision)	WON1004

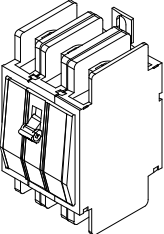
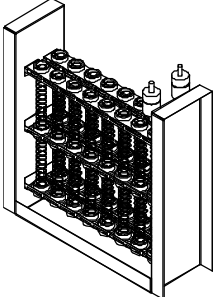
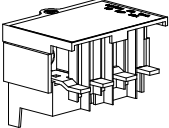
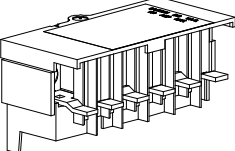
	A01051-360	Circuit Breaker, 3-pole, 35A	Original (No Revision)	WON1504
---	------------	------------------------------	------------------------	---------

Table 8 (cont.). Spare parts list

Drawing	Part Number	Description	Revision	Furnace Model (where used)
<p>Note: Single Element Section part numbers shown. Full Complete Stack's not listed</p>  <p>IL00489.cvx</p>	A02401-G01	Section, Element, Single, 3.75kW	Original (No Revision)	WON0752, WON0752E
	A02401-G02	Section, Element, Single, 2.5kW	Original (No Revision)	WON0757E, WON2002, WON2002E
	A02401-G03	Section, Element, Single, 3.2kW	Original (No Revision)	WON1004
	A02401-G04	Section, Element, Single, 4.8kW	Original (No Revision)	WON1502, WON1502, WON2002, WON2002E
	A02401-G06	Section, Element, Single, 2.0kW	A	WON0202-A
	A02401-G07	Section, Element, Single, 3.75kW	A	WON0752-A, WON0752EA
	A02401-G08	Section, Element, Single, 4.8kW	A	WON0502-A, WON0502EA, WON1002-A, WON1002EA, WON1502-A, WON1502EA, WON2002-A, WON2002EA
	A02401-G11	Section, Element, Single, 2.0kW	B, C	WON0202-B, WON0202-C
	A02401-G12	Section, Element, Single, 3.75kW	B, C	WON0752-B, WON0752EB, WON0752-C, WON0752EC
	A02401-G13	Section, Element, Single, 4.8kW	B, C	WON0502-B, WON0502EB, WON1002-B, WON1002EB, WON1502-B, WON1502EB, WON2002-B, WON2002EB, WON0502-C, WON0502EC, WON1002-C, WON1002EC, WON1502-C, WON1502EC, WON2002-C, WON2002EC
	A01241-001	Jumper Bar, 4-pole	C	All WON models
	A01241-002	Jumper Bar, 6-pole	C	WON1502-C, WON2002-C

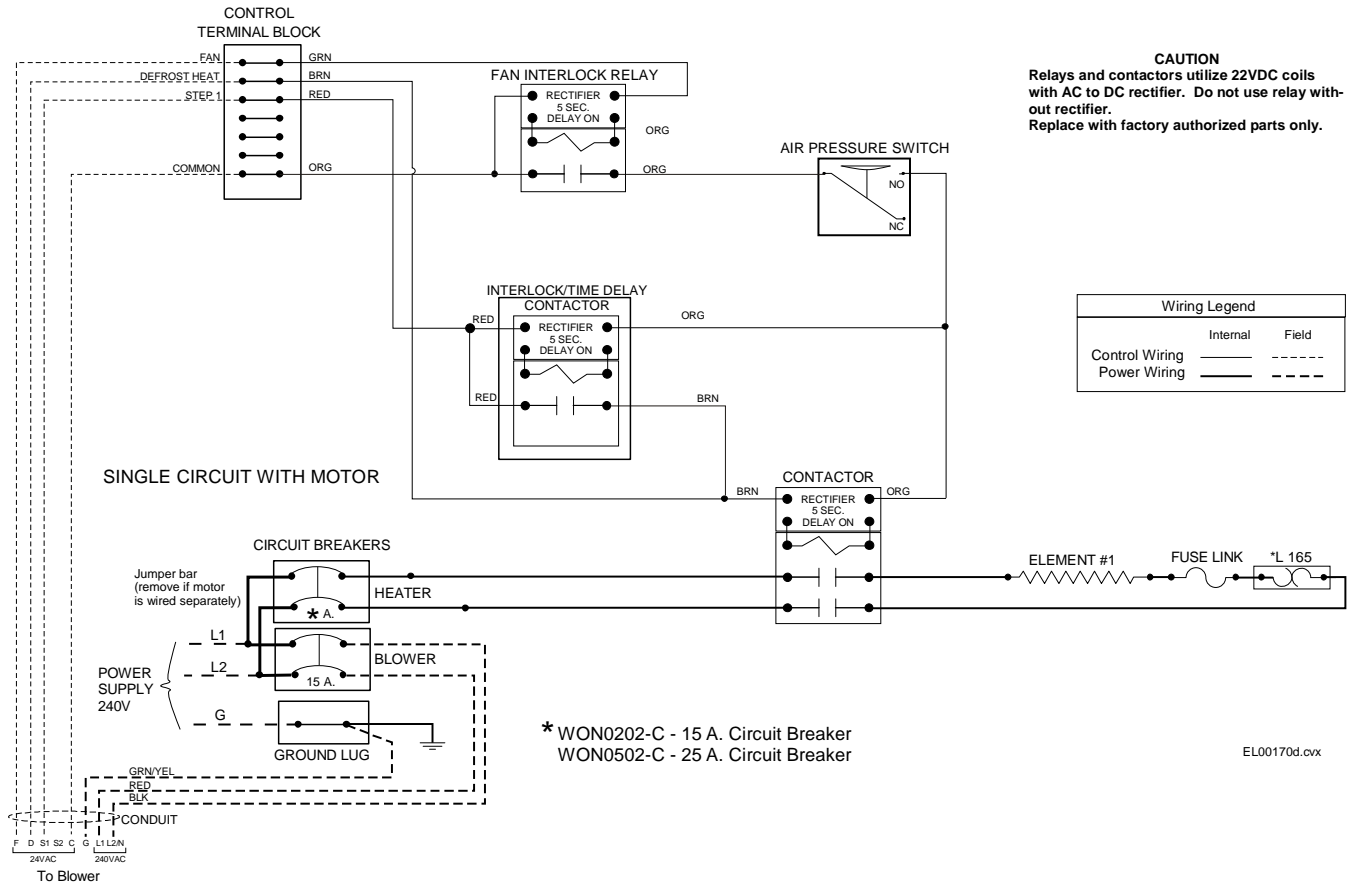


Figure 17. Internal Wiring Diagram for WON0202-C, and WON0502-C. (Single phase)

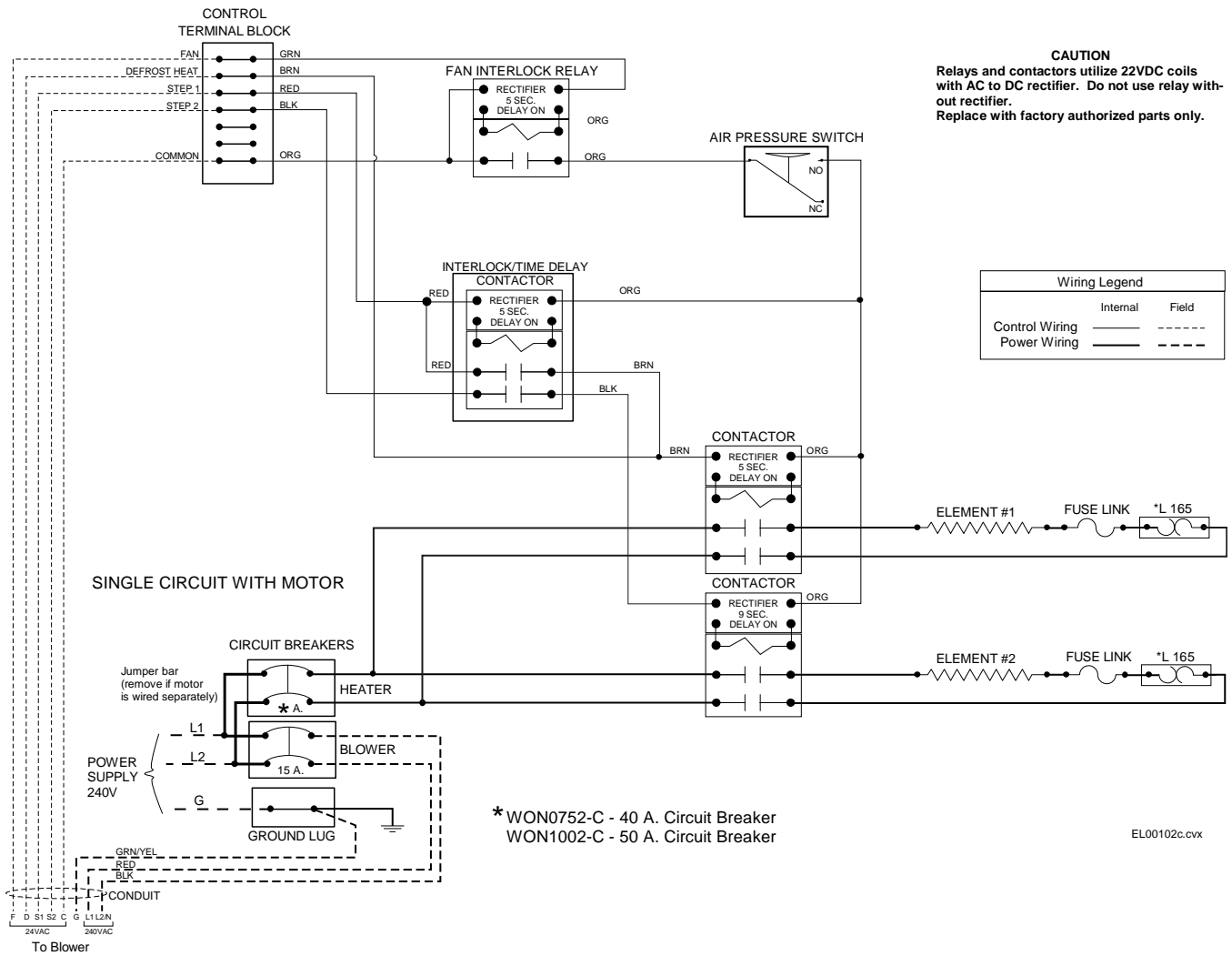


Figure 18. Internal Wiring Diagram for WON0752-C and WON1002-C. (Single phase)

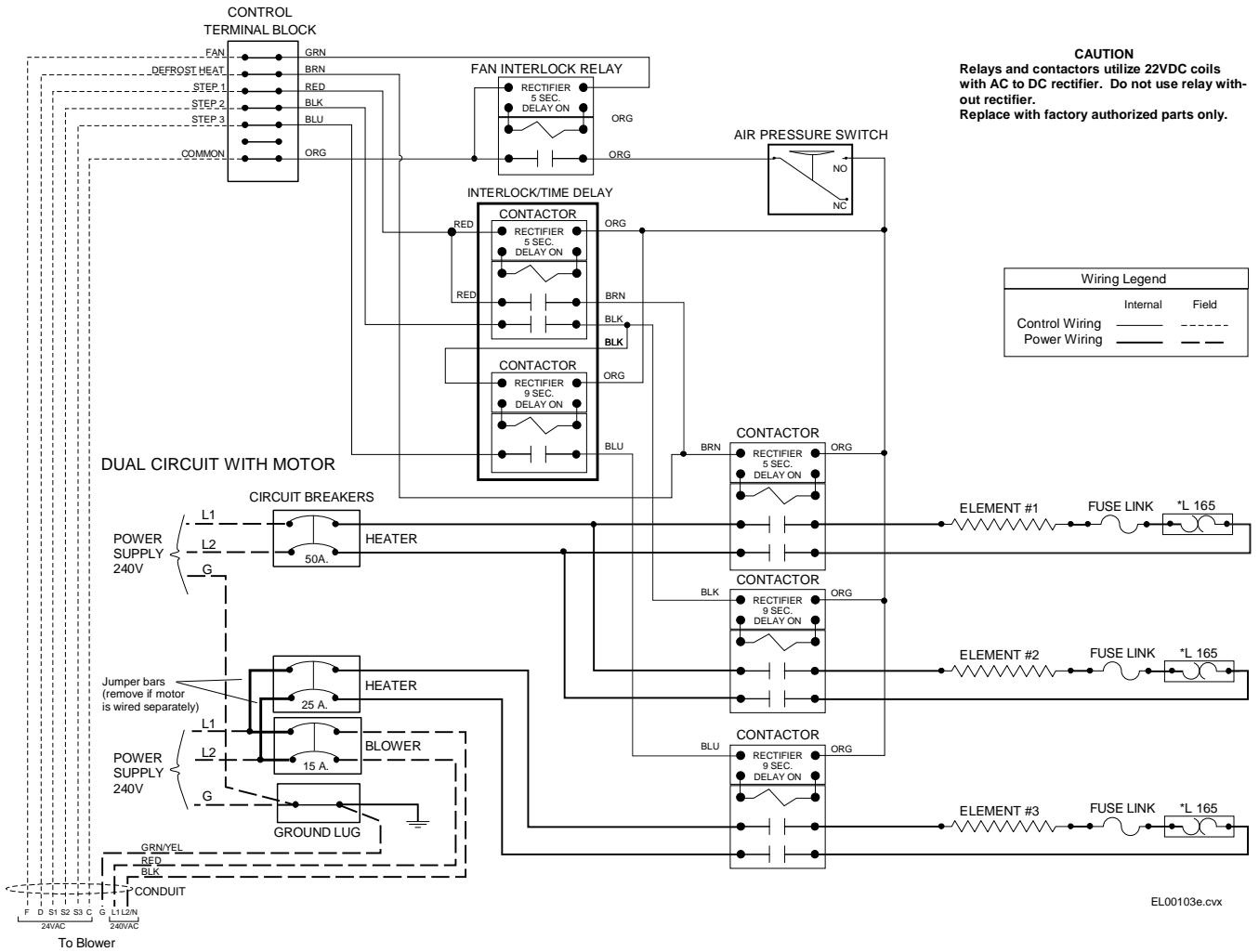


Figure 19. Internal Wiring Diagram for WON1502-C. (Single phase)

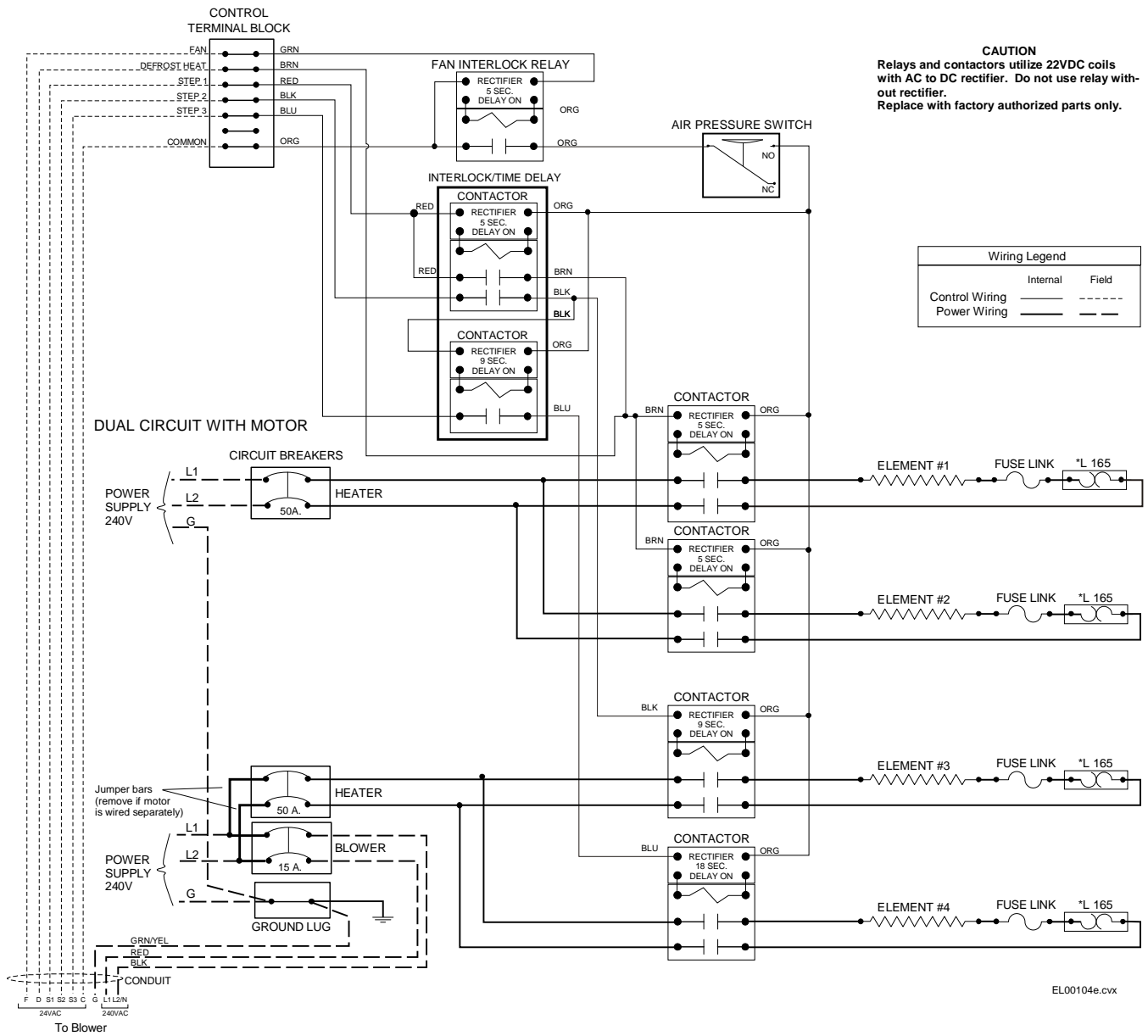


Figure 20. Internal Wiring Diagram for WON2002-C. (Single phase)

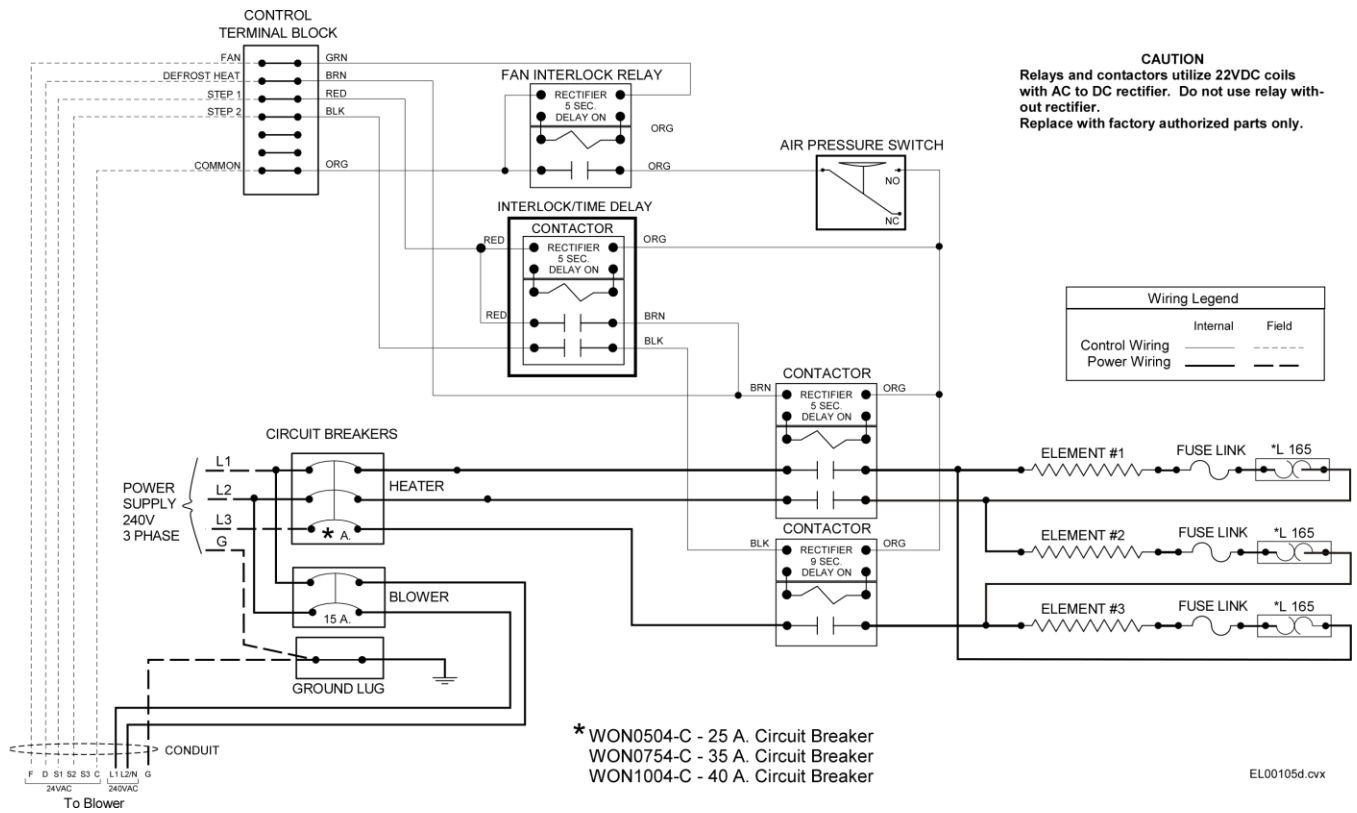
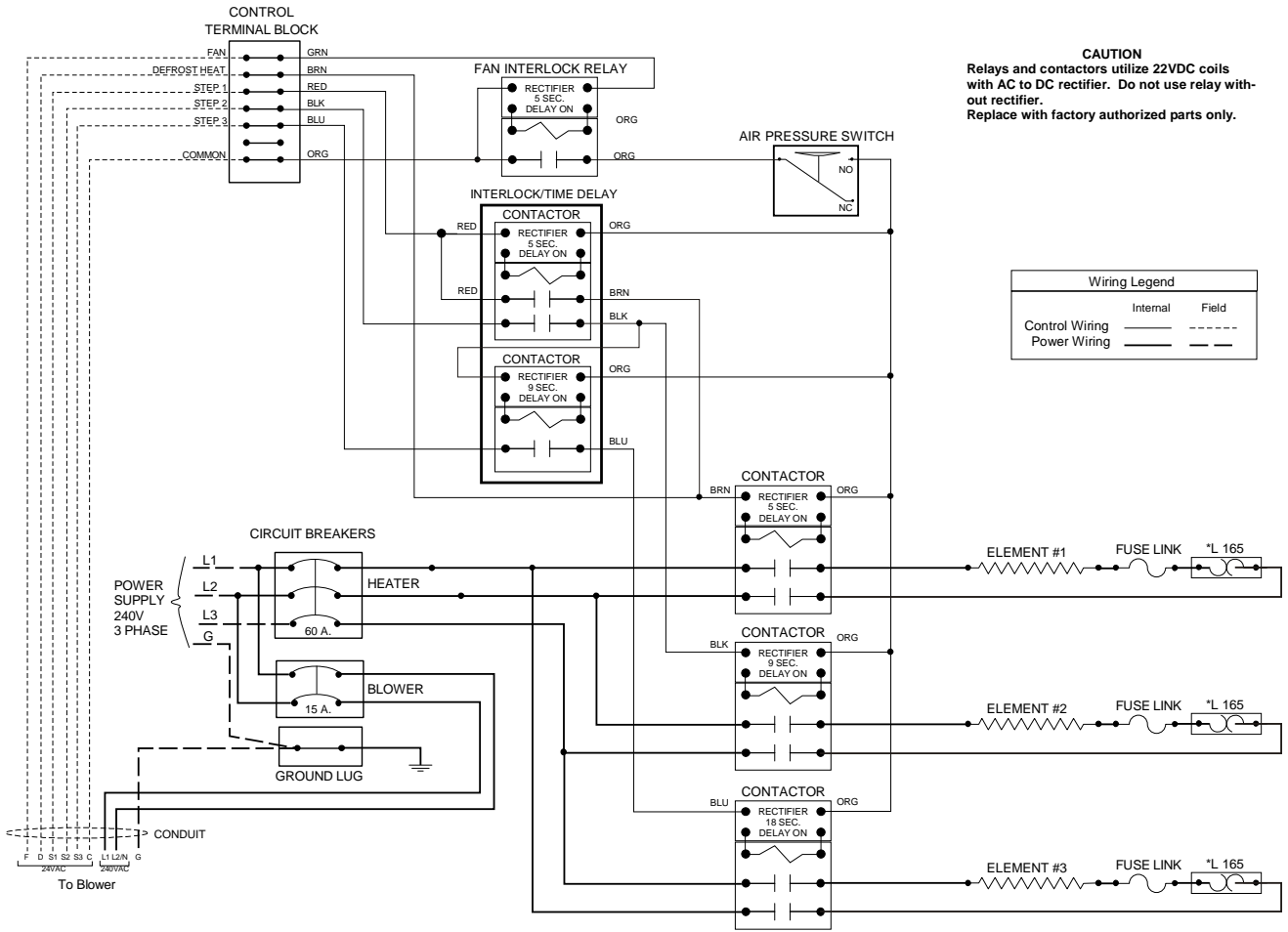


Figure 21. Internal Wiring Diagram for WON0504-C, WON0754-C, and WON1004-C (3 Phase)

WON1504-C



EL00106f.cvx

Figure 22. Internal Wiring Diagram for WON1504-C (3 Phase)