

For: File Resubmit Approval Other _____

M4860CL1-C 5-ton SDHV Modular Chilled Water Coil

Job Name:	Location:
Date:	Tag #:
Architect:	Engineer:
Mechanical:	Distributor:
Rep:	
(Company)	(Project Manager)



M4860CL1-C

EZ Trap

Features

- Modular construction
- Multiple configurations
- Painted options available
- Enhanced Aluminum fins
- Copper tubes
- Stainless steel drain pan
- Includes:
 - EZ trap (shipped loose)
 - Spacer module

Matching Modules

M4860BL1-EC1
M4860BL1-EC2
M4860BL1-ST2
M4860CL1-H

Indoor Unit Size

4860

Operating Range:

Nominal Capacity	4.0 to 5.0-ton (14.0 to 19.3 kW)
Airflow Range	300 to 1400 CFM (510 to-2379 m ³ /h)

General Data:

Net coil face area	7.44 ft ² (0.69 m ²)
Tube diameter	3/8 in. (9.52 mm)
Number of rows	4
Fin density	15.5/in. (610/m)
Design pressure	500 psig (3.45 MPa)
Refrigerant type	Water
Connection size	7/8" OD
Drain size	3/4" FPT
Net unit weight	113 lbs. (51 kg)
Shipping Weight	121 lbs. (55 kg)
Dimensions (H x W x D)	17.5 x 30 x 14 in. (445 x 965 x 457 mm)

Optional Accessories:

- Hot water coil heating module (*M4860CL1-H*)
- Return air module with filter (*M4860R1*)
- Vertical base module with filter (*M4860V2*)
- Secondary drain pan, 2 module (*UPC-24C*)
- Secondary drain pan, 3 module (*UPC-24D*)
- Supply duct adapter, round (*UPC-61-4860*)
- Supply duct adapter, square (*UPC-62-4860*)
- Return adapter (*UPC-104-4860*)

Notes:

1. All wiring and piping must comply with the applicable local and national code.
2. Refer to installation manual for more information.

Model Number Key (available models):

M	4860	C	L	1	-	C	W1
Model Series	Nominal Capacity	Module Type	Configuration	Revision		Style	Options
M =Modular	4860 = 48000 to 60000 Btu/hr	C = Coil	L = Left R = Right			C = Chilled Water	W1 = Paint White T = Technicote

M4860CL1-C

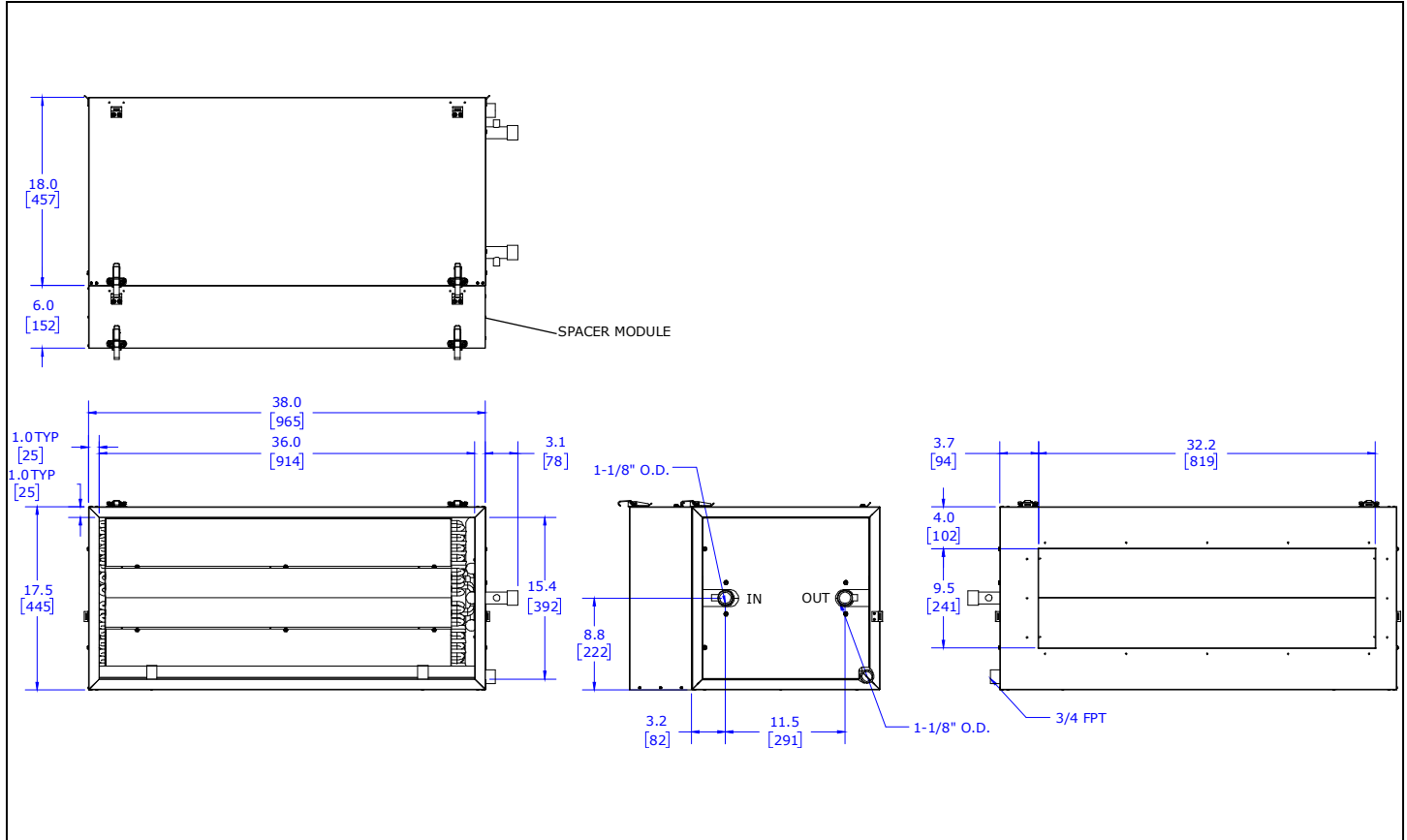
Job Name:

Location:

Date:

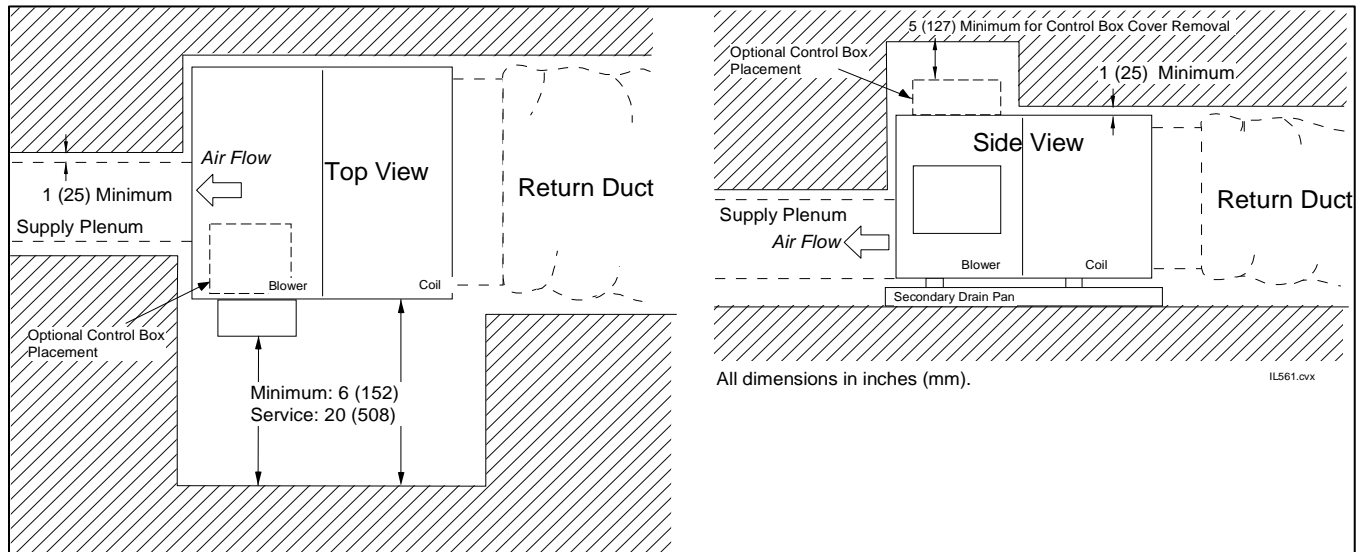
Tag #:

CHILLED WATER COIL MODULE DIMENSIONS (LEFT HAND)



* Contact Unico for dimensions of assembled modules or for right hand dimensions

Installation Clearances



Unico, Inc.

<http://www.unicosystem.com>

314-481-9000

800-527-0896

sales@unicosystem.com



Note – for continuous product improvement, Unico reserves the right to change specifications without notice.

© 2023 Unico, Inc., Arnold, MO. "Unico System" is a registered trademark of Unico, Inc.

SB-M4860CL1-C.001 (20231108)

Page 2 of 2