

For: File Resubmit Approval Other _____

M1218CL*-E

1.5-ton SDHV Modular Refrigerant Heat Pump and Air-conditioning Coil

Job Name:	Location:
Date:	Tag #:
Architect:	Engineer:
Mechanical:	Distributor:
Rep:	
(Company)	(Project Manager)



Features

- Modular construction
- Multiple configurations
- Use as cooling only or heat pump
- Painted options available
- Enhanced Aluminum fins
- Copper tubes
- Stainless steel drain pan
- Includes:
 - TXV (shipped loose)
 - EZ trap (shipped loose)
 - Anti-frost switch

Matching Modules
M1218BL1-EC1
M1218BL1-EC2
M1218BL1-ST2
M1218CL1-H

Indoor Unit Size
1218

Operating Range:

Nominal Capacity	1 to 1.5-ton (3.5 to 5 kW)
Airflow Range	100 to 500 CFM (170 to-850 m³/h)

General Data:

Compatible Outdoor unit nominal capacity	1 to 1.5-ton (3.5 to 5 kW)
Rated performance	see AHRI directory*
Net coil face area	1.17 ft² (0.11 m²)
Tube diameter	3/8 in. (9.52 mm)
Number of rows	6
Fin density	15/in. (590/m)
Design pressure	500 psig (3.45 MPa)
Refrigerant type	R410A, R22, R407C
Suction line size	5/8 in. (15.88 mm) OD
Liquid line size	3/8 in. (9.52 mm) OD
Drain size	3/4" FPT
Net unit weight	52 lbs. (24 kg)
Shipping Weight	57 lbs. (26 kg)
Dimensions (H x W x D)	12 x 20 x 16.6 in. (305 x 514 x 421 mm)

* www.ahridirectory.org

Optional Accessories:

- Secondary drain pan (UPC-94)
- Return adapter (UPC-104-1218)

Notes:

1. All wiring and piping must comply with applicable local and national code.
2. Refer to installation manual for more information.
3. Refer to AHRI directory for compatible outdoor match and rated performance.

Model Number Key (available models):

M	1218	C	L	1	-	E	W1
Model Series	Nominal Capacity	Module Type	Configuration	Revision		Style	Options
M =Modular	1218 = 12000 to 18000 Btu/hr	C = Coil	L = Left R = Right	1 = Flare TXV 2 = Chatleff TXV		E = 6 rows	W1 = Paint White T = Technicote

M1218CL*-E

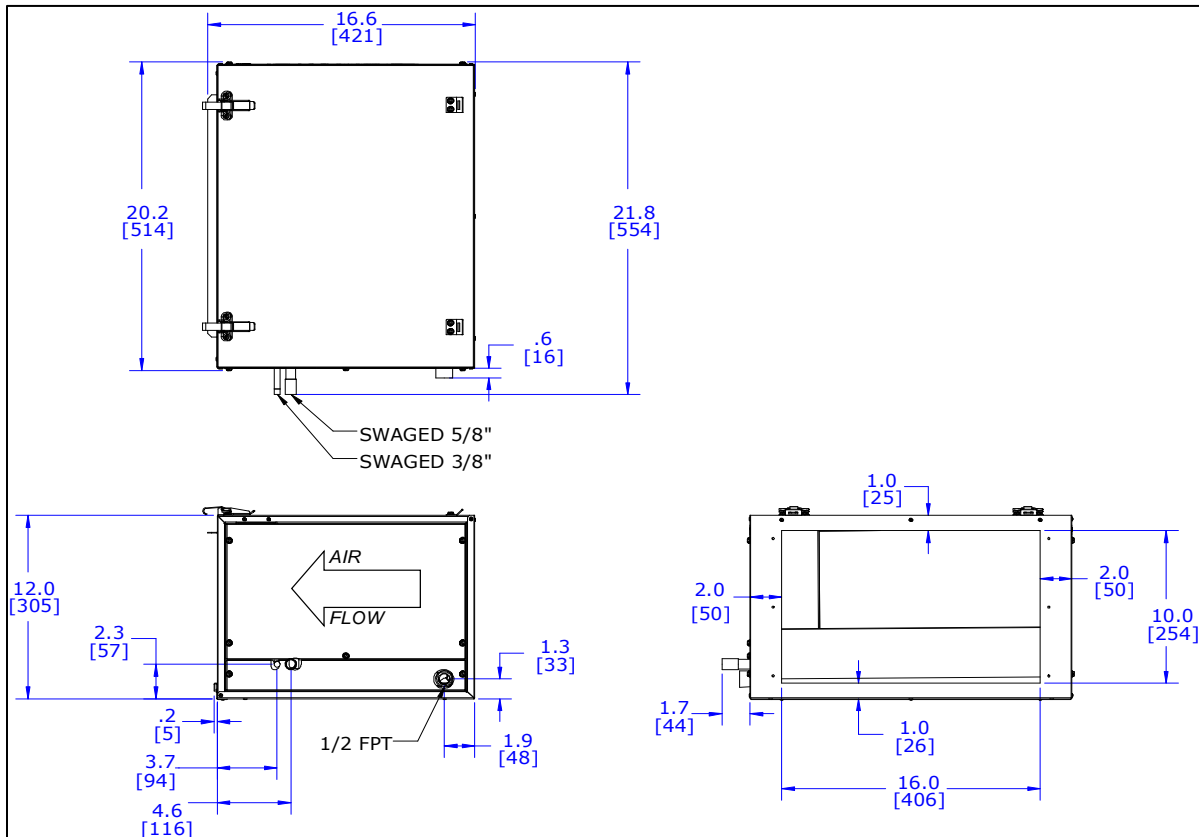
Job Name:

Location:

Date:

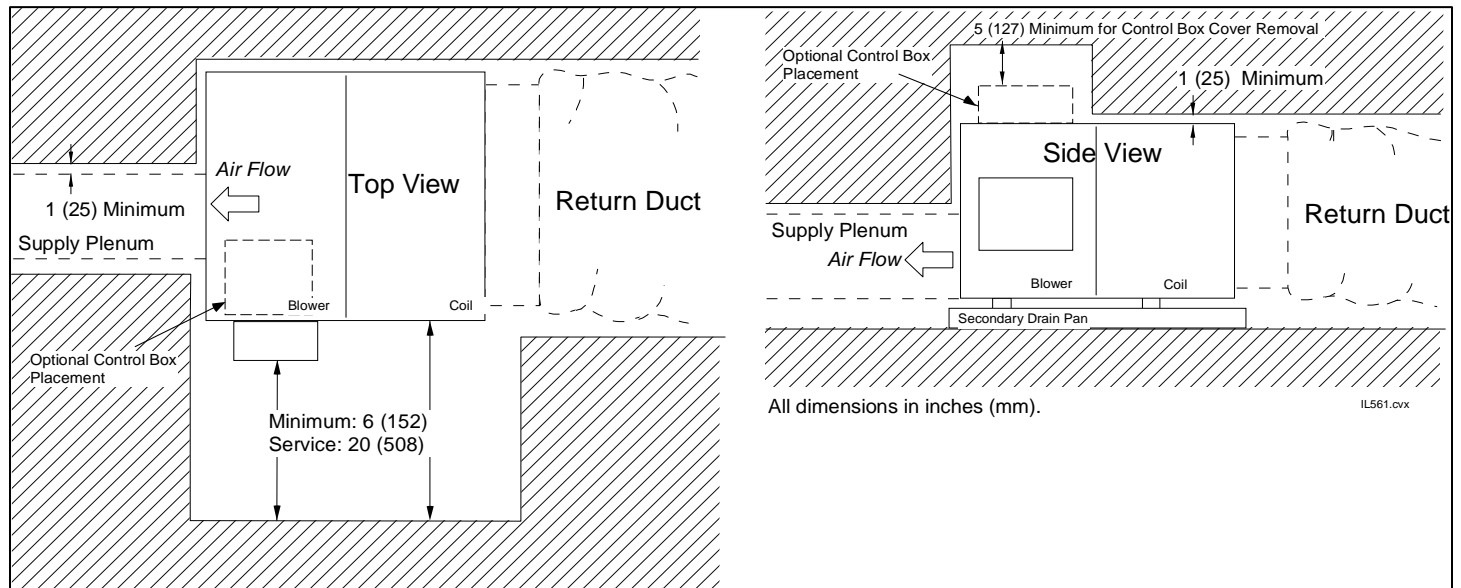
Tag #:

REFRIGERANT COIL MODULE DIMENSIONS (LEFT HAND)



* Contact Unico for dimensions of assembled modules or for right hand dimensions

Installation Clearances



Unico, Inc.
<http://tech.unicosystem.com>
 314-481-9000
 800-527-0896
sales@unicosystem.com



Note – for continuous product improvement, Unico reserves the right to change specifications without notice.
 © 2024 Unico, Inc., Arnold, MO. "Unico System" is a registered trademark of Unico, Inc.