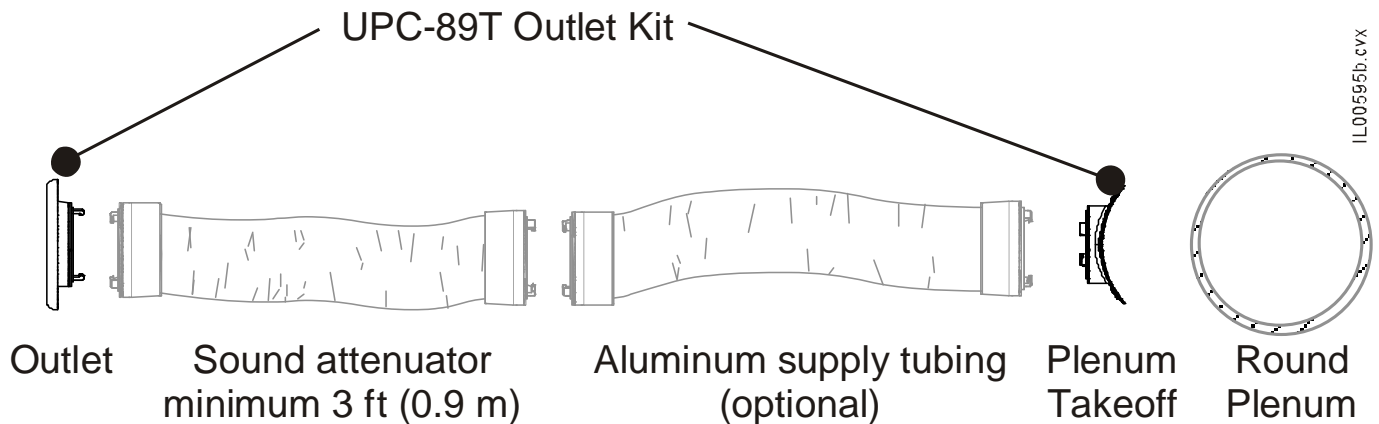


Twist Fit System® Outlet Kits (UPC-89T)



GENERAL

The Unico UPC-89T kits make it easy to purchase the parts needed to construct the 2-inch (50 mm) diameter small duct branch runouts. There are four basic kits for the different types of plenum duct being used as shown in the model key below. Each kit is available in kits for 1 or 6 runs.

The kit includes for each run:

- (1) round white supply outlet
- (1) plenum takeoff
- (1) winter shutoff cap
- (2) toggles and screws
- (2) nylon ties and clamps (only for the F and FR6)

Plus, each kit includes (2) extra Twist Fit System (TFS) gaskets should they be needed.

The kits do not include the duct (sound attenuator, aluminum supply tubing) or duct couplings.

The Twist-Fit System™ (TFS) provides fast and easy attachment of 2-inch supply duct from the plenum to the outlet.

Compatible Parts

Part No.	Description
UPC-26T	Sound attenuator, TFS
UPC-25T	Aluminum Supply Tubing, TFS

Model Key

UPC-89	T	M	-	1.
Unico Part Code 89 = Outlet Kit	Connector (blank) = none T = Twist Fit System	Takeoff Type F = Spin-in for 1 inch (50 mm) Fiberglass ductboard FR6 = Spin-in for 1.5 inch (38 mm) Fiberglass ductboard M = Flanged connector for curved (round) metal duct MF = Flanged connector for flat (rectangular) metal duct		Quantity Ea/Box 1 6

Twist Fit System is a registered trademark of Unico, Inc.
Note — Specifications, ratings, and dimensions subject to change without notice.

What's included:



UPC-89TF-1



UPC-89TF-6



UPC-89TFR6-1



UPC-89TFR6-6



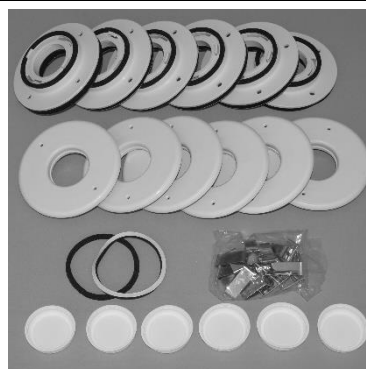
UPC-89TM-1



UPC-89TM-6



UPC-89TMF-1



UPC-89TMF-6