

For:  File  Resubmit  Approval  Other \_\_\_\_\_

## M3036V1 3-ton Vertical Return Plenum Module

Job Name:	Location:
Date:	Tag #:
Architect:	Engineer:
Mechanical:	Distributor:
Rep:	
(Company)	(Project Manager)



### Features

- Built in secondary drain pan with 3/4-inch socket connection
- Room for optional hot water coil with access from both sides
- Centrally located pleated filter
- Heavy-duty closed cell insulation (no exposed fiberglass insulation)
- Standard Unico System 'latch' system

### Matching Modules

M3036BL1-EC1/EC2  
M3036CL1-B  
M3036CL1-E  
M3036CL1-C  
M3036CL1-H

### Indoor Unit Size

# 3036

### General Data:

Dimensions (H x W x D)	18.25 x 30 x 17.5 in. (464 x 762 x 445 mm)
Total Return Opening	201 in <sup>2</sup> (0.13 m <sup>2</sup> )
Equivalent Return Opening Diameter	16 in (406 mm)
Filter Size	18 in x 30 in x 1 in (457 mm x 762 mm)
Maximum Airflow	900 CFM (425 L/s)
Maximum Velocity	350 FPM (1.78 m/s)
Initial Resistance	0.4 in. wg (100 Pa)

### Model Number Key (available models):

M	3036	V	1	1
Model Series	Nominal Capacity	Module Type	Revision	Paint Color
M = Modular	3036 = 30000 to 36000 Btu/hr	V = Vertical Return Plenum		None = Blank 1 = White

### Optional Accessories

- Hot water coil (HW-3036)
- Modular Variable Speed Air Handler (M3036BL1-EC\*)
- Secondary drain pan, 2 module (UPC-27B)
- Secondary drain pan, 3 module (UPC-27C)
- Return adapter (UPC-104-3036)

### Notes:

1. Refer to installation manual for more information.

# M3036V1

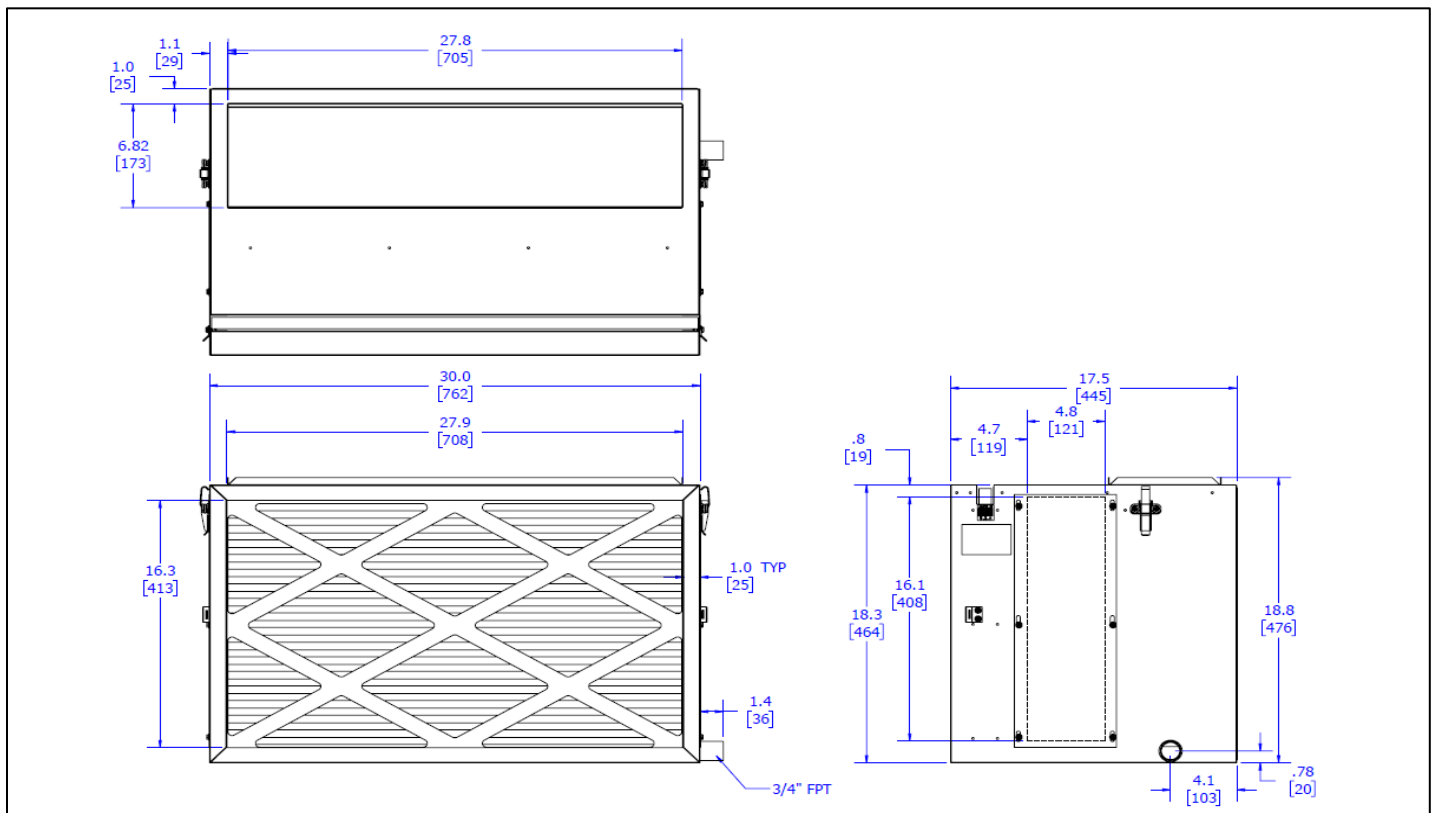
Job Name:

Location:

Date:

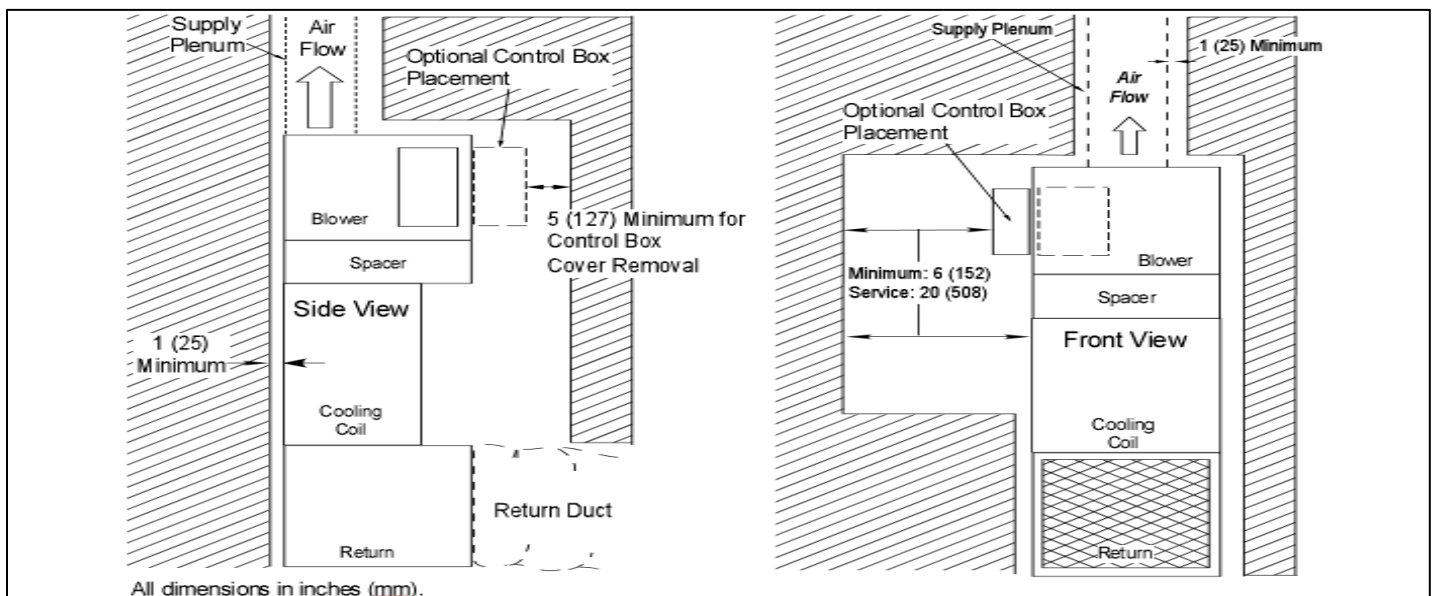
Tag #:

## RETURN AIR PLENUM MODULE DIMENSIONS



\* Contact Unico for dimensions of assembled modules.

## Installation Clearances



Unico, Inc.  
<http://tech.unicosystem.com>  
 314-481-9000  
 800-527-0896  
[sales@unicosystem.com](mailto:sales@unicosystem.com)



Note – for continuous product improvement, Unico reserves the right to change specifications without notice.

© 2017 Unico, Inc., Arnold, MO. "Unico System" is a registered trademark of Unico, Inc.

SB-M3036V1.001 (20170815)

Page 2 of 2