

UPC-63A / 64A Vertical Install Kit

Packing List

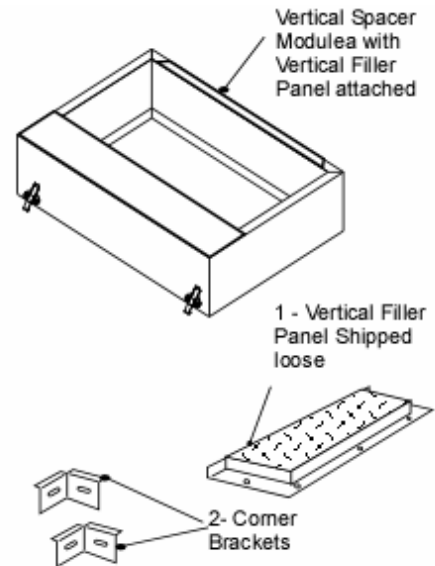
UPC-63A / 64A is shipped with:
 1-Vertical Spacer Module,
 2-Filler Panel
 2-L-shape corner brackets
 16-#10-16 x 1/2 screws
 Gasket as required.

General

The UPC-63A and UPC-64A are used for the vertical conversion of the 2430 and the 3642 modules when the MV modules are not used. UPC-63A and UPC-64A are not needed with the MC4860C and MC4860H because the spacer is shipped with those cooling modules. The vertical install kit is also not needed if a heating only application is used.

For Up-Flow heating and cooling applications, it is recommended that the MV module is used so that the heating coil is properly placed in the system. If the MV modules are not used, a field fabricated stand must be created for proper draining.

For Down-Flow applications, a UPC-63/64A is necessary for the 2430 and 3642 installed between the blower and coil. For combination heating and cooling applications, a second UPC-63/64A can be installed on top of the coil to accept a heating module. For cooling only applications, the UPC-63/64A can be used on top



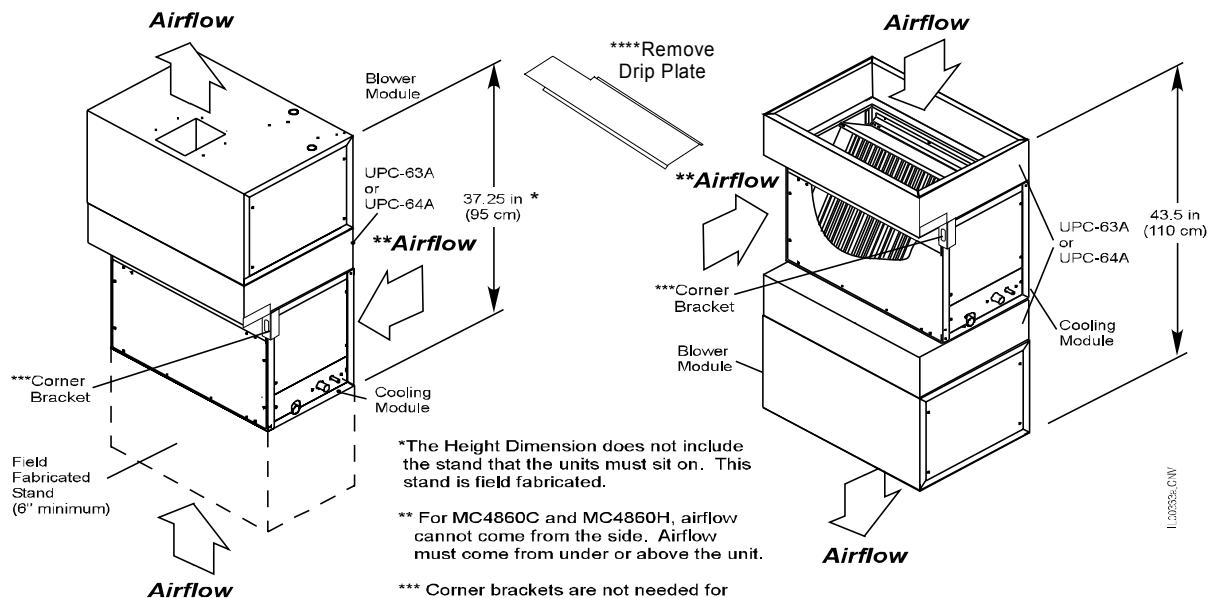
16 - #10-16 x 1/2 screws

IL00274a

UPC-63A / 64A

of the coil to mount a UPC-104 or a field fabricated return can be installed.

Previously the MH modules were used as a 12 inch spacer between the Blower Module and the Cooling Module. Now the 6 inch Vertical Spacer Module replaces the need for the MH2430/3660 Heating Module Cabinets.



*The Height Dimension does not include the stand that the units must sit on. This stand is field fabricated.

** For MC4860C and MC4860H, airflow cannot come from the side. Airflow must come from under or above the unit.

*** Corner brackets are not needed for 4860 modules.

**** Drip Plate MUST be removed for vertical installations

IL00274a-CW